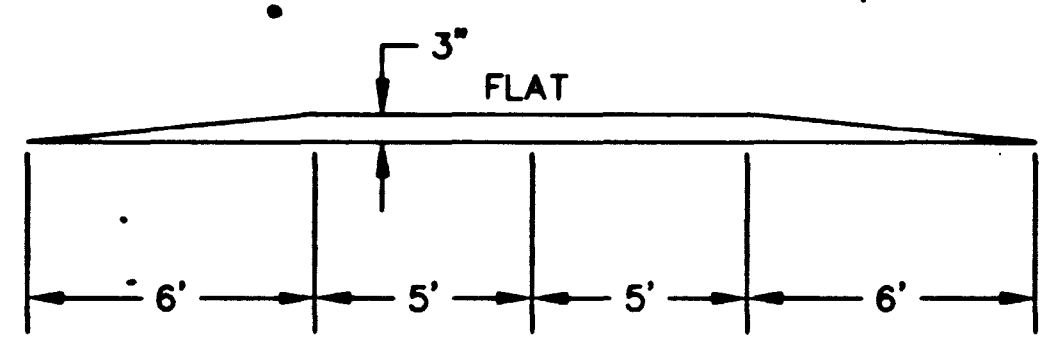
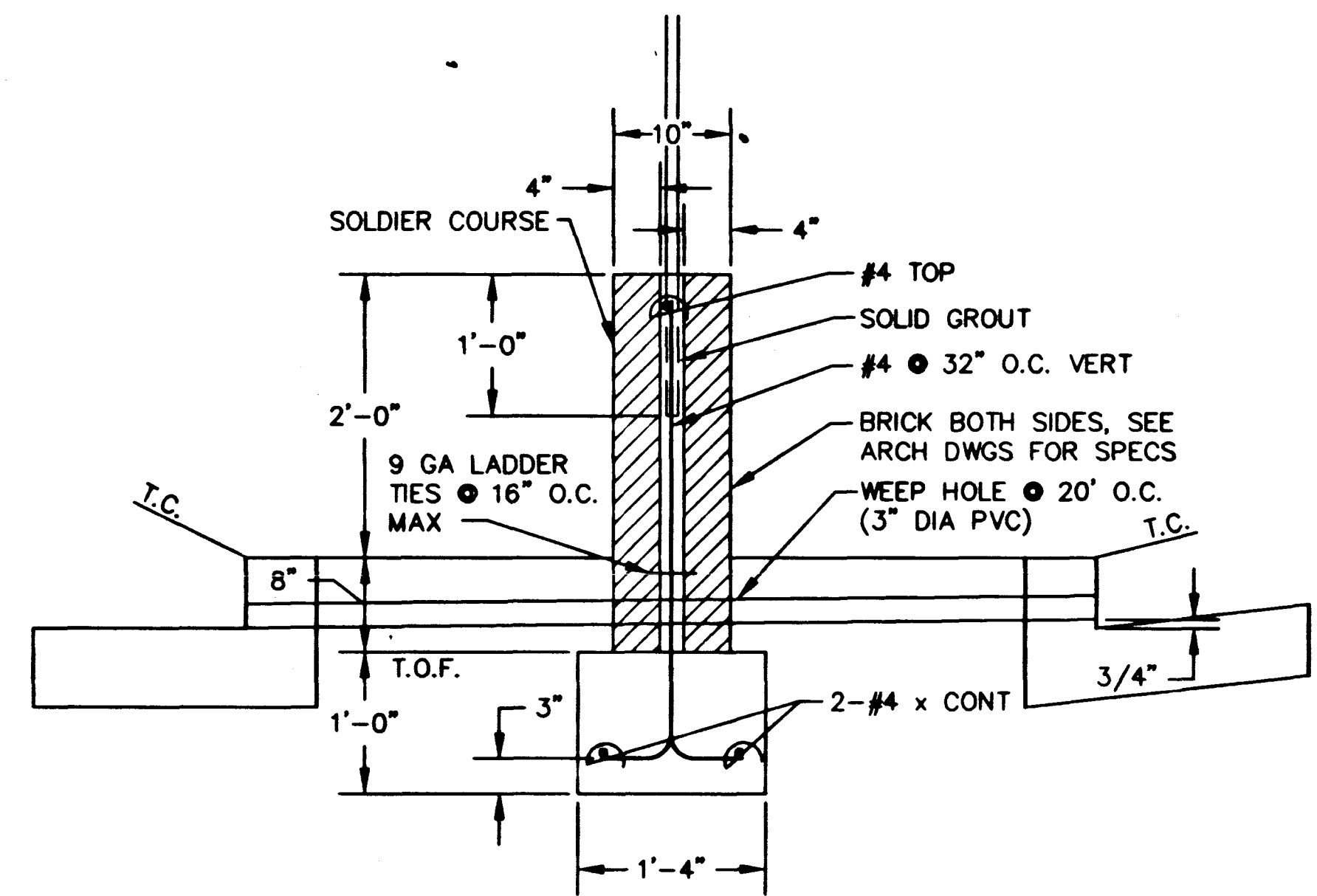


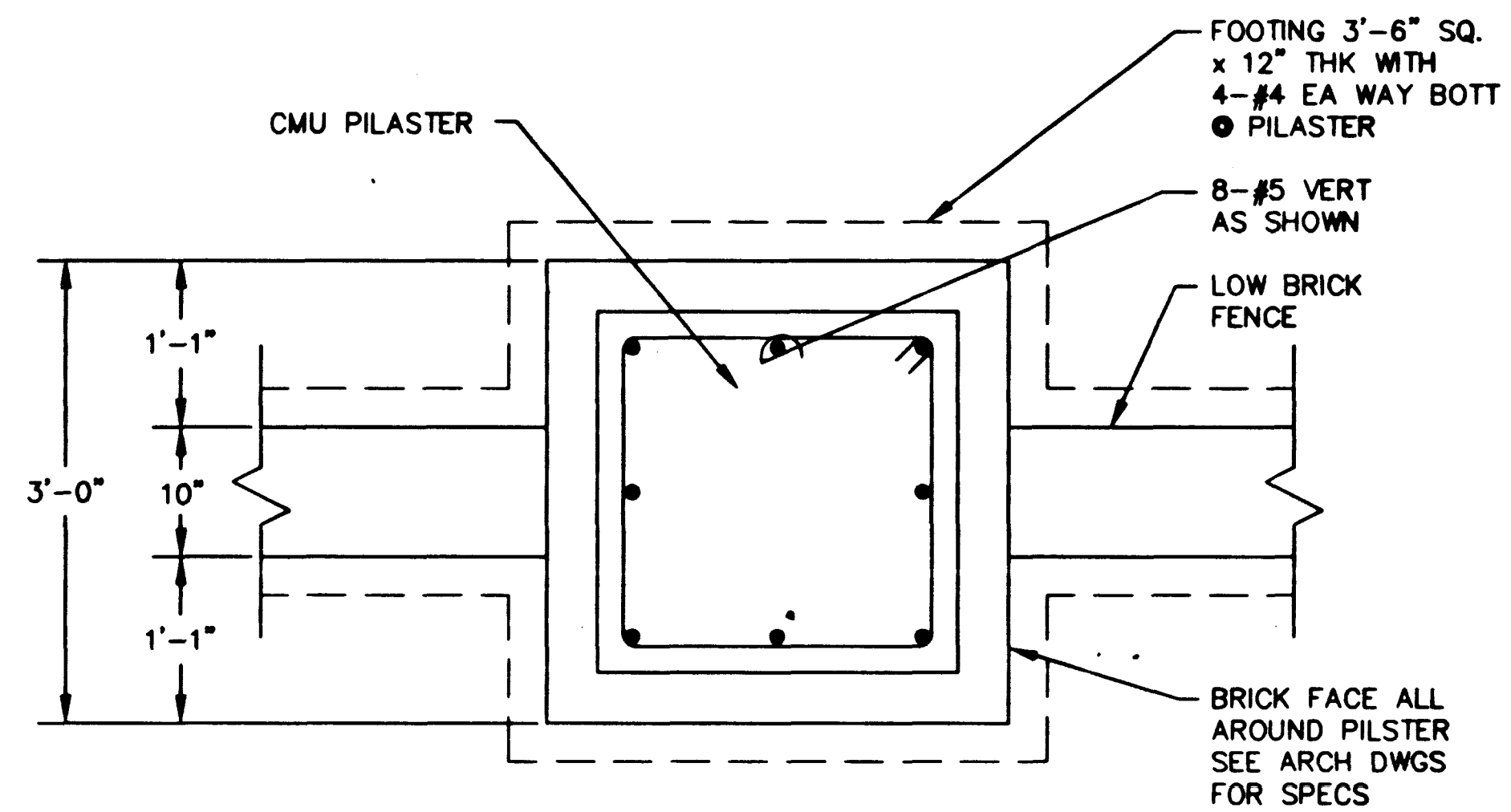
SPEED BUMP DETAIL
NTS



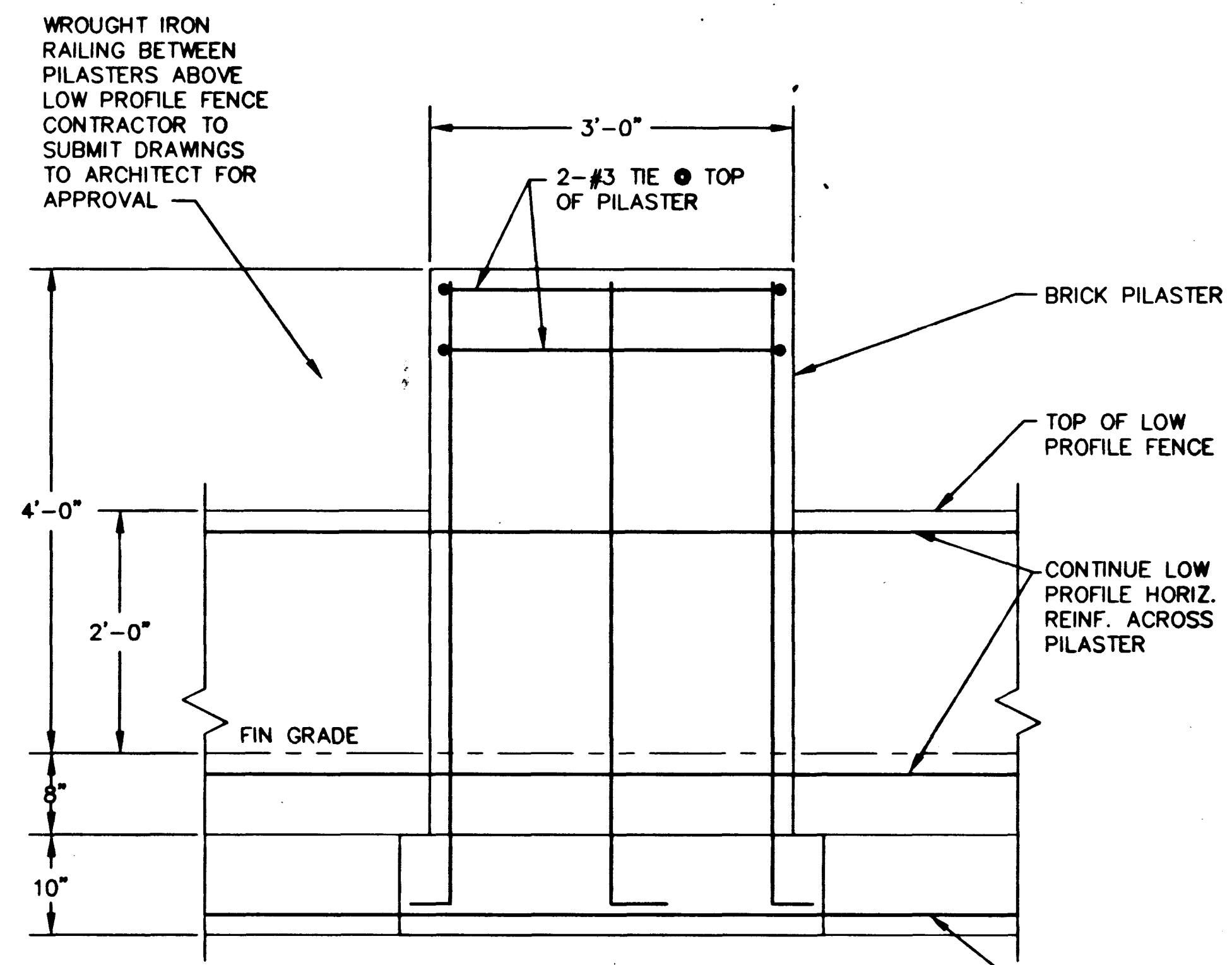
SPEED HUMP DETAIL
NTS



LOW PROFILE BRICK WALL SECTION
NTS

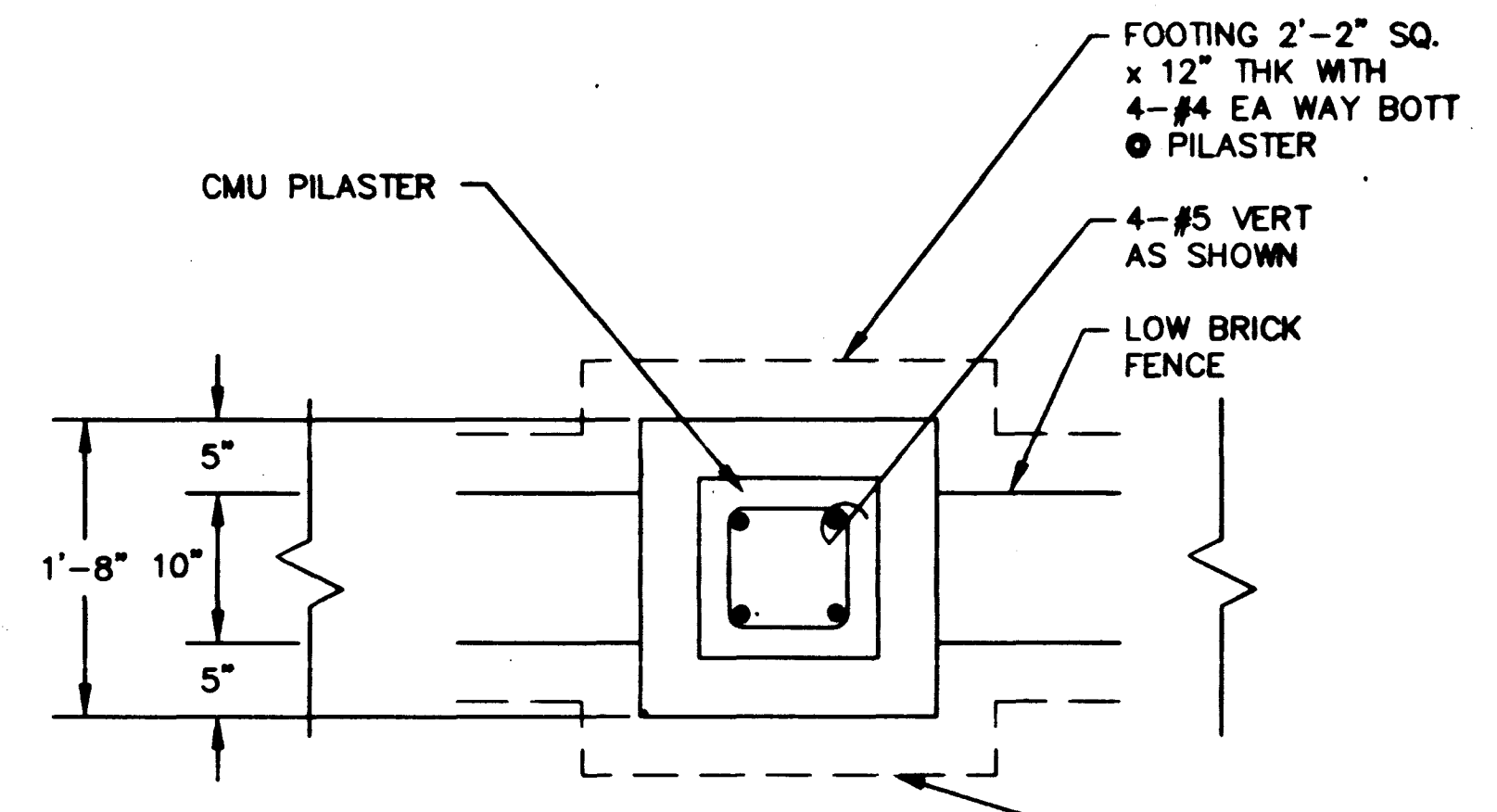


PLAN

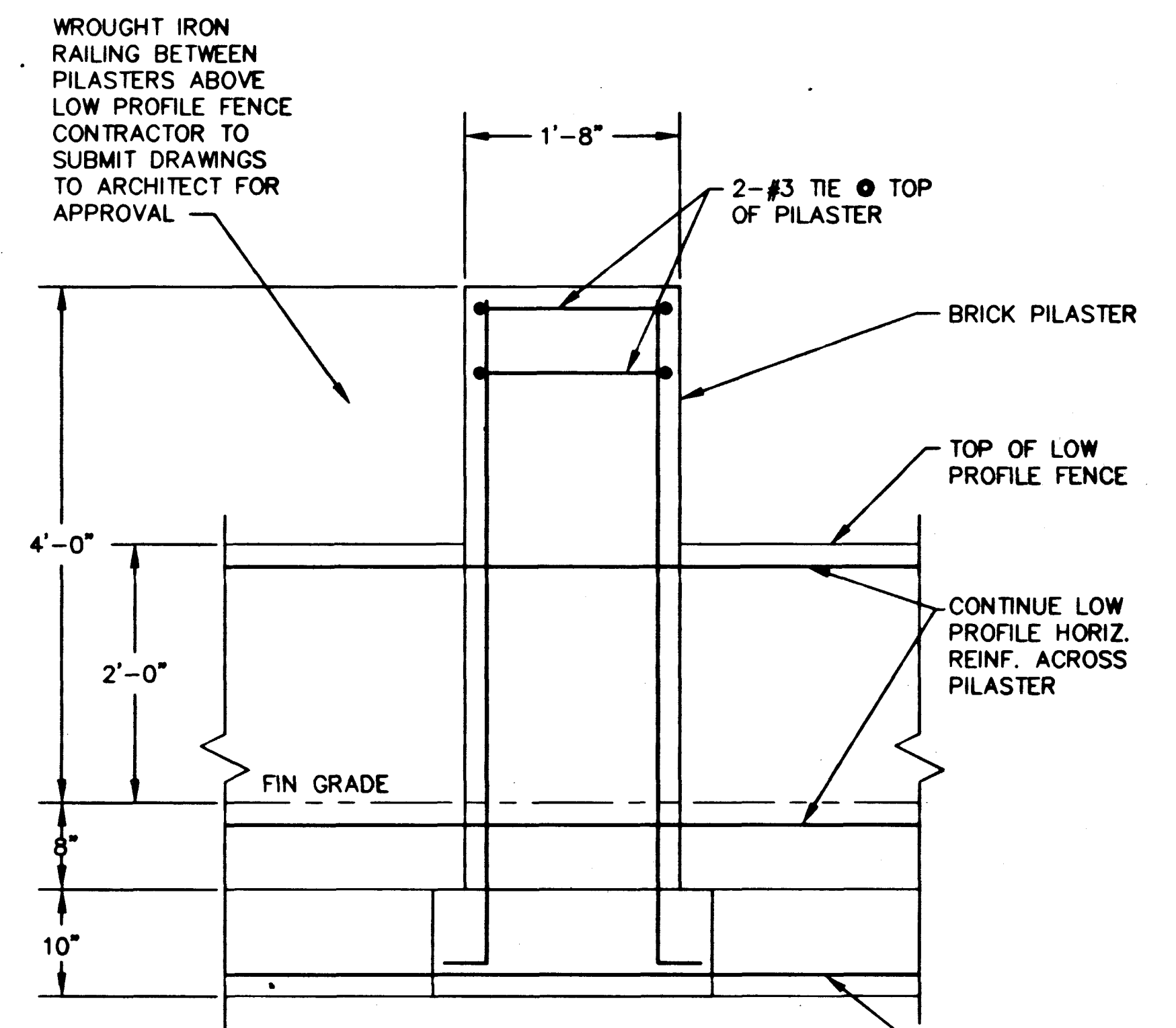


SECTION

LOW PROFILE BRICK WALL 3'-0" PLASTER
NTS

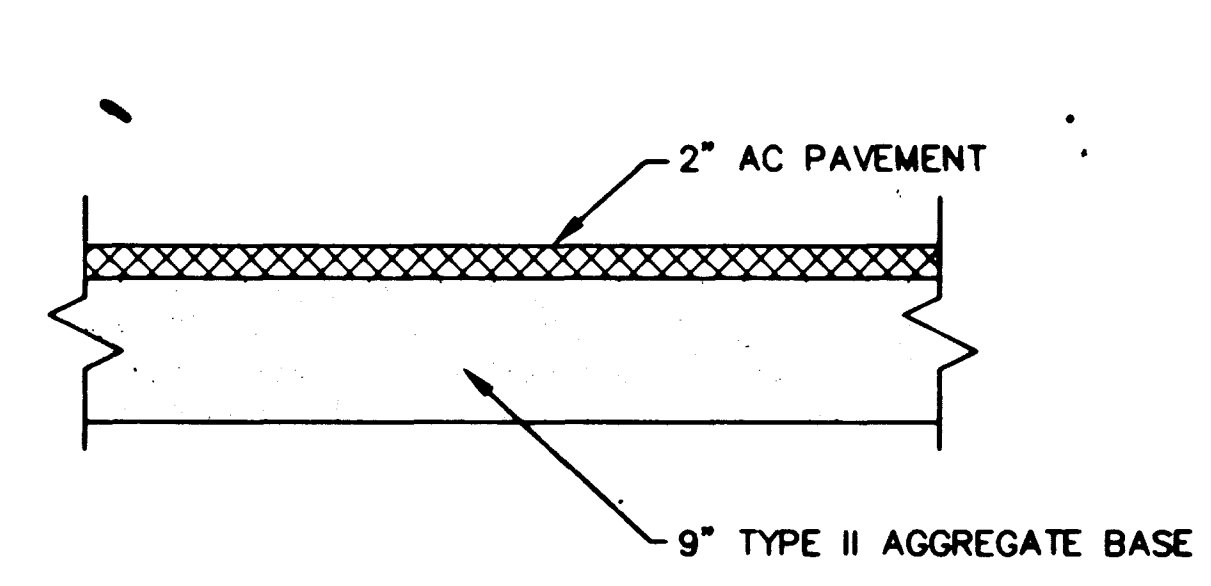


PLAN

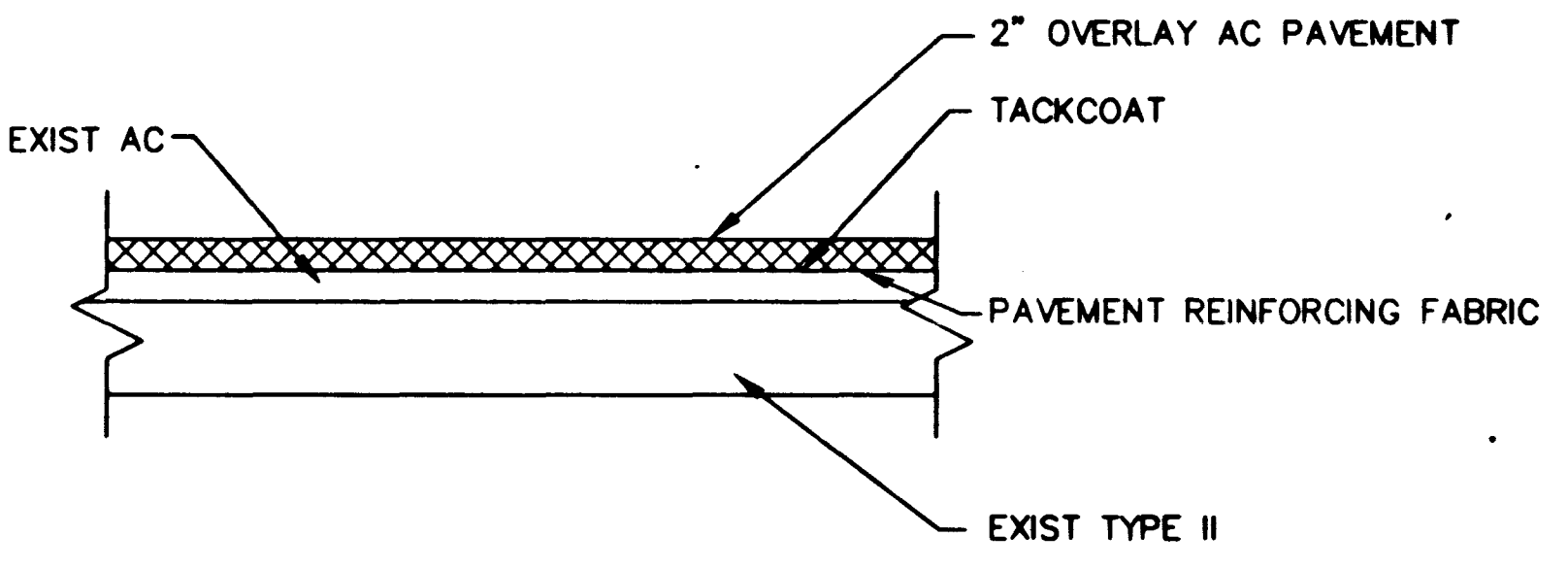


SECTION

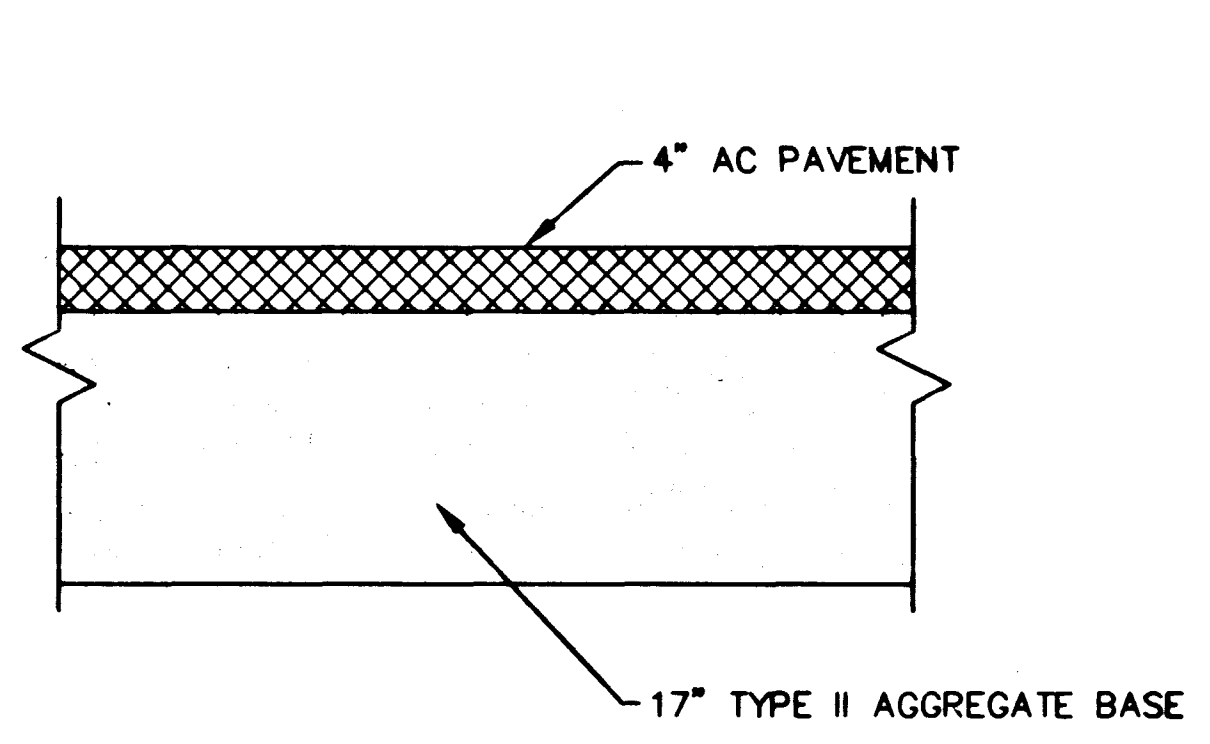
LOW PROFILE BRICK WALL 1'-8" PLASTER
NTS



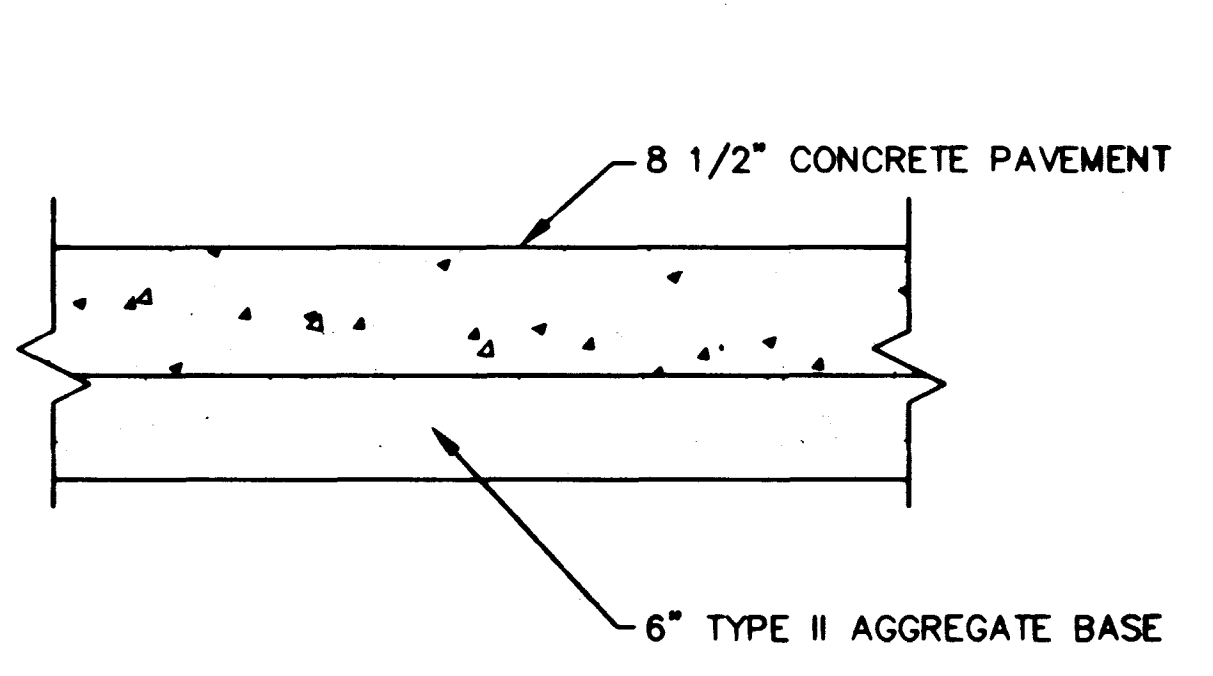
PAVEMENT SECTION A
NTS



PAVEMENT SECTION B
NTS



PAVEMENT SECTION C
NTS



PAVEMENT SECTION D
NTS

APPROVED
REVISIONS NO. DATE DESCRIPTION
NO. DATE
DOWNTOWN TRANSPORTATION CENTER REDESIGN MISCELLANEOUS DETAILS REGIONAL TRANSPORTATION COMMISSION
JOB NO. 5228 DATE: 03/30/98 HORIZ. SCALE: NONE VERT. SCALE: NONE DRAWN BY: LMW DESIGNED BY: JBA APPROVED BY: JBA DRAWING NO. 13 OF 29 D-1 OF D-2

I:\CAD\PLT_PS\13064\PLT\PS\13064.PLB\13064.DWG

