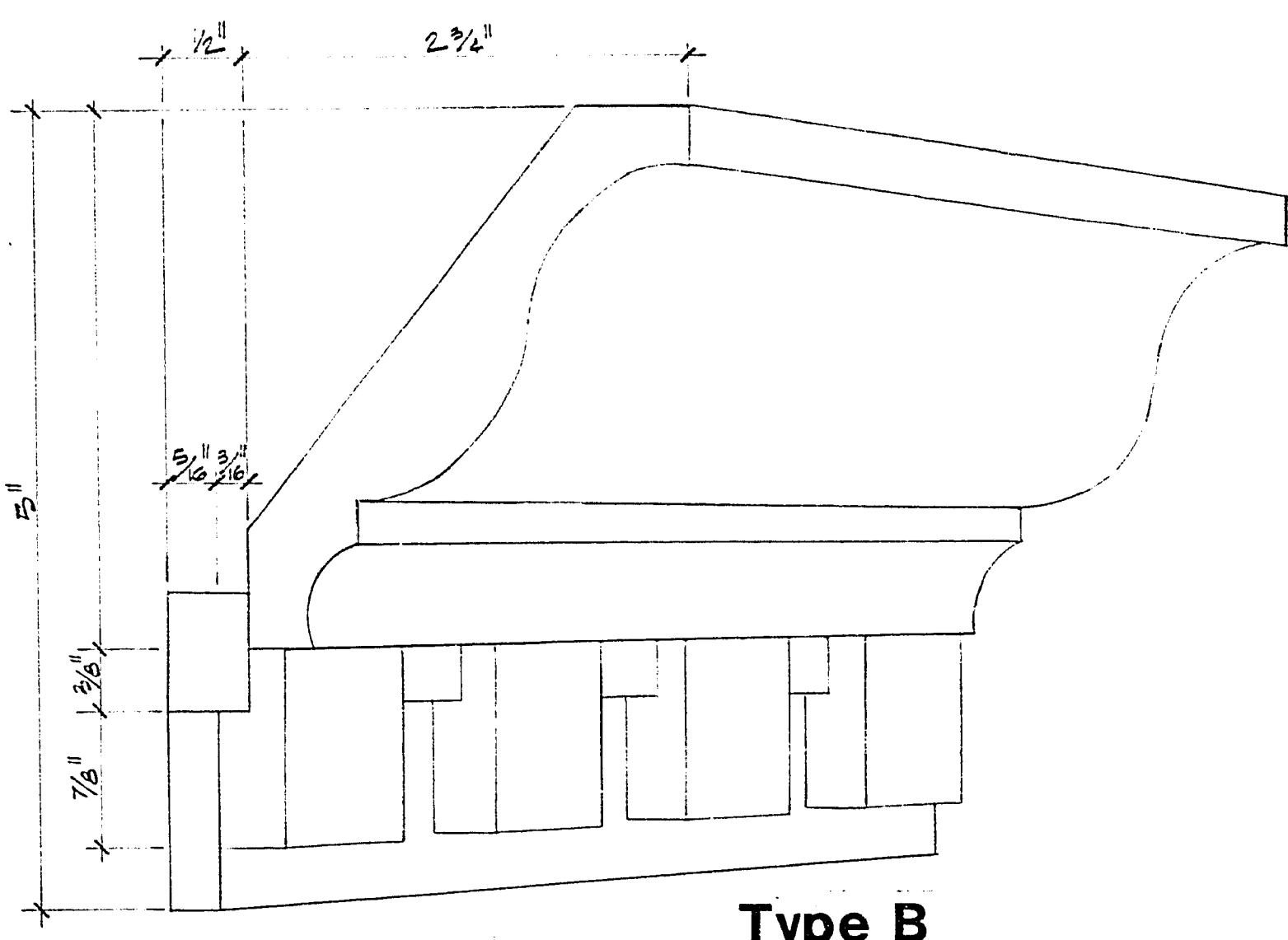
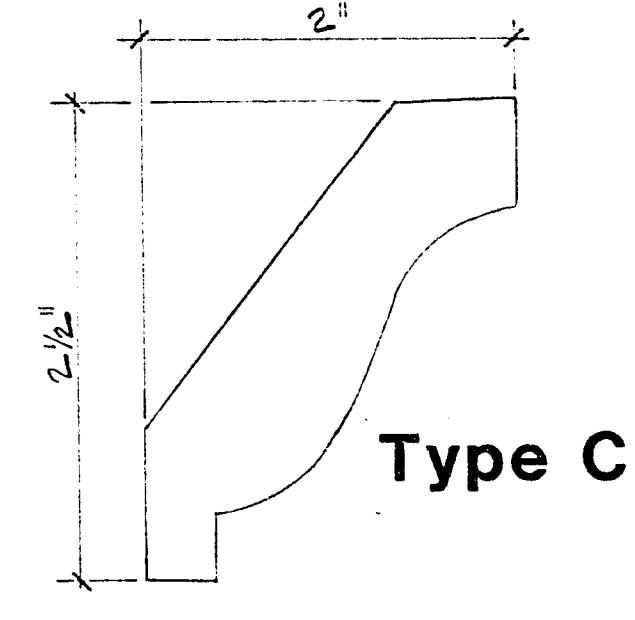


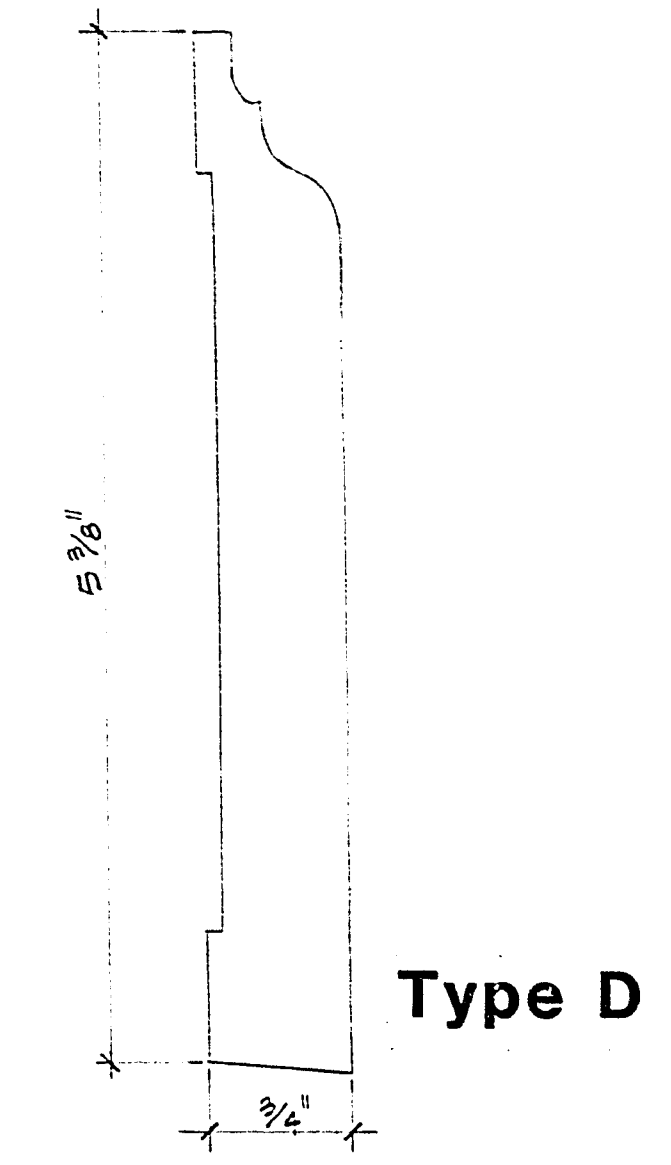
Type A



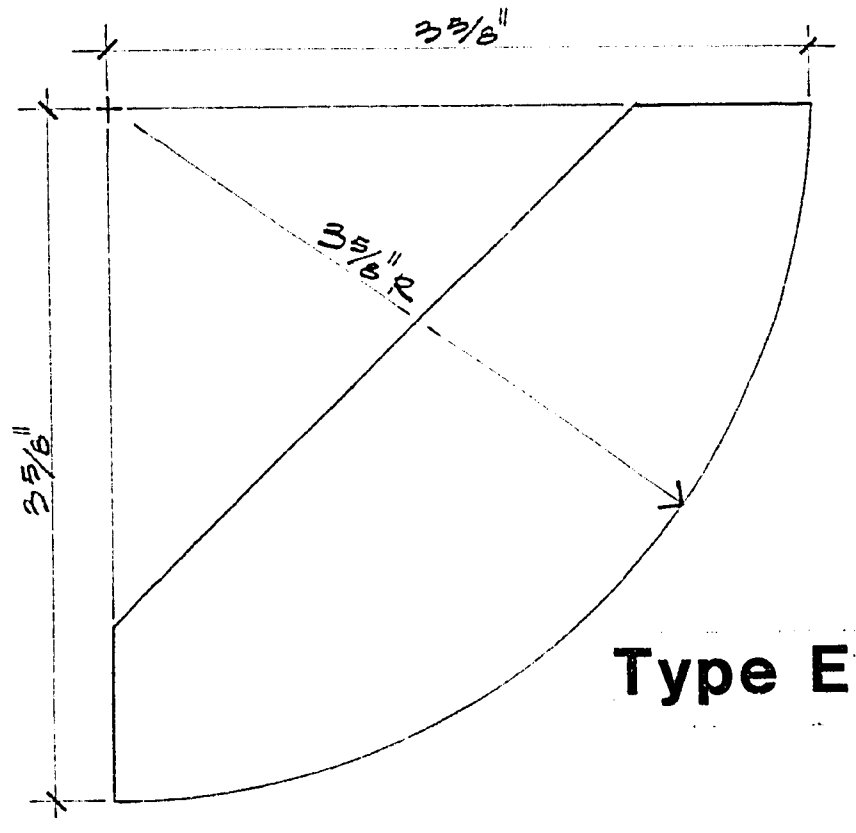
Type B



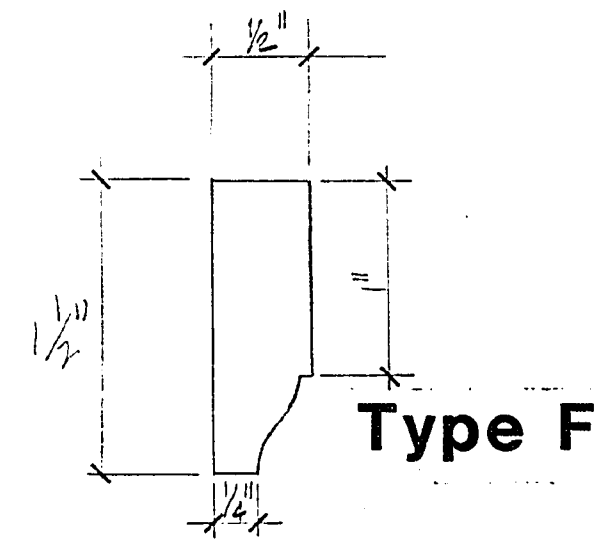
Type C



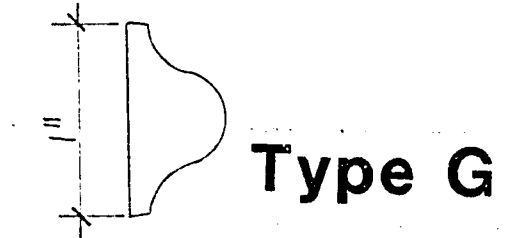
Type D



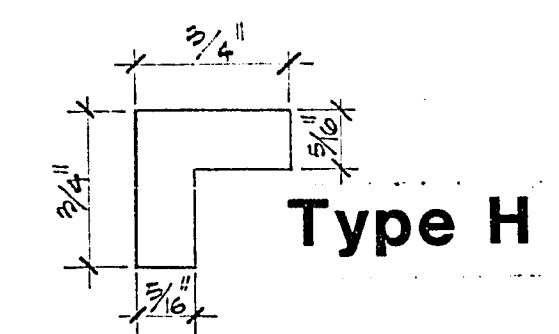
Type E



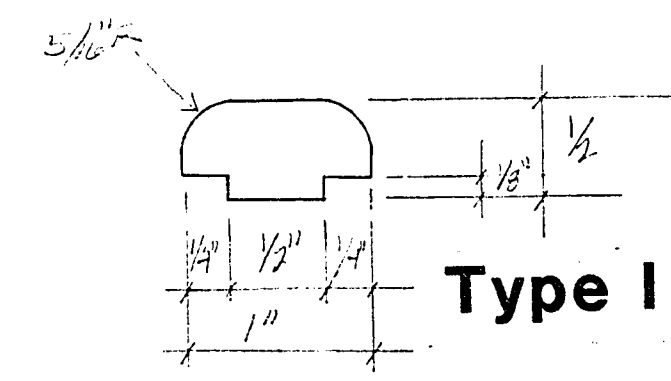
Type F



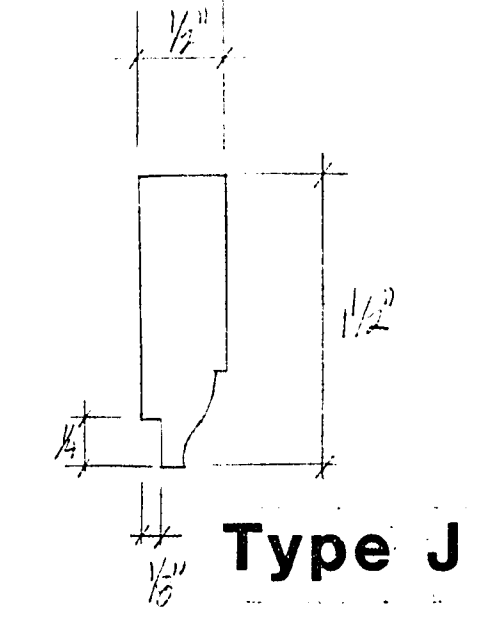
Type G



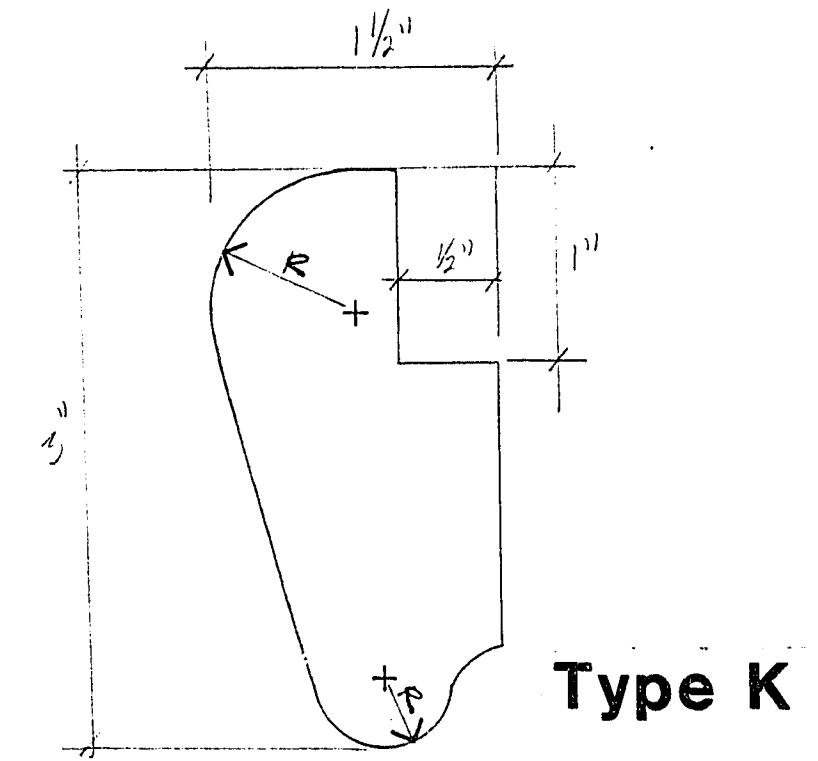
Type H



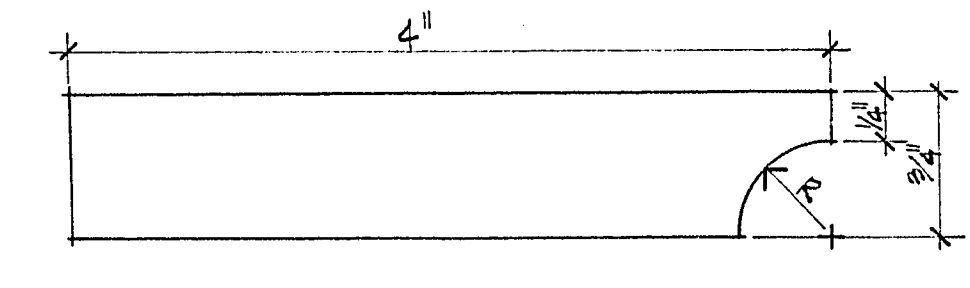
Type I



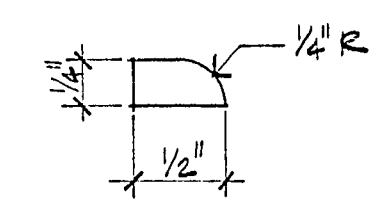
Type J



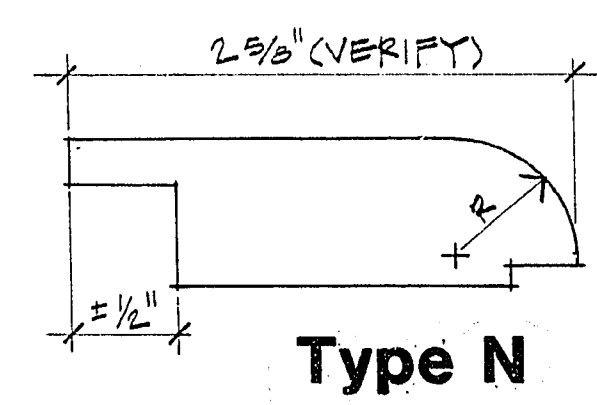
Type K



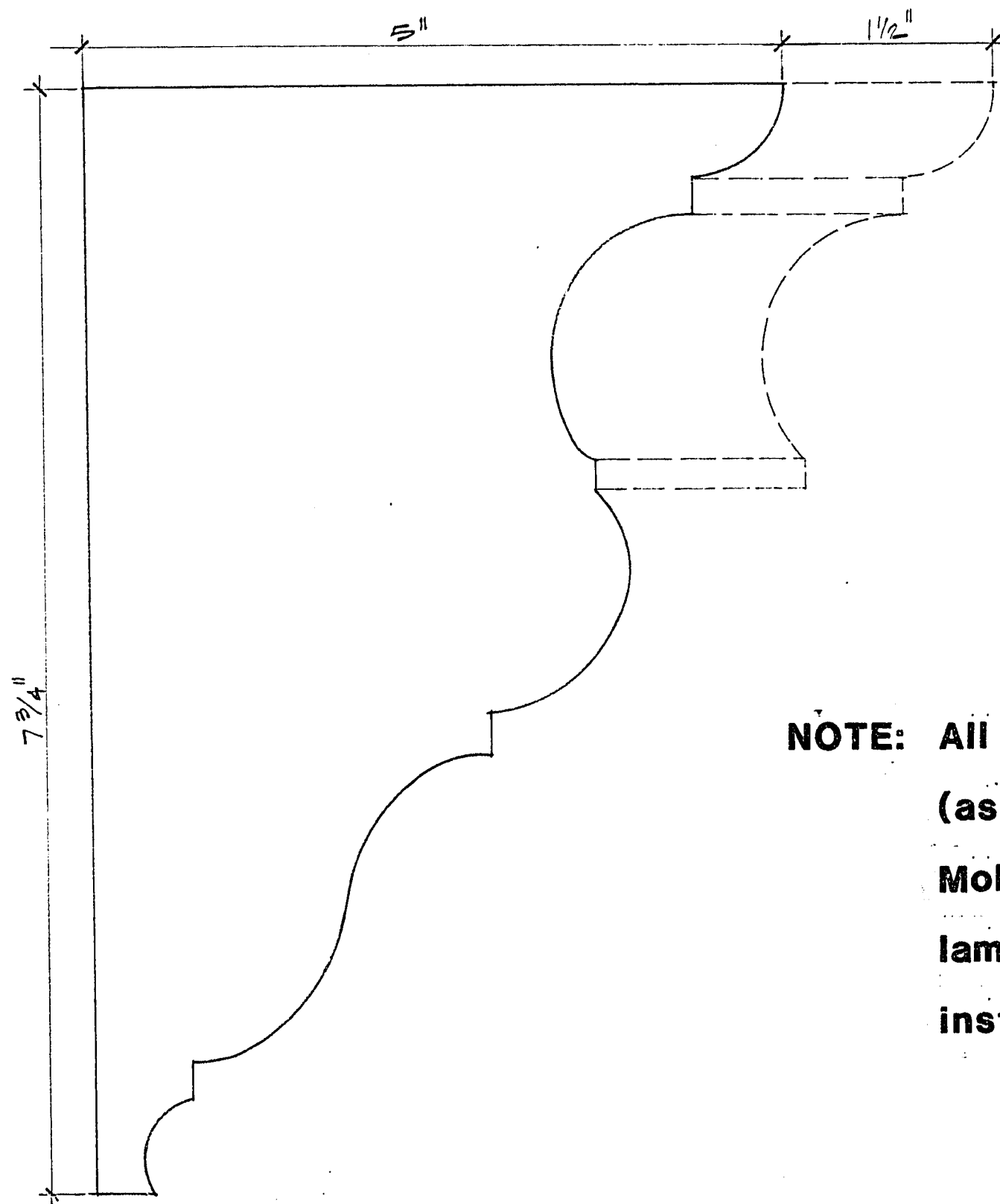
Type M



Type O



Type N



Shelf Bracket

NOTE: All moldings shall be hardwood (as described in the specifications). Molding types A, B, F, & J may be laminated construction where installed on a radius.



City of Las Vegas, Nevada
Department of Design and Development
 Thomas B. Graham, AICP, RLA, Director

REVISIONS	DATE



DOWNTOWN TRANSPORTATION CENTER AMENITIES
 Molding Type Details

PROJECT NO.
WU9040
 DRAWING NO.
590-2F
 SHEET 13 OF 41
A13

30-13-17