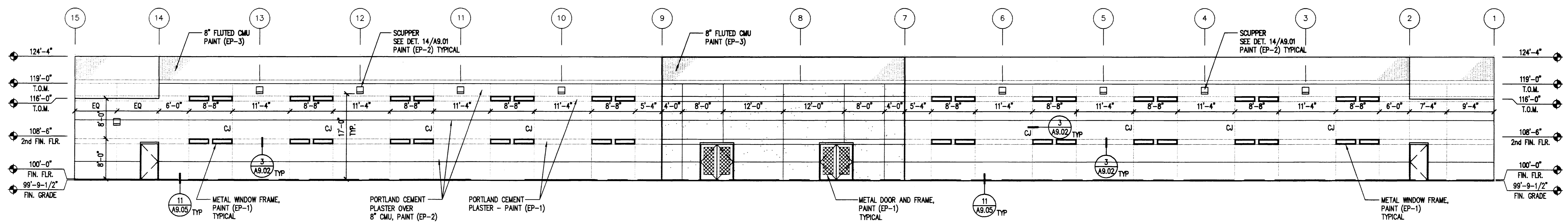


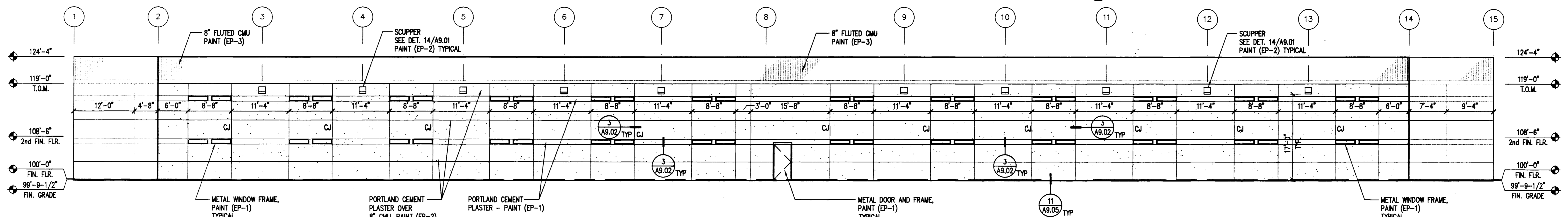
A6.01

5-13-96

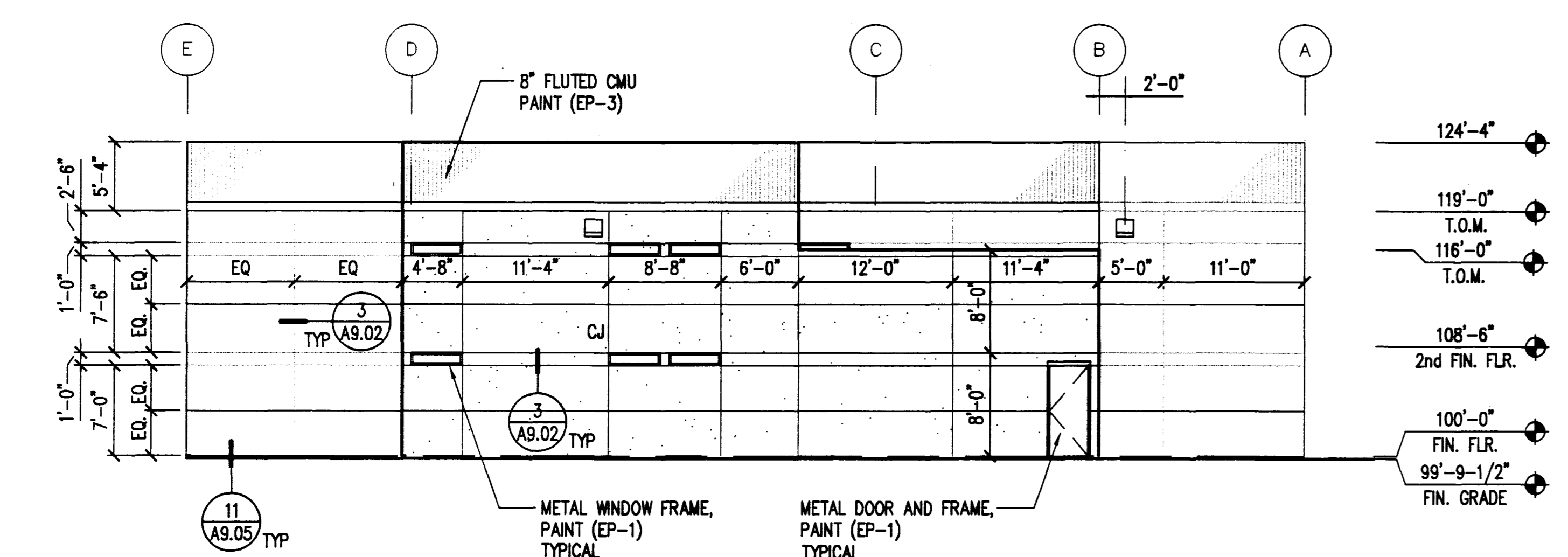
95260



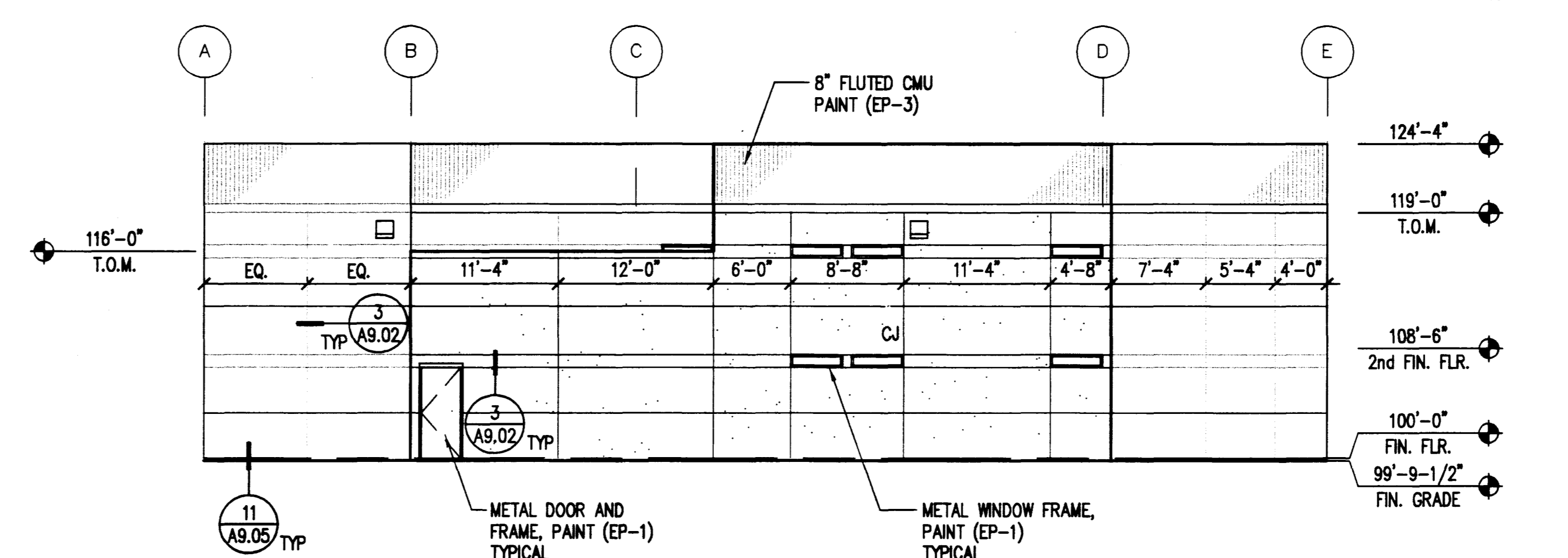
NORTH ELEVATION BUILDING "A"
 (MALE HOUSING UNIT)
 SCALE: 1/8"=1'-0"



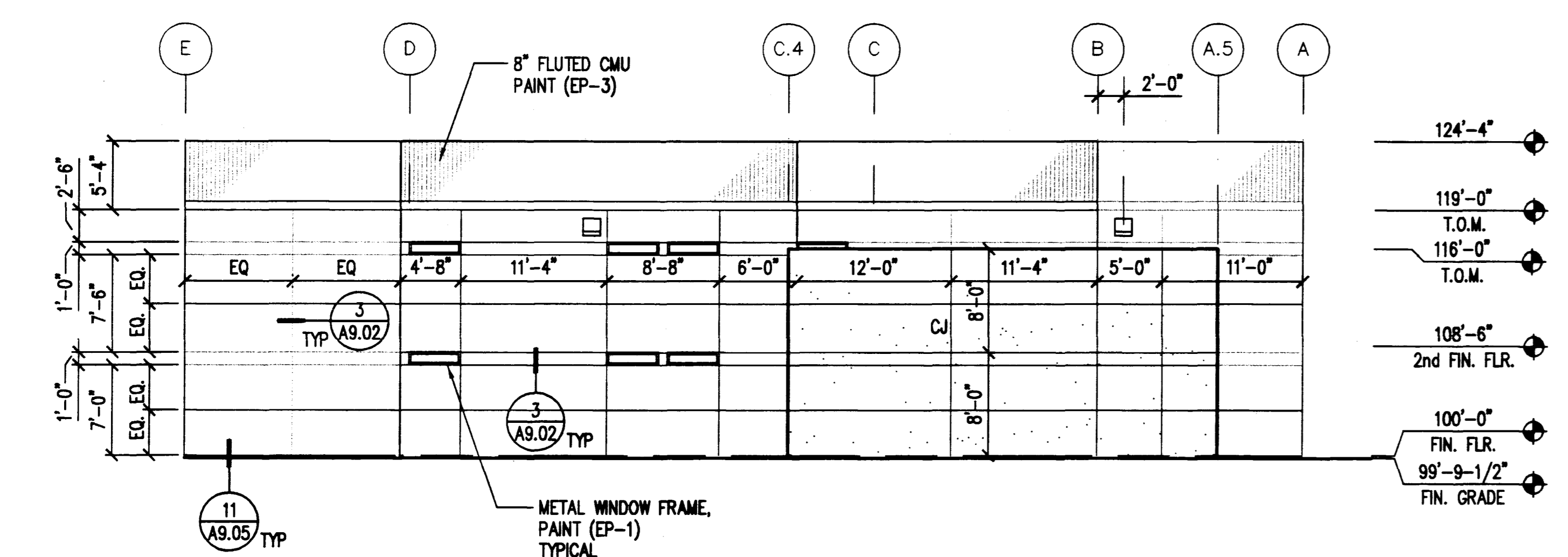
SOUTH ELEVATION BUILDING "A"
 (MALE HOUSING UNIT)
 SCALE: 1/8"=1'-0"



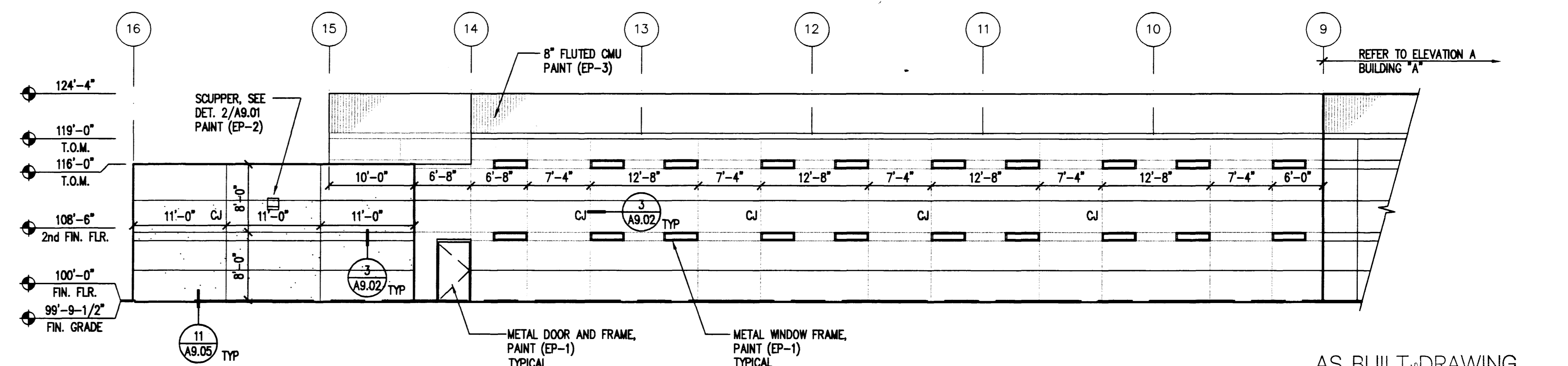
EAST ELEVATION BUILDING "A"
 (MALE HOUSING UNIT)
 SCALE: 1/8"=1'-0"



WEST ELEVATION BUILDING "A"
 (MALE HOUSING UNIT)
 SCALE: 1/8"=1'-0"



EAST ELEVATION BUILDING "B"
 (MALE HOUSING UNIT)
 SCALE: 1/8"=1'-0"



NORTH ELEVATION BUILDING "B"
 (MALE HOUSING UNIT)
 SCALE: 1/8"=1'-0"

NOTE: WHERE "CJ" IS NOTED, PROVIDE MASONRY CONTROL JOINT PER DET. 8/SS.02

FINISHES:
 EP-1 - TO MATCH EXISTING HOUSING UNIT PLASTER.
 EP-2 - TO MATCH EXISTING HOUSING UNIT HORIZONTAL STRIPE.

AS BUILT DRAWING
 DATE 10-20-97

SYMBOL	DESCRIPTION	DATE	BY

DO NOT SCALE DRAWINGS

All designs, arrangements and plans indicated or presented by this drawing, as instruments of service, are owned by and the property of DOMINGO CAMBEIRO CORPORATION. To alter these documents for any project by anyone other than the original architect is a violation of NRS 623. The plans and/or specifications shall be restricted to the original site for which they were prepared and publication thereof is expressly limited to such use. Reproduction, publication or reuse by any method in whole or in part is prohibited. None of such designs, arrangements or plans shall be used by or disclosed to any person, firm, agency, or corporation without the written permission of DOMINGO CAMBEIRO CORPORATION. Visual contact with these plans and specifications shall constitute prima facie evidence of acceptance of these restrictions.
 © DOMINGO CAMBEIRO CORPORATION 1996

SEAL

Domingo Cambeiro Corporation
 ARCHITECTURE • ENGINEERING • PLANNING • INTERIORS
 3555 PECOS-McLEOD IC. LAS VEGAS, NEVADA 89121-3805 (702) 732-0084 FAX: 732-9602

REV	DESCRIPTION	DATE	BY

PROJECT
CITY OF LAS VEGAS
DETENTION FACILITY HOUSING EXPANSION
 3100 EAST STEWART AVENUE
 LAS VEGAS, NEVADA
 EXTERIOR ELEVATIONS -
 MALE HOUSING UNIT

DRAWING NO.
A6.01

DATE
 5-13-96

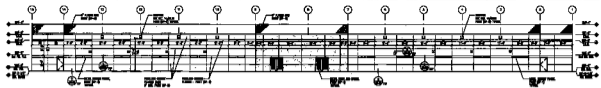
JOB NO. 9260
 FILE NO. 9260A01.DWG

513-552b Sheet 25 of 28

A6.01

5-18-76

95260



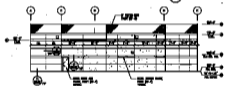
NORTH ELEVATION BUILDING "A"



SOUTH ELEVATION BUILDING "A"



EAST ELEVATION BUILDING "A"



WEST ELEVATION BUILDING "A"



EAST ELEVATION BUILDING "B"



NORTH ELEVATION BUILDING "B"



ASBET DRAWING
NO. 1001

NO. 1001	DATE	BY	CHECKED



Domino Concrete Corporation
 MANUFACTURED • DISTRIBUTED • PLACED • FINISHED
 1000 WEST 10TH AVENUE, SUITE 1000, DENVER, COLORADO 80202

NO. 1001	DATE	BY	CHECKED

DESIGNED BY
STANLEY W. HARRIS
 ARCHITECT
 1000 WEST 10TH AVENUE, SUITE 1000
 DENVER, COLORADO 80202

NO. 1001
 DATE
 BY
 CHECKED