

AMERICAN EXCHANGE
CITY OF LAS VEGAS

VTM nevada

CONSULTING ENGINEERS • PLANNERS • LAND SURVEYORS
2727 SOUTH RAINBOW BOULEVARD
LAS VEGAS, NEVADA 89102-5148 PHONE (702) 873-7550 FAX (702) 362-2587

REV	DATE	BY	REASON
1	11-22-98	CM	ADD P&S CLV
2	11-19-98	CM	ADD TOP STREET SECTION
3	10-7-98	CM	ADD P&S CLV
4	9-10-98	CM	ADD P&S CLV
5	7-22-98	TFA	EXTEND IMPROVE. ON DURANGO TO EXIST.

STREET PLAN - PROFILE

DURANGO DRIVE

DURANGO ESTATES UNIT 2

TITLE PROJECT

NO. 4877-2

BY **TFA/KFN**

DATE **JUN'98**

SCALE: HORIZ. 1"=40'
VERT. 1"=4'

SHEET **8** OF 13 SHEETS

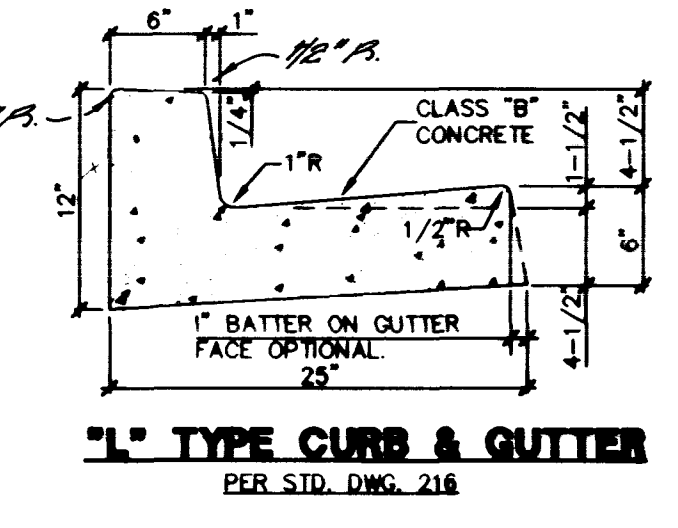
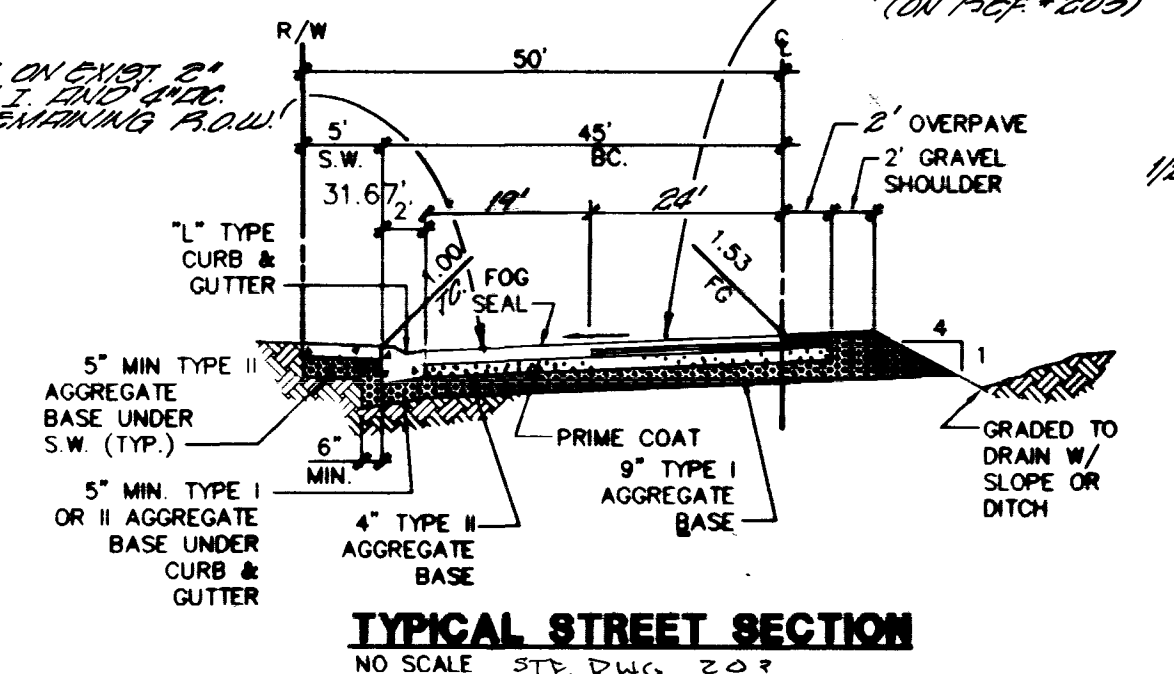
107Y-4476-2

CURVE TABLE AT BACK OF CURB

CURVE	RADIUS	LENGTH	TANGENT	DELTA
1	30.00'	47.51'	30.39'	90°43'57"
2	30.00'	46.74'	29.62'	89°16'03"

SIDEWALK RAMP - PER STD DWG. 235

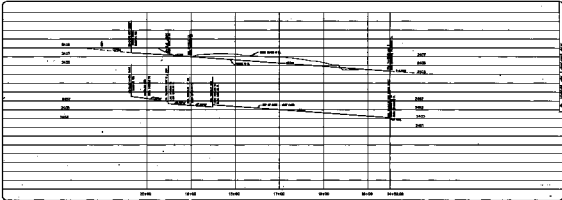
STREET	DM. "A"	DM. "B"	CASE
1) LOST GOLD AVENUE	12.0'	4.5'	1
2) LOST GOLD AVENUE	4.5'	9.5'	1



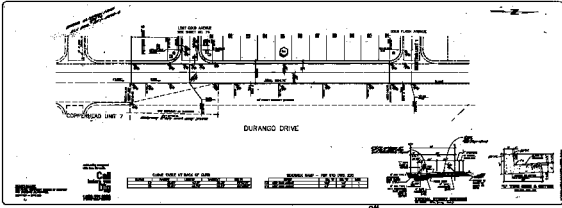
BENCHMARK
2X2 PLATE, SOUTHWEST CORNER OF RAMPART AND CHEYENNE, 301.00177MNS. ELEVATION = 2448.333

Call before you Dig
1-800-227-2600

H:\AD\LANDEV\4671\4671.MXD Thu Aug 22 13:58:10 1998 Plotted by: TFA



APPROVED RECORD	DATE	BY
CITY OF LAS VEGAS		
VERTICAL DURANGO DRIVE SHEET 2 OF 2		
CONSULTING ENGINEER & PLANNER - LEO BARNETT 445 WEST WASHINGTON AVENUE, SUITE 200, LAS VEGAS, NEVADA 89101		



STREET PLAN - PEOPLE
DURANGO DRIVE
DURANGO DRIVE
DURANGO DRIVE
SHEET 2

CONSULTING ENGINEER & PLANNER - LEO BARNETT