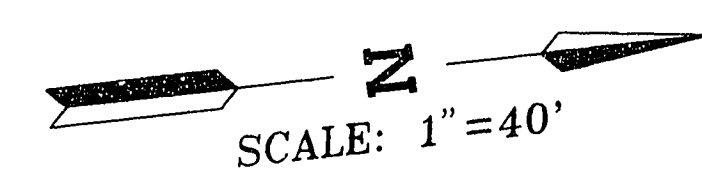
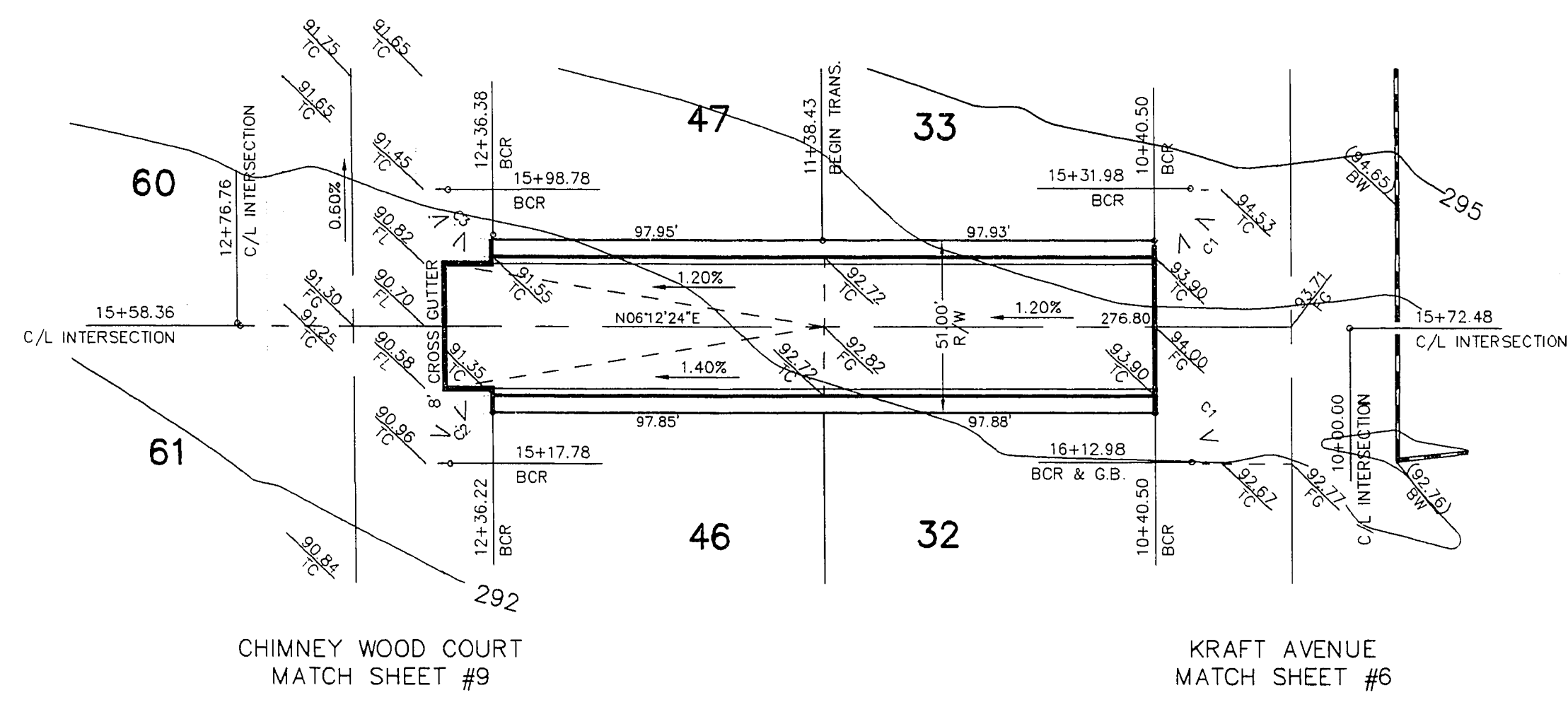


13+00 12+00 11+00 10+00

**BCR & CURVE DATA
AT BACK OF CURB**

NO.	RADIUS	DELTA	LENGTH	TANGENT
C1	20.00	90°00'00"	31.42	20.00
C2	20.00	90°06'28"	31.45	20.04
C3	20.00	85°53'32"	31.38	19.96



QUANTITY ESTIMATES THIS SHEET

2" ASPHALTIC CONCRETE PAVEMENT	863 S.Y.
24" L-TYPE CURB & GUTTER	391 L.F.
SIDEWALK	1,955 S.F.

THISTLE LANDING STREET

SEE STREET SECTION
DETAIL - SHEET #11

NOTICE:
EXISTING UTILITIES ARE SHOWN ON PLANS FOR THE CONVI-
DENCE OF THE CONTRACTOR
ONLY. THE CONTRACTOR IS
RESPONSIBLE FOR THE PRO-
TECTION OF ALL UTILITIES.
THE DESIGNER BEARS NO RES-
PONSIBILITY FOR UTILITIES NOT
SHOWN OR SHOWN INCORRECTLY.

BEFORE YOU Dig
1-800-227-2800
MEMBERSHIP SERVICE LINE

JOB #	N4-01-01
NAME	VERTREES/WRA
DATE	2-21-95
SCALE	1" = 40'
PAGE	10

SUBMITTED BY: *sy/202*

ALPHA & ENGINEERING COMPANY
505 So. Main Street, Suite 200, Lynchburg, VA 24502
Tel: (434) 345-1000

STREET & SEWER PLAN & PROFILE
THISTLE LANDING STREET
EAGLE TRACE

11-19-175 1074-4377