

CERTIFICATE (MONUMENTATION)

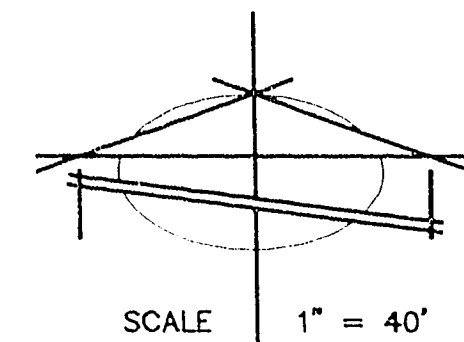
I, CHARLES E. CAVE, A REGISTERED PROFESSIONAL LAND SURVEYOR IN THE STATE OF NEVADA, AS AGENT FOR BAUGHMAN & TURNER, INC., DO HEREBY CERTIFY TO THE CITY OF LAS VEGAS THAT THE MONUMENTS HAVE BEEN SET AND THE TIE DISTANCES ESTABLISHED AS SHOWN HEREON. THIS SURVEY WAS COMPLETED ON SEPTEMBER 23, 1995.

Charles E. Cave

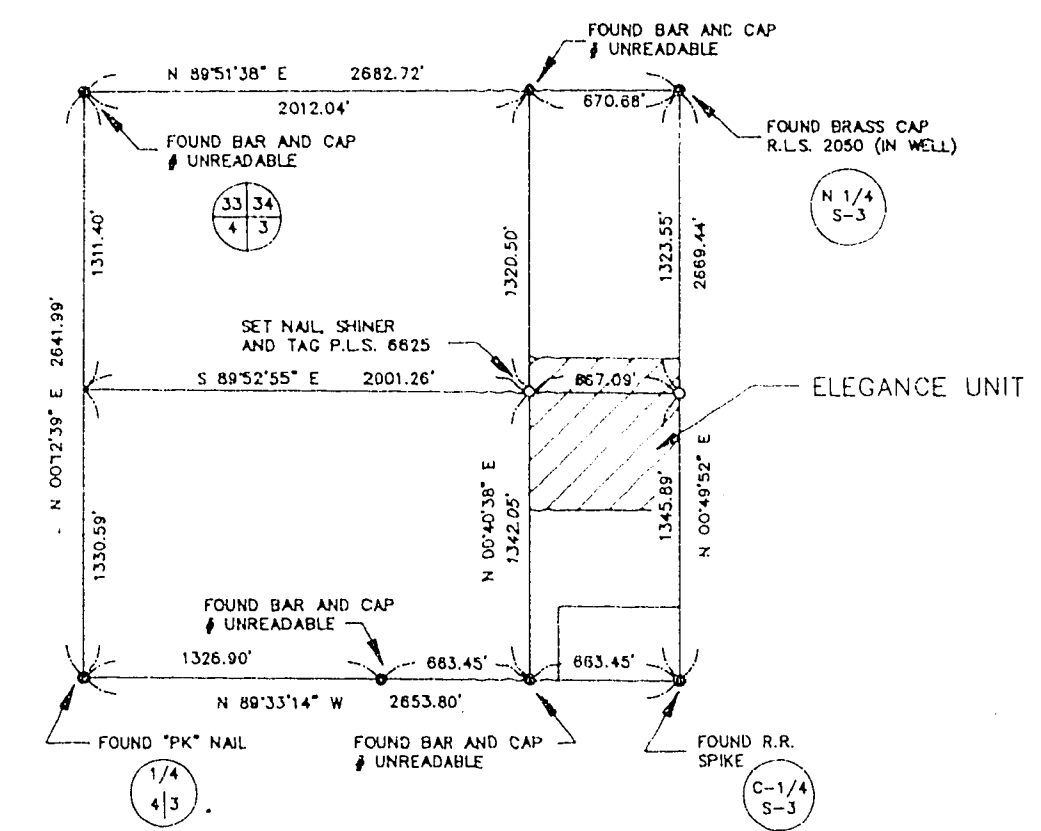
MONUMENTATION MAP

ELEGANCE - UNIT 2

A PORTION OF THE EAST HALF (E 1/2) OF THE NORTHWEST QUARTER (NW 1/4) OF SECTION 3, TOWNSHIP 20 SOUTH, RANGE 60 EAST, M. D. B. & M. CITY OF LAS VEGAS CLARK COUNTY NEVADA



SURVEY ANALYSIS



LEGEND

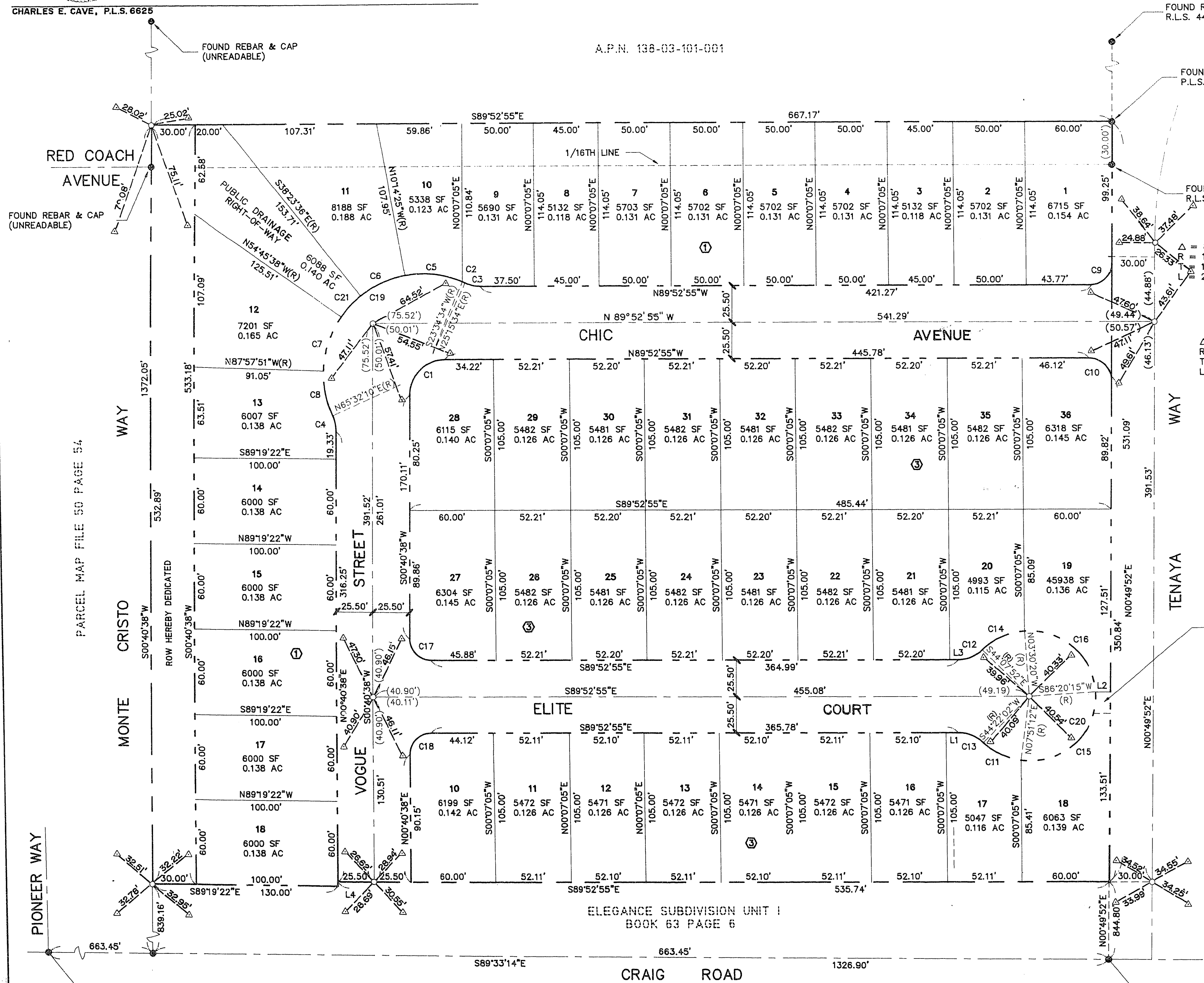
- POINT FOUND AS NOTED
- TYPE III MONUMENT TO BE SET
- ① LOT NUMBER - 45 LOTS TOTAL
- ② BLOCK NUMBER
- CENTER LINE
- PROPERTY LINE
- RIGHT OF WAY LINE
- LOT LINE
- △ SET BRASS CAP IN CURB STAMPED R.M. P.L.S. 6625

LINE DATA

LINE	DIRECTION	DISTANCE
L1	S89°52'55"E	9.03'
L2	S89°52'55"E	10.14'
L3	S89°52'55"E	5.88'
L4	N00°40'38"E	3.08'

CURVE DATA

CURVE	RADIUS	LENGTH	TANGENT	DELTA
C1	25.00'	39.03'	24.76'	89°26'27"
C2	70.00'	2.06'	1.03'	01°41'00"
C3	25.00'	10.97'	5.57'	25°08'29"
C4	25.00'	10.97'	5.57'	25°08'28"
C5	70.00'	41.31'	21.28'	33°48'59"
C6	70.00'	34.39'	17.55'	28°09'11"
C7	70.00'	40.55'	20.87'	33°12'13"
C8	70.00'	32.38'	16.48'	26°29'59"
C9	15.00'	23.38'	14.81'	89°17'13"
C10	15.00'	23.38'	14.81'	90°42'47"
C11	45.50'	29.00'	15.01'	90°42'47"
C12	25.00'	19.31'	10.16'	44°14'57"
C13	25.00'	19.31'	10.16'	44°14'57"
C14	45.50'	32.26'	16.84'	40°37'32"
C15	45.50'	80.82'	55.70'	101°30'57"
C16	45.50'	71.35'	45.38'	89°50'35"
C17	15.00'	23.71'	15.15'	90°33'33"
C18	15.00'	23.42'	14.85'	89°26'27"
C19	70.00'	170.70'	139.89'	139°43'24"
C20	45.50'	213.23'	150.89'	268°29'54"
C21	70.00'	20.00'	10.07'	16°22'02"



A.P.N. 138-03-501-001
UNDEVELOPED

ELEGANCE SUBDIVISION UNIT 1
BOOK 63 PAGE 6

NOTE:
1) REBAR AND CAP P.L.S. 6625 WILL BE SET AT ALL SUBDIVISION BOUNDARY POINTS.
2) A NAIL AND SHINER IN BLOCK WALLS OR A CONCRETE NAIL IN "L" CURB WILL BE SET AT ALL LOT CORNERS.

058-4314-2
Book 63 Page 52
12/6/94