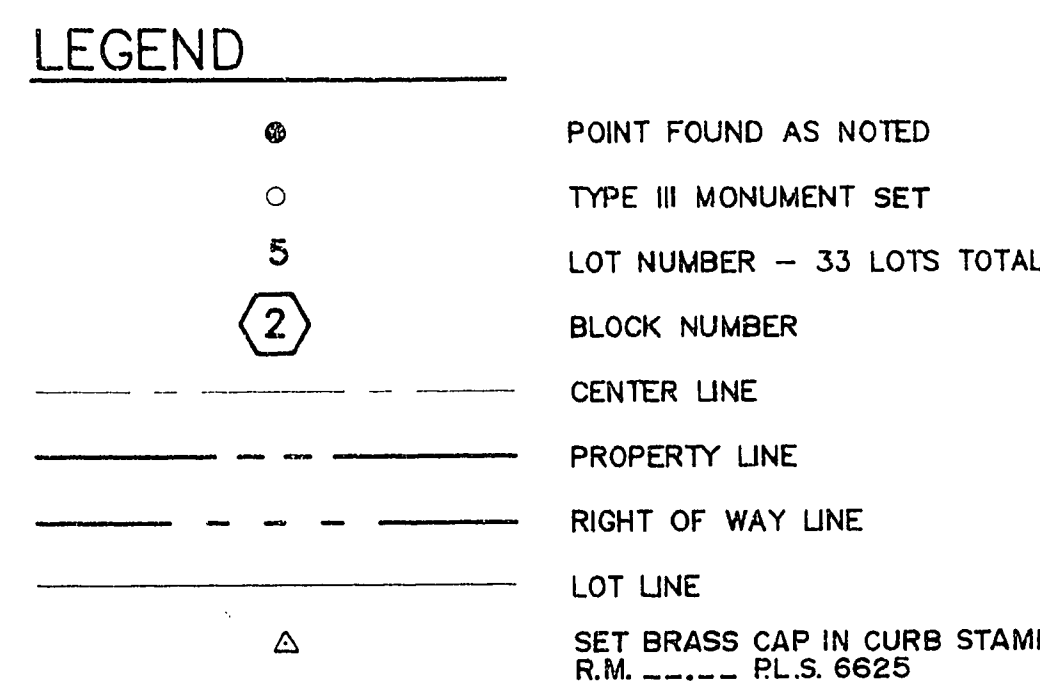
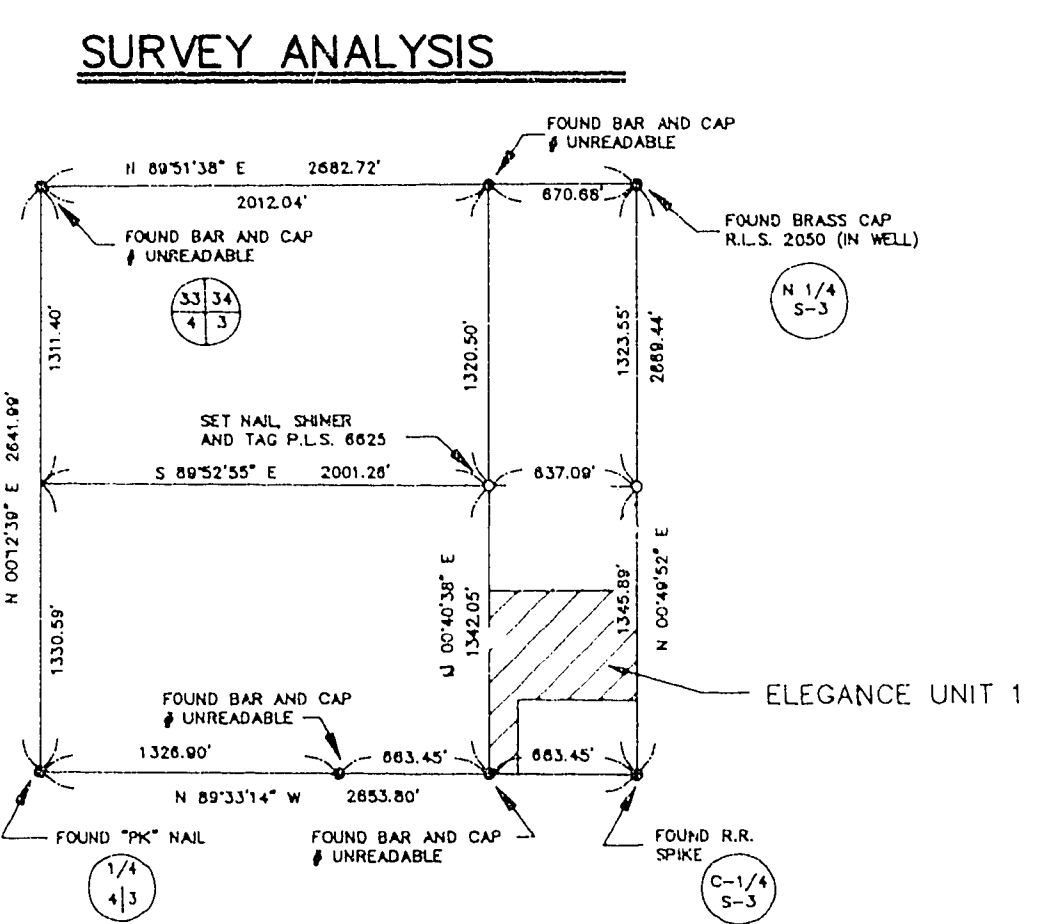
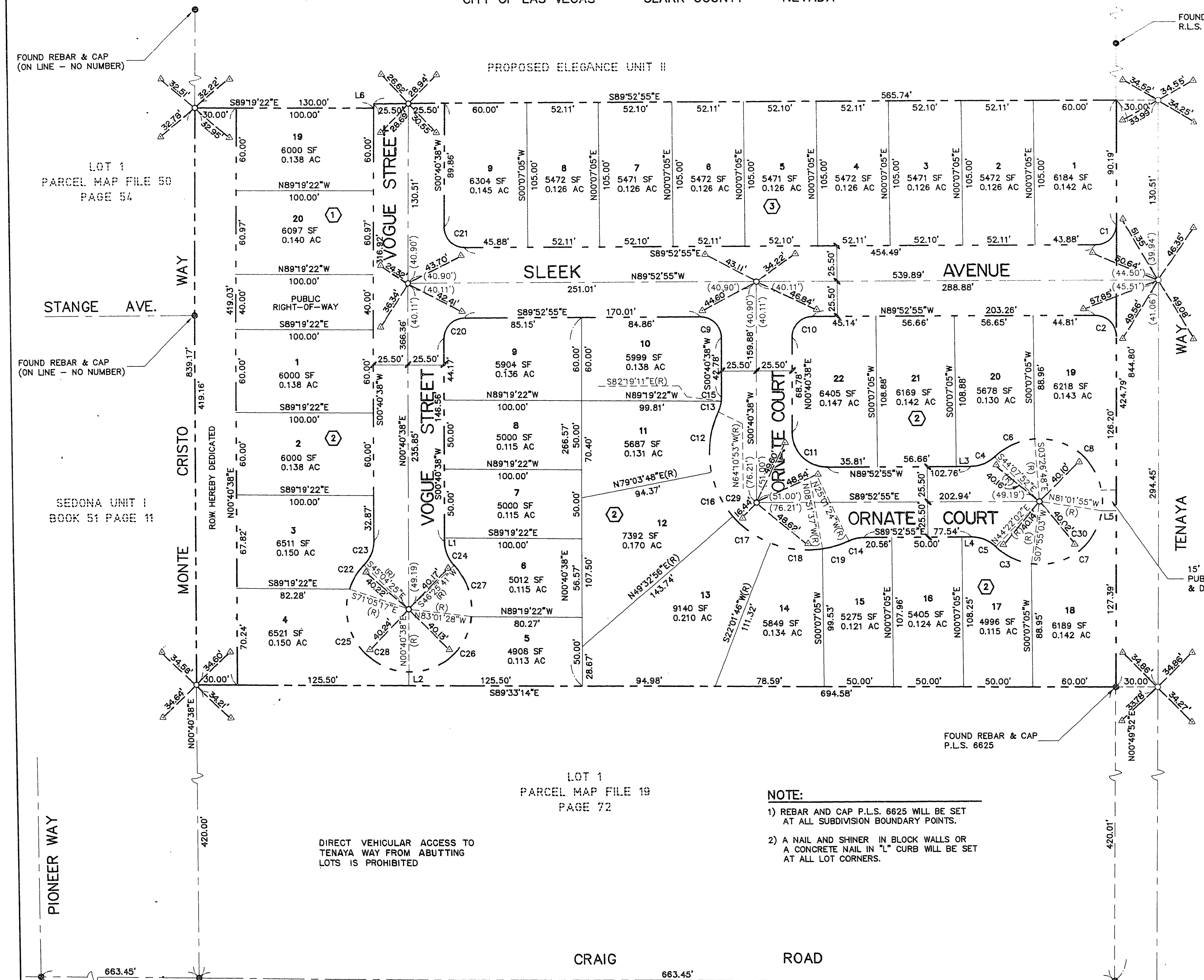
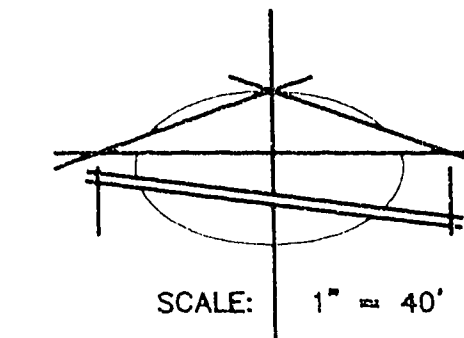


MONUMENTATION MAP ELEGANCE - UNIT 1

A PORTION OF THE EAST HALF (E 1/2) OF THE SOUTHEAST QUARTER (SE 1/4) OF THE NORTHWEST QUARTER (NW 1/4) OF SECTION 3, TOWNSHIP 20 SOUTH, RANGE 60 EAST, M. D. B. & M. CITY OF LAS VEGAS CLARK COUNTY NEVADA

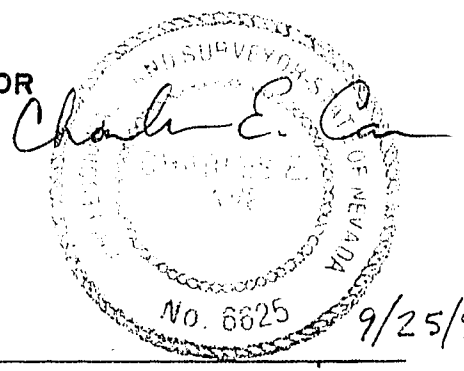


LINE	DIRECTION	DISTANCE
L-1	S00°40'38"W	2.30'
L-2	N00°40'38"E	10.00'
L-3	S89°52'55"E	10.29'
L-4	S89°52'55"E	6.98'
L-5	S89°52'55"E	10.45'
L-6	N00°40'38"E	3.08'

CURVE	RADIUS	LENGTH	TANGENT	DELTA
C1	15.00'	23.38'	14.81'	89°17'13"
C2	15.00'	23.75'	15.19'	90°42'47"
C3	45.50'	28.95'	14.98'	36°26'59"
C4	25.00'	19.31'	10.16'	44°14'57"
C5	25.00'	19.31'	10.16'	44°14'57"
C6	45.50'	32.31'	16.87'	40°41'04"
C7	45.50'	70.64'	44.67'	88°56'58"
C8	45.50'	81.33'	56.61'	102°24'52"
C9	15.00'	23.71'	15.15'	90°33'33"
C10	15.00'	23.42'	14.85'	89°26'27"
C11	25.00'	39.51'	25.25'	90°33'33"
C12	70.00'	44.91'	23.26'	36°45'19"
C13	25.00'	7.91'	3.99'	90°33'33"
C14	25.00'	10.97'	5.57'	25°08'29"
C15	25.00'	3.06'	1.53'	07°00'11"
C16	70.00'	36.06'	18.44'	29°30'52"
C17	70.00'	33.62'	17.14'	27°31'10"
C18	70.00'	37.74'	19.34'	30°53'23"
C19	70.00'	19.75'	9.94'	16°09'47"
C20	15.00'	23.42'	14.85'	89°26'27"
C21	15.00'	23.71'	15.15'	90°33'33"
C22	45.50'	20.86'	10.51'	26°00'52"
C23	25.00'	19.31'	10.16'	44°14'57"
C24	25.00'	19.31'	10.16'	44°14'57"
C25	45.50'	85.95'	62.90'	108°14'05"
C26	45.50'	66.47'	40.75'	83°42'06"
C27	45.50'	40.14'	21.48'	50°32'51"
C28	45.50'	213.22'	196.81'	268°29'54"
C29	70.00'	172.07'	140.50'	268°29'54"
C30	45.50'	213.22'	196.81'	268°29'54"

NOTE:
 1) REBAR AND CAP P.L.S. 6625 WILL BE SET AT ALL SUBDIVISION BOUNDARY POINTS.
 2) A NAIL AND SHINER IN BLOCK WALLS OR A CONCRETE NAIL IN "L" CURB WILL BE SET AT ALL LOT CORNERS.

CERTIFICATE: (MONUMENTATION)
 I, CHARLES E. CAVE, A REGISTERED PROFESSIONAL LAND SURVEYOR IN THE STATE OF NEVADA, AS AGENT FOR BAUGHMAN & TURNER, INC., DO HEREBY CERTIFY TO THE CITY OF LAS VEGAS THAT THE MONUMENTS HAVE BEEN SET AND THE TIE DISTANCES ESTABLISHED AS SHOWN HEREON. THIS SURVEY WAS COMPLETED ON SEPTEMBER 22, 1995.



Book 263 Page 6
058-4314-1
12-6-65