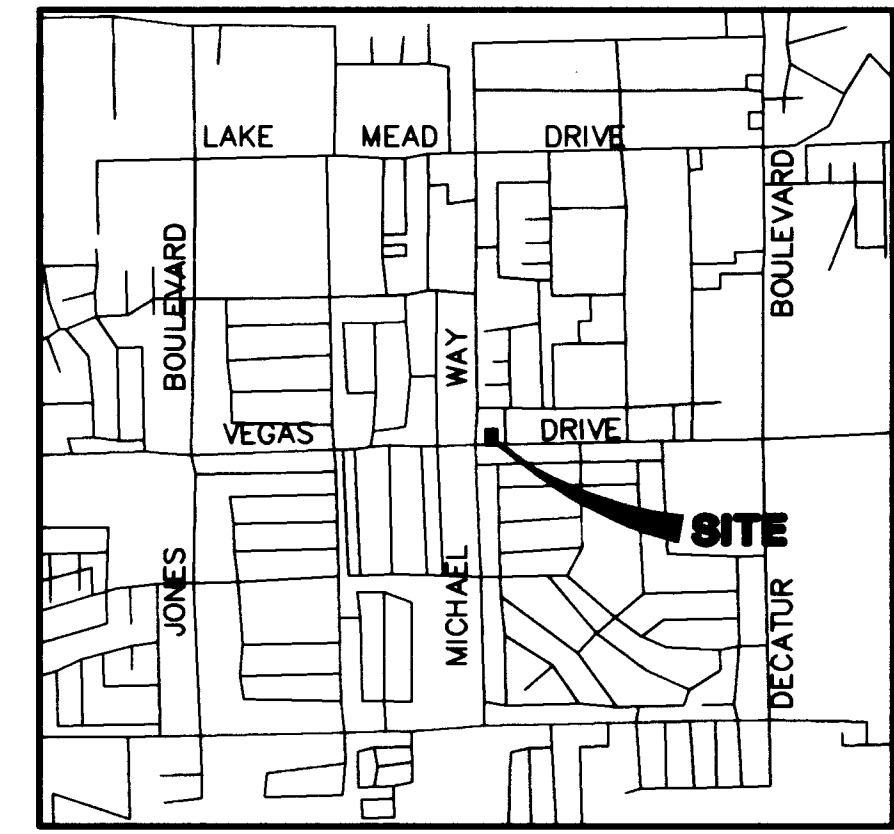
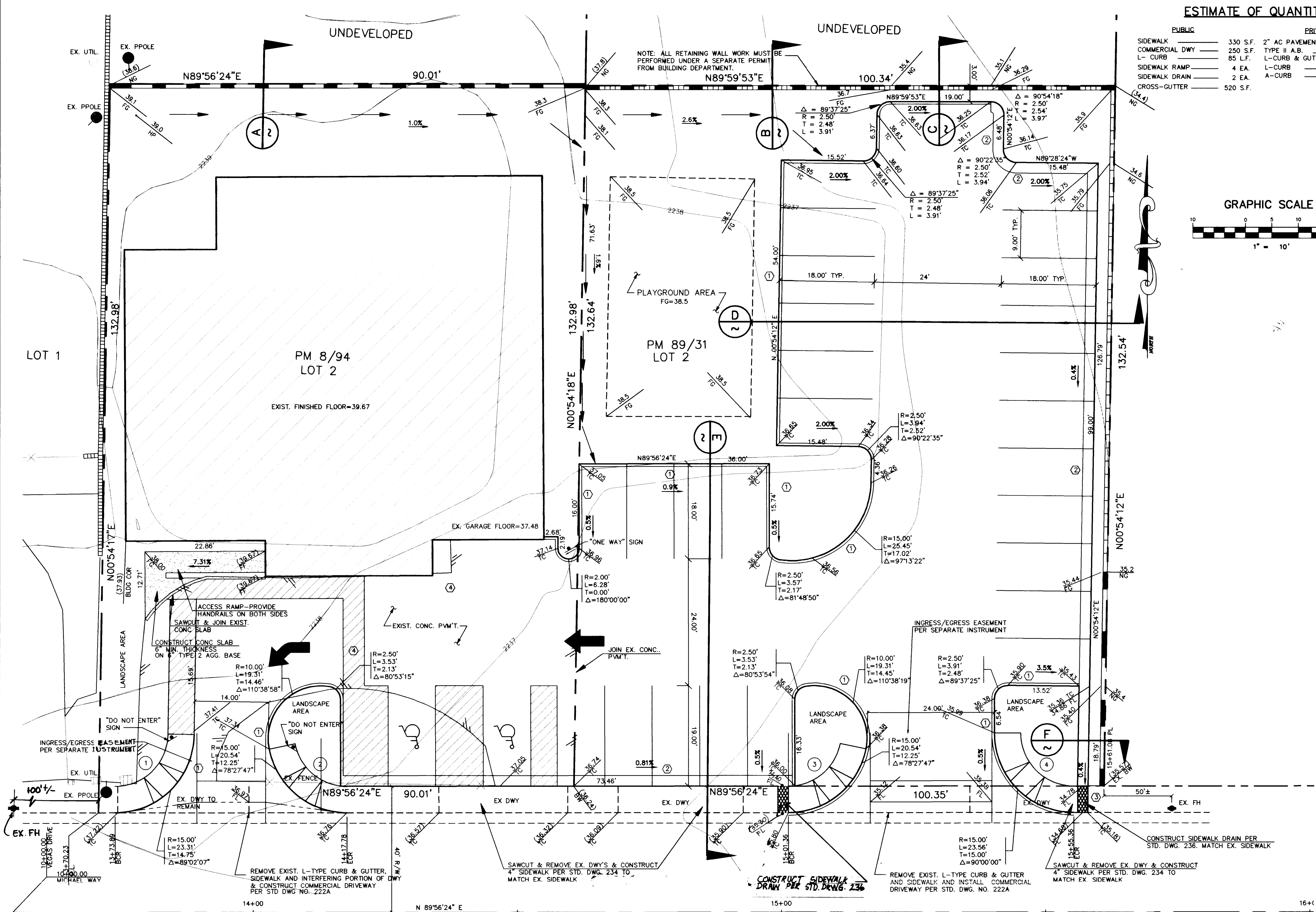
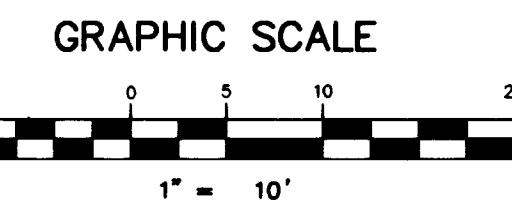


ESTIMATE OF QUANTITIES

| PUBLIC | | PRIVATE | |
|----------------|----------|-----------------|------------|
| SIDEWALK | 330 S.F. | 2" AC PAVEMENT | 7,302 S.F. |
| COMMERCIAL DWY | 250 S.F. | TYPE II A.B. | 90.2 C.Y. |
| L-CURB | 85 L.F. | L-CURB & GUTTER | 170 L.F. |
| SIDEWALK RAMP | 4 EA. | L-CURB | 38 L.F. |
| SIDEWALK DRAIN | 2 EA. | A-CURB | 311 L.F. |
| CROSS-GUTTER | 520 S.F. | | |



VICINITY MAP
NO SCALE



LAS VEGAS FIRE DEPARTMENT

FIRE FLOW CALCULATIONS
FIRE FLOW REQUIREMENT IS 2000 GALLONS PER MINUTE AT 20 PSI RESIDUAL PRESSURE.
BASED ON:
SQUARE FOOTAGE: 6,200 SQ. FT.
LARGEST AREA BETWEEN 4-HOUR AREA SEPARATION WALLS: N/A SQ. FT.
BUILDING HEIGHT: 23 FEET
NUMBER OF STORIES: 2 STORIES FLOOR
TYPE OF CONSTRUCTION: V.N
OCCUPANCY:
FULL AUTOMATIC FIRE SPRINKLER SYSTEM: NONE
REVIEWED BY: [Signature]
DATE: 5-5-98
PROVIDE FIRE LANE IDENTIFICATION PER CITY ORD. 3677

VEGAS DRIVE

SIDEWALK RAMP DATA TABLE

| NO. | A | B |
|-----|-------|------|
| 1 | 8.0' | 8' |
| 2 | 8.0' | 8.0' |
| 3 | 8.0' | 8.0' |
| 4 | 15.0' | 4.5' |

DOWN SYNDROME OF SOUTHERN NEVADA

5300 VEGAS DRIVE
LAS VEGAS, NEVADA 89108-2347
(702)-648-1414

Avoid cutting underground utility lines. It's costly.

Avoid overhead power line contact

Call before you Dig
1-800-227-2600

Call before you OVERHEAD
1-702-593-6111

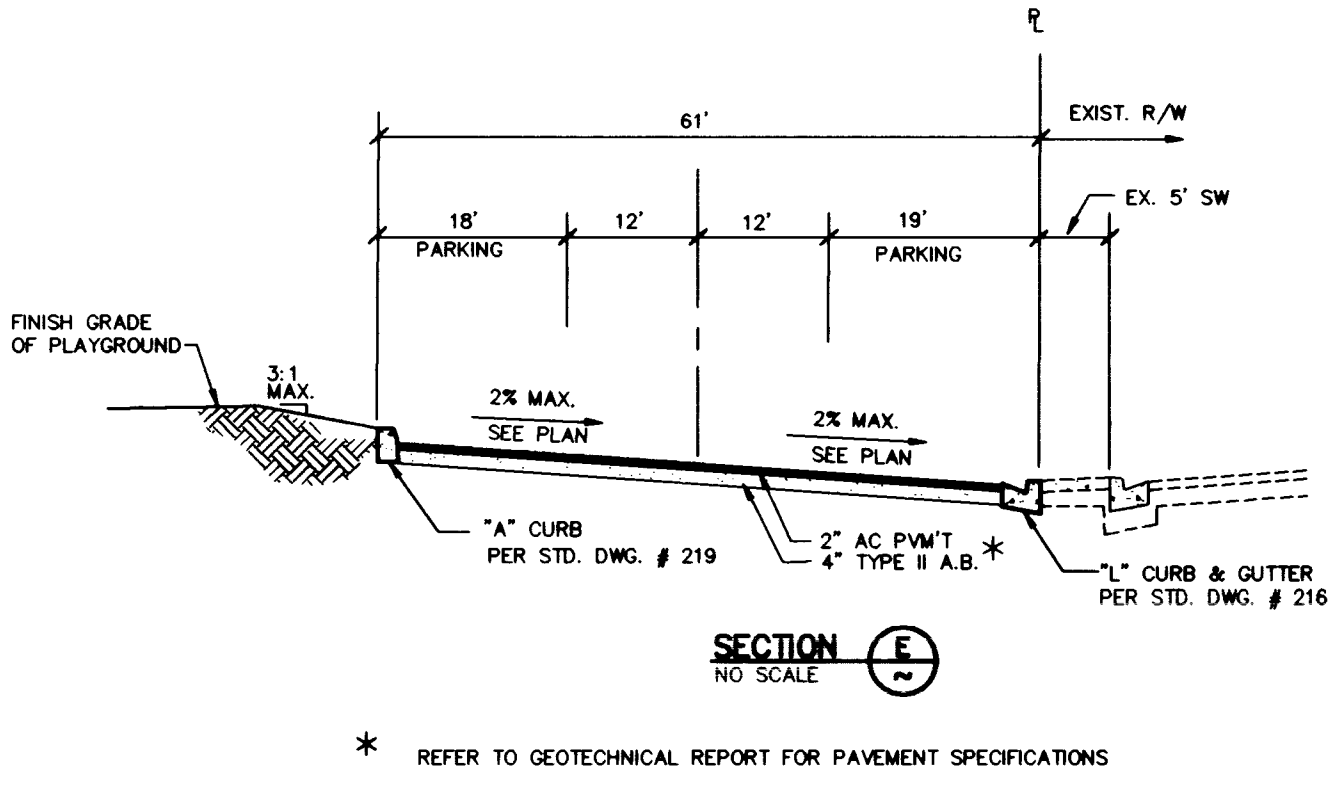
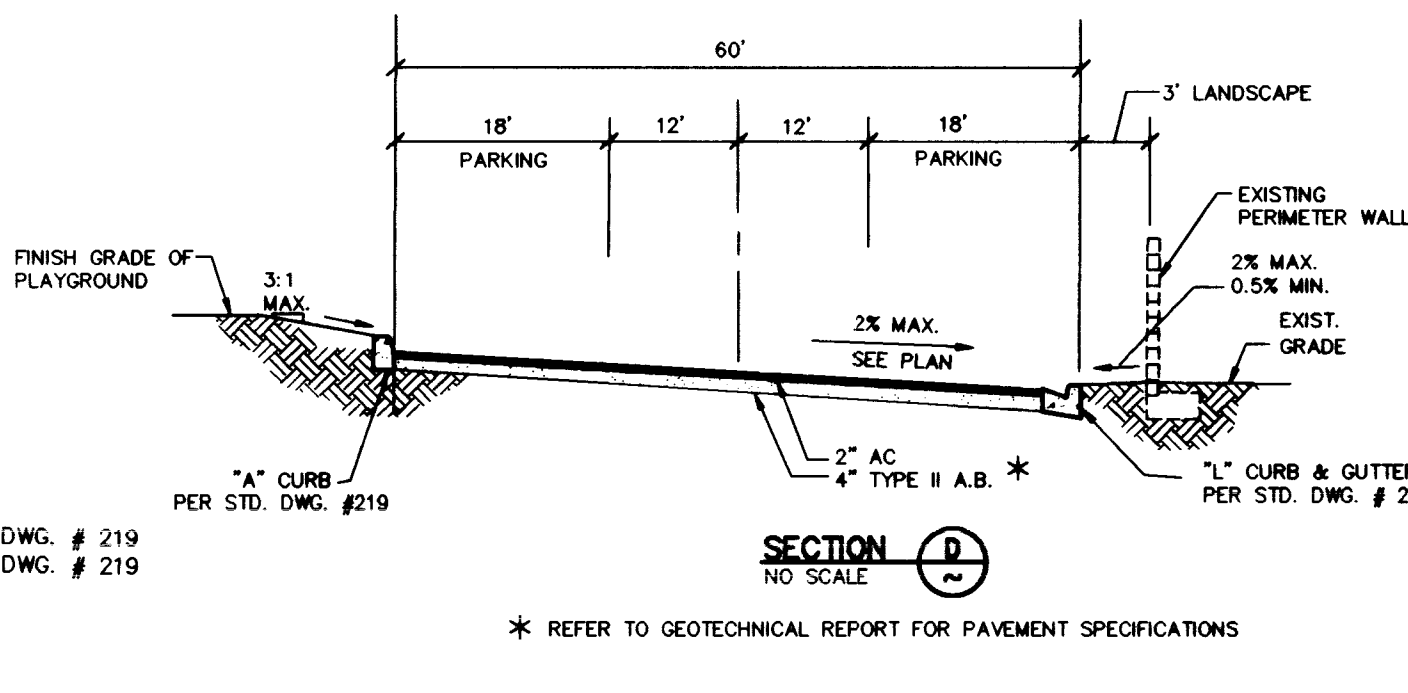
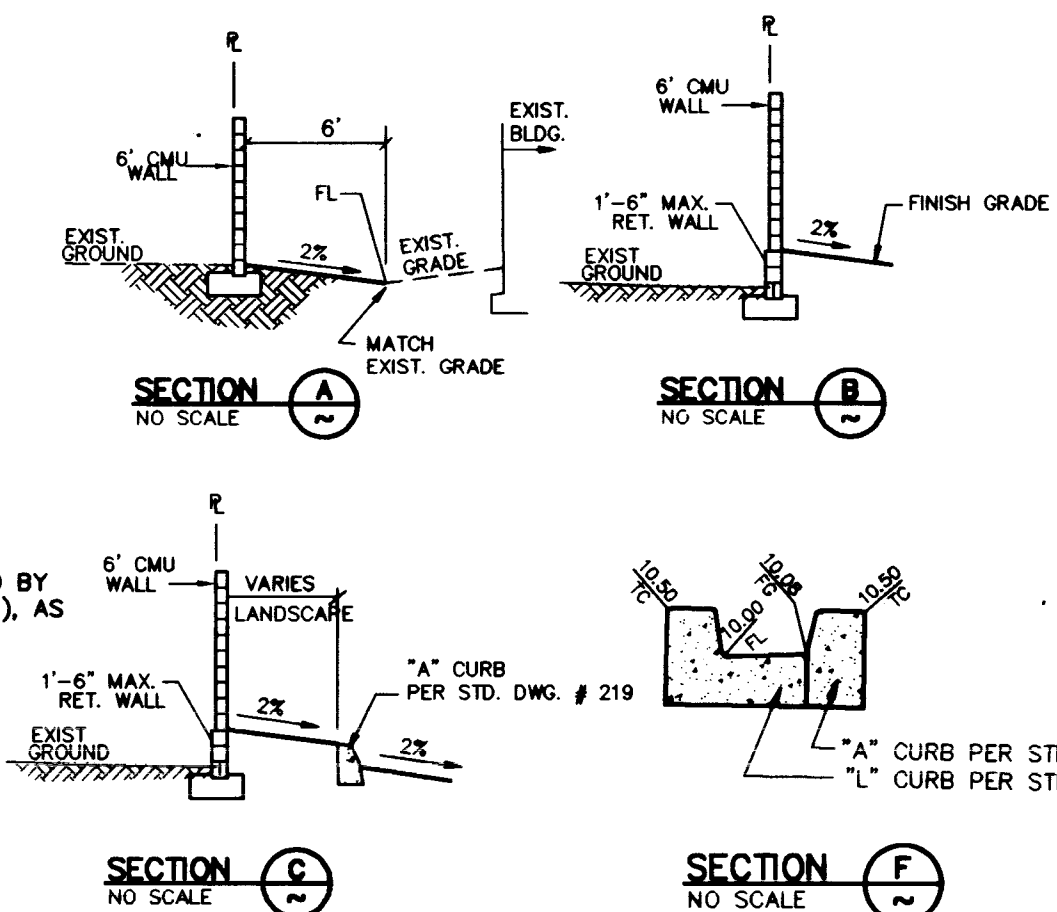
BASIS OF BEARINGS:

THE BASIS OF BEARINGS FOR THIS PROJECT IS GRID NORTH AS DEFINED BY THE NEVADA COORDINATE SYSTEM OF 1983 (NCS83), EAST ZONE, (2701), AS DETERMINED BY CONTROL POINTS 700, 704 AND 714, AS SHOWN ON A RECORD OF SURVEY ON FILE IN THE CLARK COUNTY, NEVADA, RECORDER'S OFFICE IN FILE 82 OF SURVEYS, AT PAGE 52.

BENCHMARK

CITY OF LAS VEGAS BENCHMARK NUMBER 2LV00-25H4
NAVD 88 ELEV: 683.3642 METERS (2242.00 FEET)

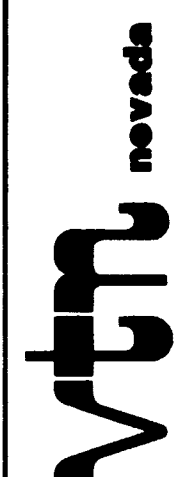
RIVET AND PLATE IN TOP OF CURB AT THE SOUTHEAST RETURN OF MICHAEL WAY AND VEGAS DRIVE.



LEGEND

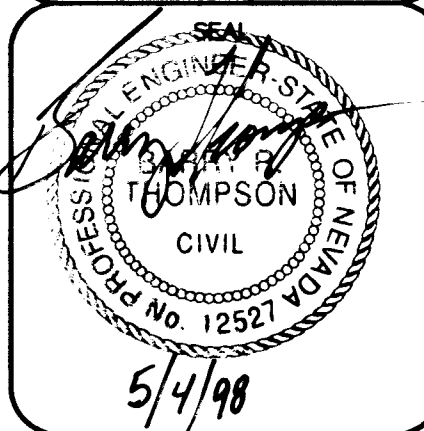
| | | |
|------|------------------|------------------------------------|
| FG | FINISH GRADE | EX. CONTOUR (5' INTERVAL) |
| FL | FLOW LINE | EX. CONTOUR (1' INTERVAL) |
| TC | TOP OF CURB | |
| NG | NATURAL GROUND | |
| EX | EXISTING | ① "A" TYPE CURB PER STD. DWG. #108 |
| BW | BACK OF SIDEWALK | ② "L" TYPE CURB PER STD. DWG. #108 |
| H.P. | HIGH POINT | ③ 4" PVC UNDERWALK DRAIN |
| L.P. | LOW POINT | ④ STRIPED HANDICAP ACCESS LANE |
| C/L | CENTER LINE | ⑤ SLOPE AND FLOW DIRECTION |
| BC | BACK OF CURB | ⑥ EDGE OF PAVEMENT |
| | EXISTING WALL | |
| | RETAINING WALL | |
| | BLOCK WALL | |
| | R/W OR P/L | |
| | EXIST. IMP. | |
| | CENTER LINE | |

DOWN SYNDROME ORGANIZATION
SOUTHERN NEVADA
CITY OF LAS VEGAS



GRADING PLAN

DOWN SYNDROME



NO. **6310**
BY **MT/HLA**
DATE **SEPT., 1997**
SCALE HORIZ. 10'
VERT. N.A.
SHEET **2** OF 2 SHEETS

