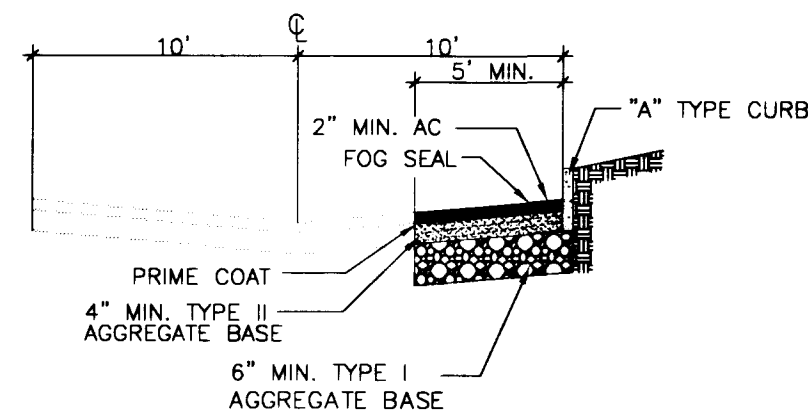


**V-GUTTER**

SCALE: 1" = 1'-0"

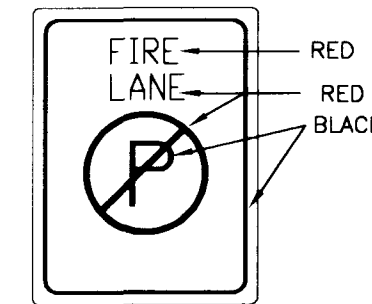
A  
G-2



**ALLEY HALF-STREET IMPROVEMENTS**

CLARK COUNTY STD. DWG. NO. 214

B  
G-2



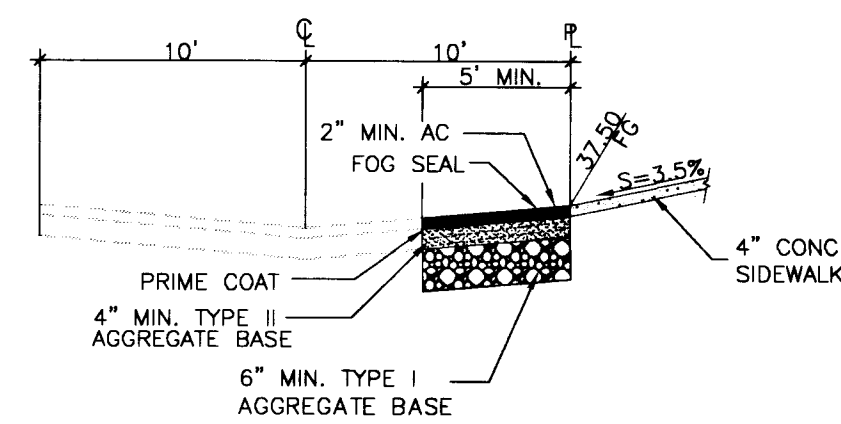
**MINIMUM SPECIFICATIONS OF "NO PARKING FIRE LANE SIGNS"**

SIZE: 1' WIDE x 1 1/2' LONG OR 2' WIDE x 2 1/2' LONG AS REQUIRED  
 COLOR: RED AND BLACK ON WHITE LUMINOUS BACKGROUND (SEE ABOVE EXAMPLE)  
 SYMBOL: INTERNATIONAL NO PARKING SYMBOL  
 HEIGHT: TO BE INSTALLED NOT LESS THAN SEVEN (7) FEET NOR MORE THAN TEN (10) FEET FROM GROUND LEVEL

**"FIRE LANE" SIGN**

SCALE: NO SCALE USED

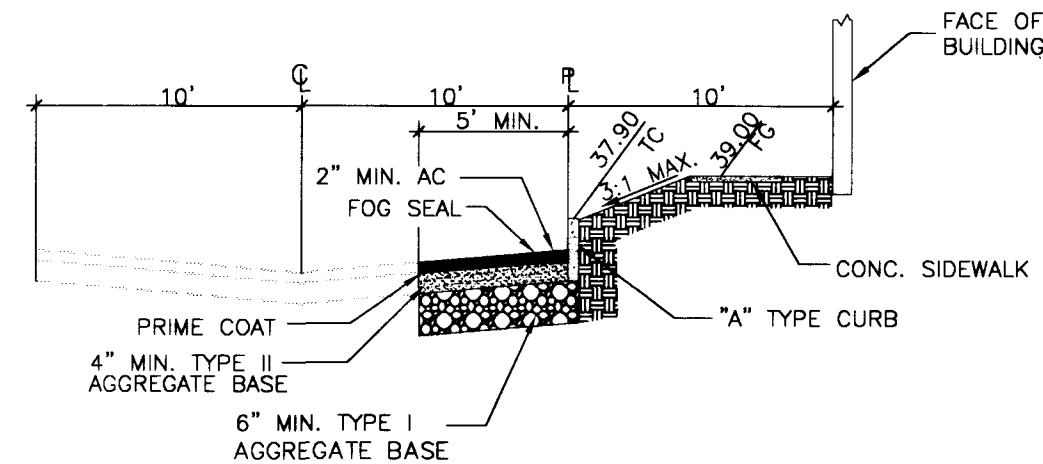
C  
G-2



**ALLEY SECTION**

SCALE: NONE USED

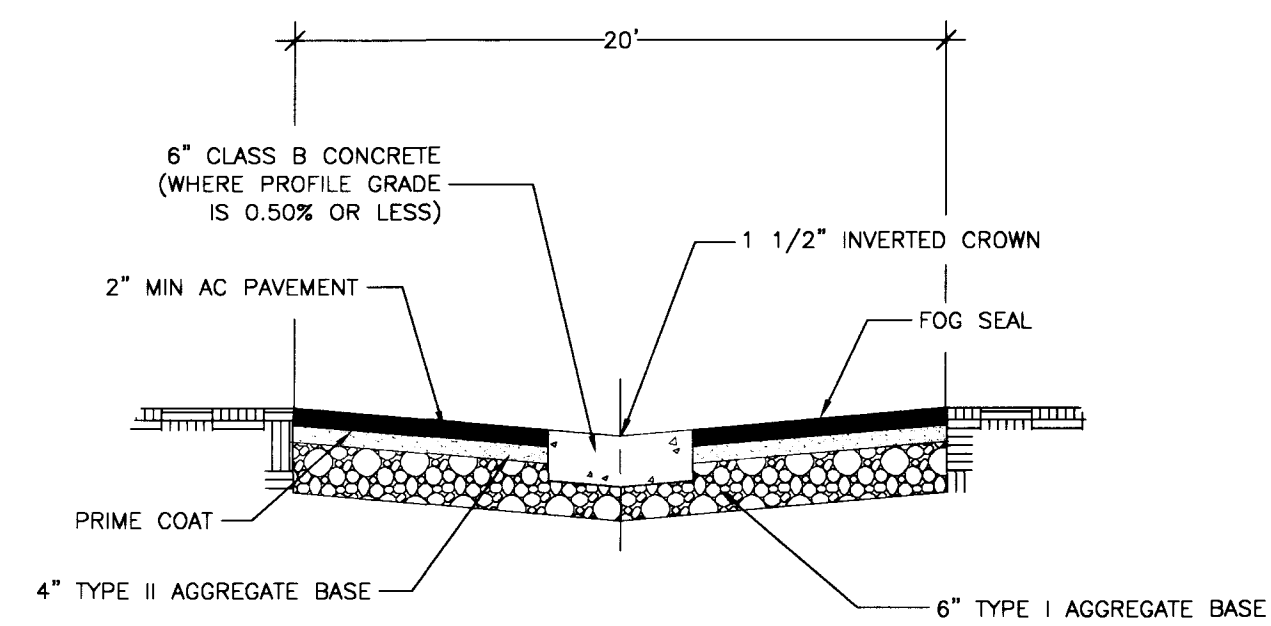
1  
G-2



**ALLEY SECTION**

SCALE: NONE USED

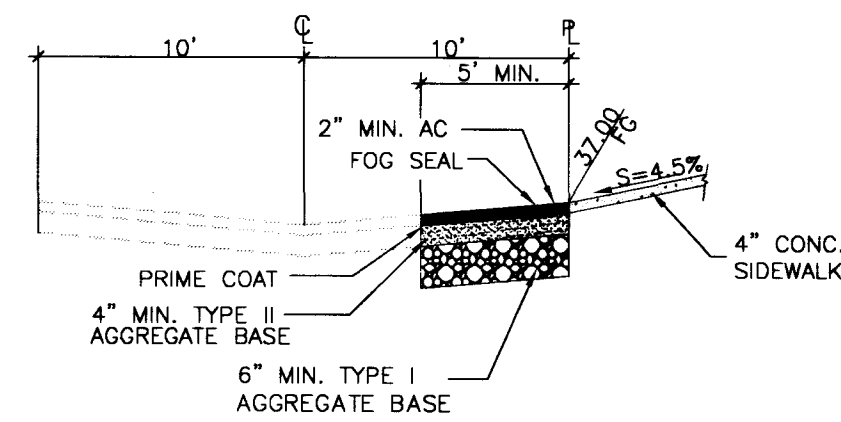
2  
G-2



**ALLEY SECTION**

SCALE: NO SCALE USED (CLARK CO. AREA STD. DWG NO. 214)

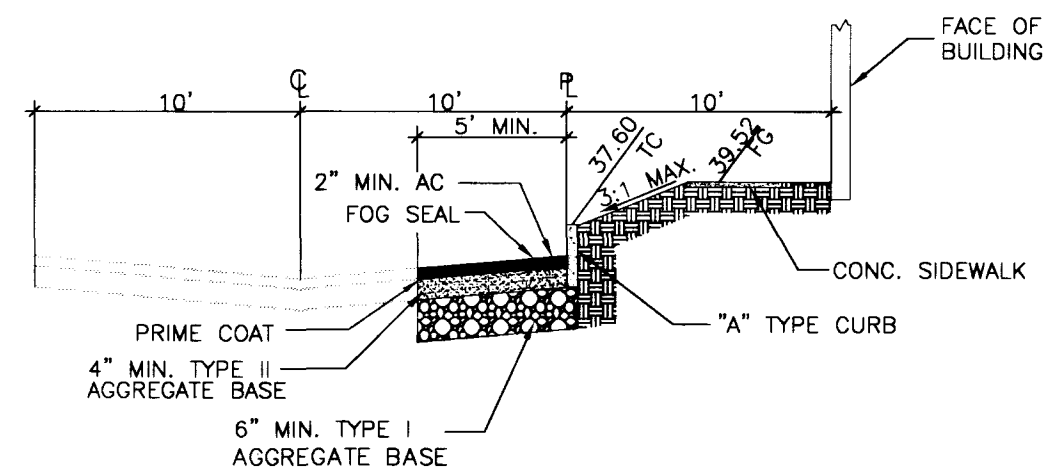
D  
G-2



**ALLEY SECTION**

SCALE: NONE USED

4  
G-2



**ALLEY SECTION**

SCALE: NONE USED

3  
G-2

**EDMUNDO & PANFLA ESCOBEDO**  
 3008 HOLLY HILL DR.  
 LAS VEGAS, NEVADA 89104-4305

Gomez  
 CONSULTING GROUP, INC.  
 11 WEST TACHTUP AVENUE  
 HENDERSON, NEVADA 89015-7304  
 (702) 566-0440

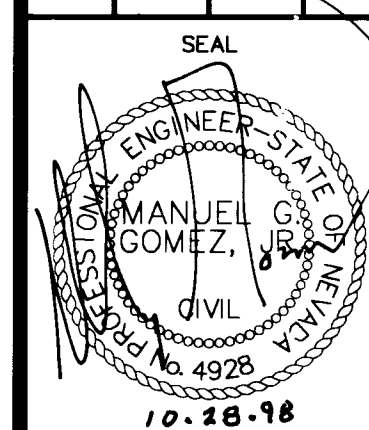
**GRADING  
 DETAIL  
 SHEET**

**ESCOBEDO  
 PLAZA**

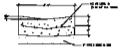
SHEET

TITLE

DRAWN BY: CLN	05-JAN-98
DESIGNED BY: CLN	05-JAN-98
CHECKED BY: MGG	12-MAY-98
PROJECT NO: SZ-402001	SCALE: VARIES NONE



10-28-98  
 SHEET  
**G-2**  
 7 OF 11 SHEETS  
 DRAWING NO.  
 107-V2888



V-GUTTER  
012 012 012



ALLEY HALF-STREET ROOF MOVEMENTS  
012 012 012 012



UNDESIRABLE TO BE USED IN ALLEYS...  
 1/2\"/>



ALLEY SECTION  
012 012 012



ALLEY SECTION  
012 012 012



ALLEY SECTION  
012 012 012 012



ALLEY SECTION  
012 012 012



ALLEY SECTION  
012 012 012



DRAWING NO. 100-100-100 DATE 10-10-10	
DRAWING BY CHECKED BY APPROVED BY	PROJECT NO. SHEET NO.
CONTRACT NO. 100-100-100 PROJECT NAME LOCATION	
SCALE UNIT DRAWN BY CHECKED BY APPROVED BY	
	
100-100-100 100-100-100	