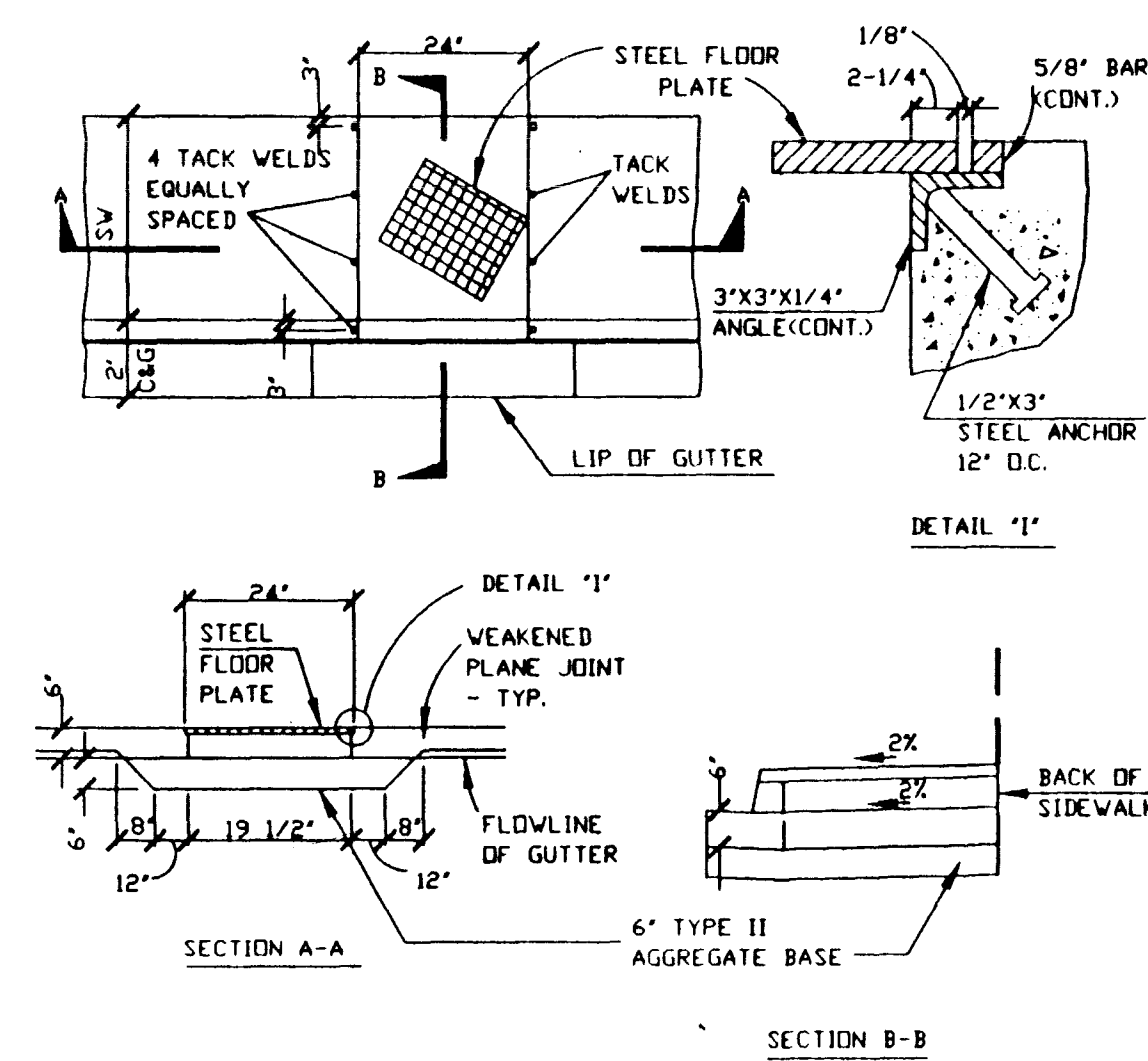


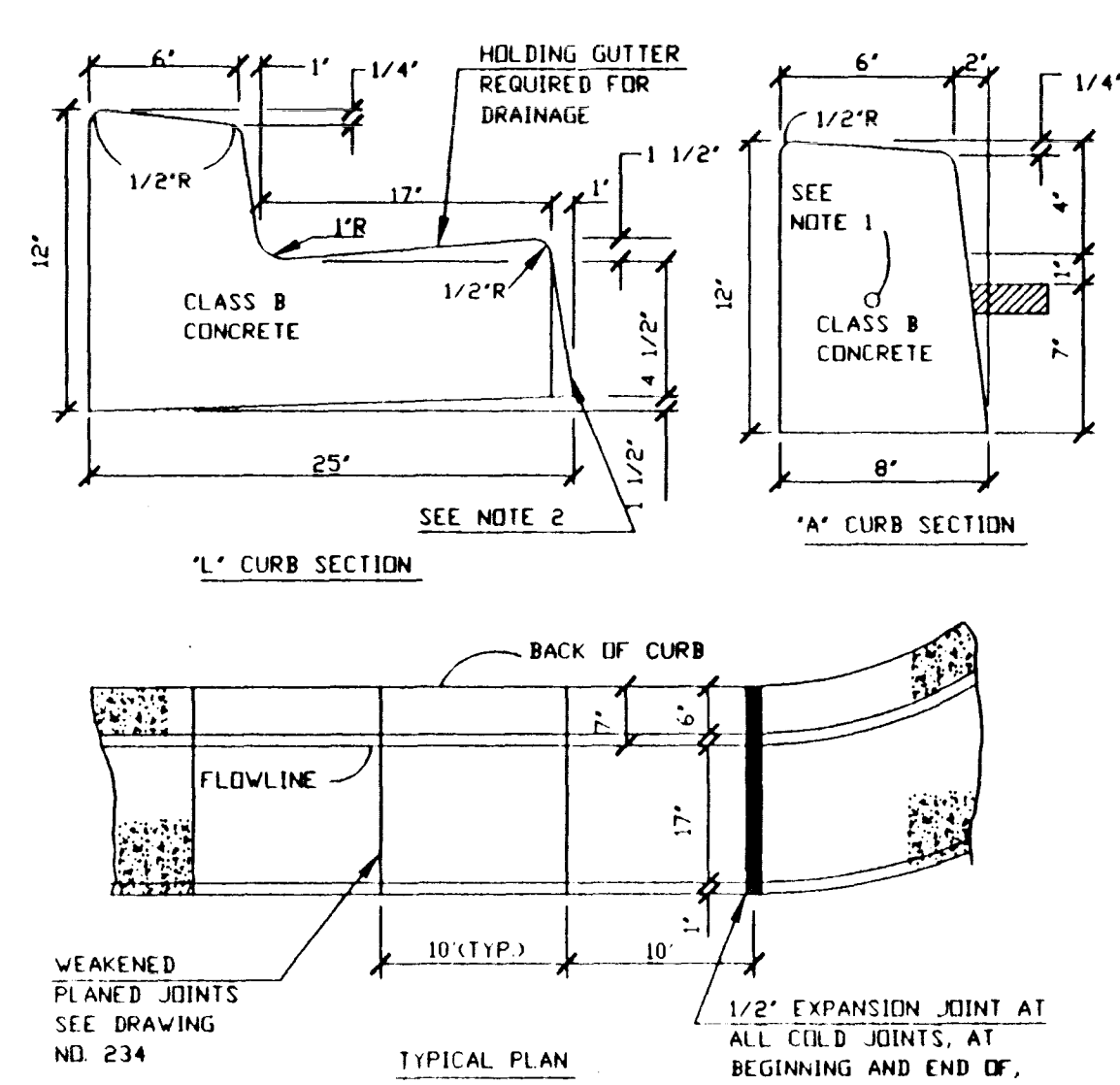
REVISIONS

REV	DESCRIPTION	DATE	BY
1	REVISED PER CCPW	8/16/98	WSC



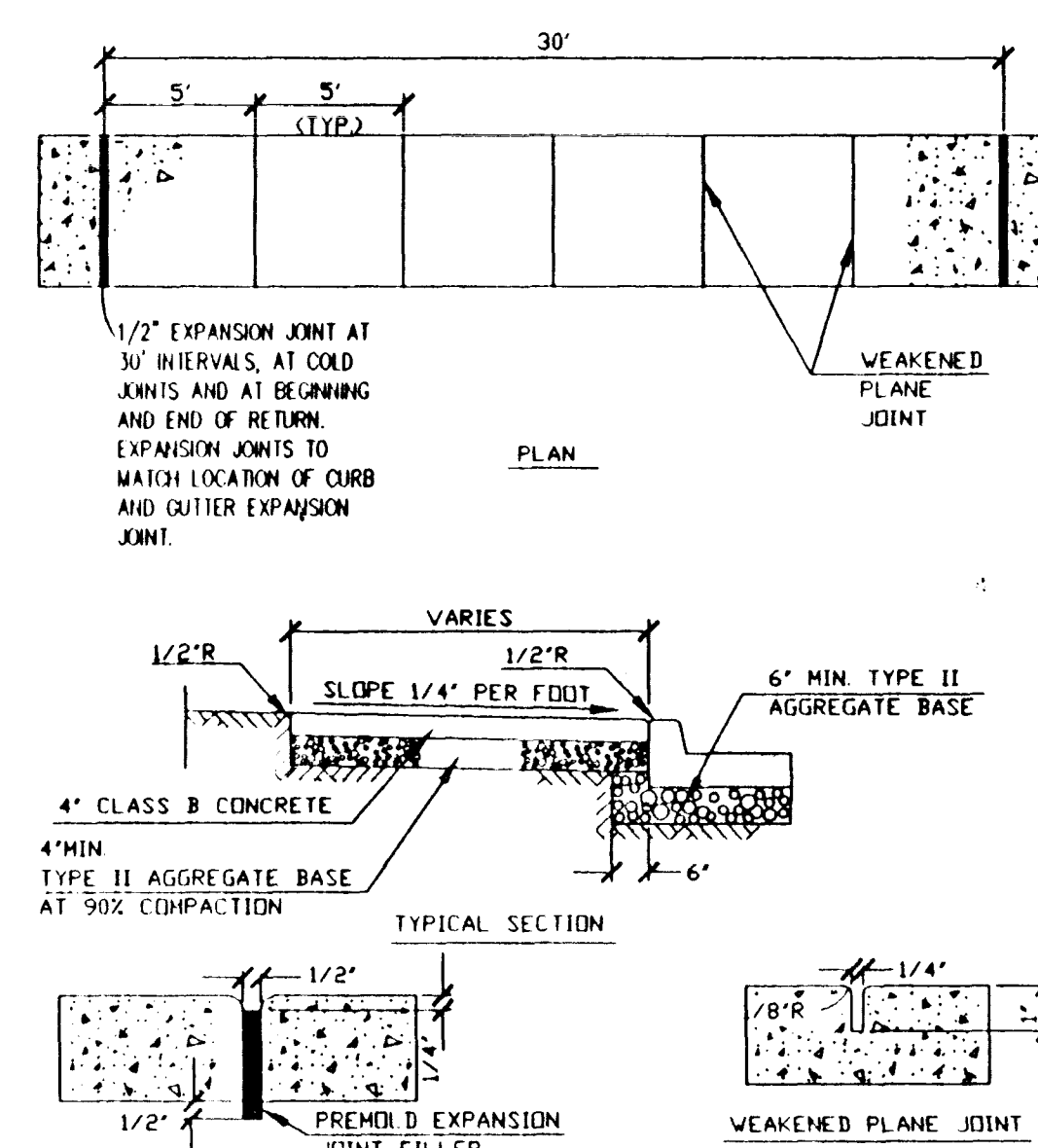
NOTES:  
1. ALL EXPOSED METAL PARTS SHALL BE GALVANIZED AND ALL GALVANIZING DAMAGED BY FABRICATION OR INSTALLATION SHALL RECEIVE TWO COATS OF ALUMINUM PAINT (GALVONOX OR EQUAL)

**SIDEWALK DRAIN DETAIL**  
NTS (1) C21.01



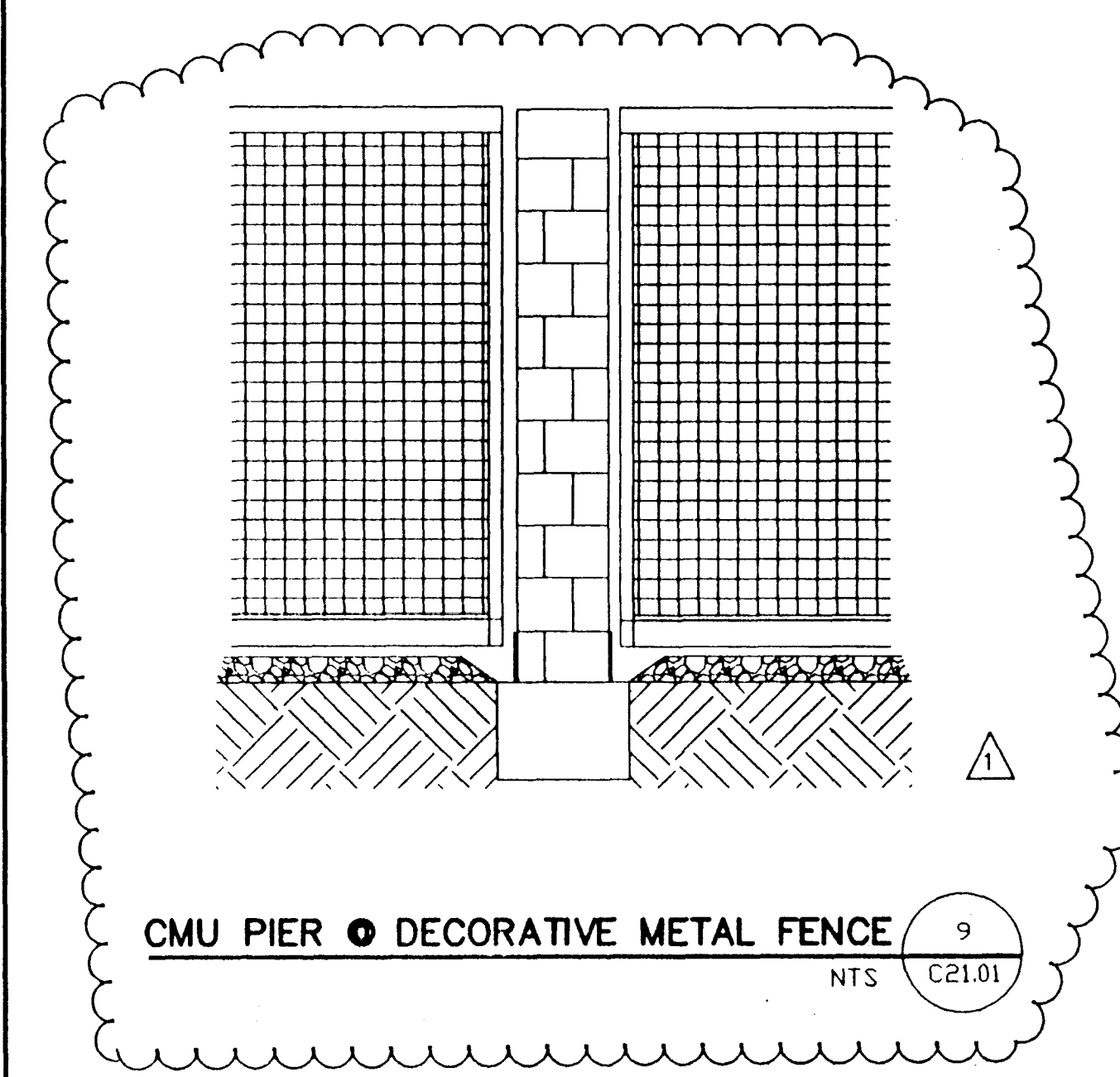
NOTES:  
1. CONTINUOUS NO. 4 BAR REQUIRED IN NOSE OF MEDIAN ONLY.  
2. 1\"/>

**ONSITE 'L' & 'A' CURB DETAILS**  
STD. DWG. NO. 120 NTS (2) C21.01



NOTE:  
1. ON ALL CURB RETURNS A 1/2\"/>

**SIDEWALK**  
STD. DWG. NO. 119 NTS (3) C21.01



**CMU PIER & DECORATIVE METAL FENCE**  
NTS (9) C21.01

RECORD DRAWING

By: *Kurt S. Anderson* DATE: 12/10/97  
THIS DRAWING WAS PREPARED FROM AS-BUILT INFORMATION PROVIDED BY THE CONTRACTOR AND THEREFORE WE ASSUME NO RESPONSIBILITY FOR ITS ACCURACY.

PLANNER	DATE	DATE	DATE	DATE	DATE
DESIGNER	DATE	DATE	DATE	DATE	DATE
CHECK COMPLIANCE	DATE	DATE	DATE	DATE	DATE
SITE ADMINISTRATION	DATE	DATE	DATE	DATE	DATE
FACILITY PLANNING	DATE	DATE	DATE	DATE	DATE
PROJECT MANAGER	DATE	DATE	DATE	DATE	DATE
FINAL REVIEW	DATE	DATE	DATE	DATE	DATE

PROJECT NO.	95134
ISSUED FOR REVIEW	
APPROVED BY	
DATE	12/11/95
DRAWN BY	
CHECKED BY	
SUBMITTAL	
PROJECT NO.	1495.00

CLARK COUNTY SCHOOL DISTRICT  
REHAB AND MODERNIZATION SERVICES 4660 EDUCALPTIUS AVENUE, LAS VEGAS, NV. 89121 -702-799-8386/5431

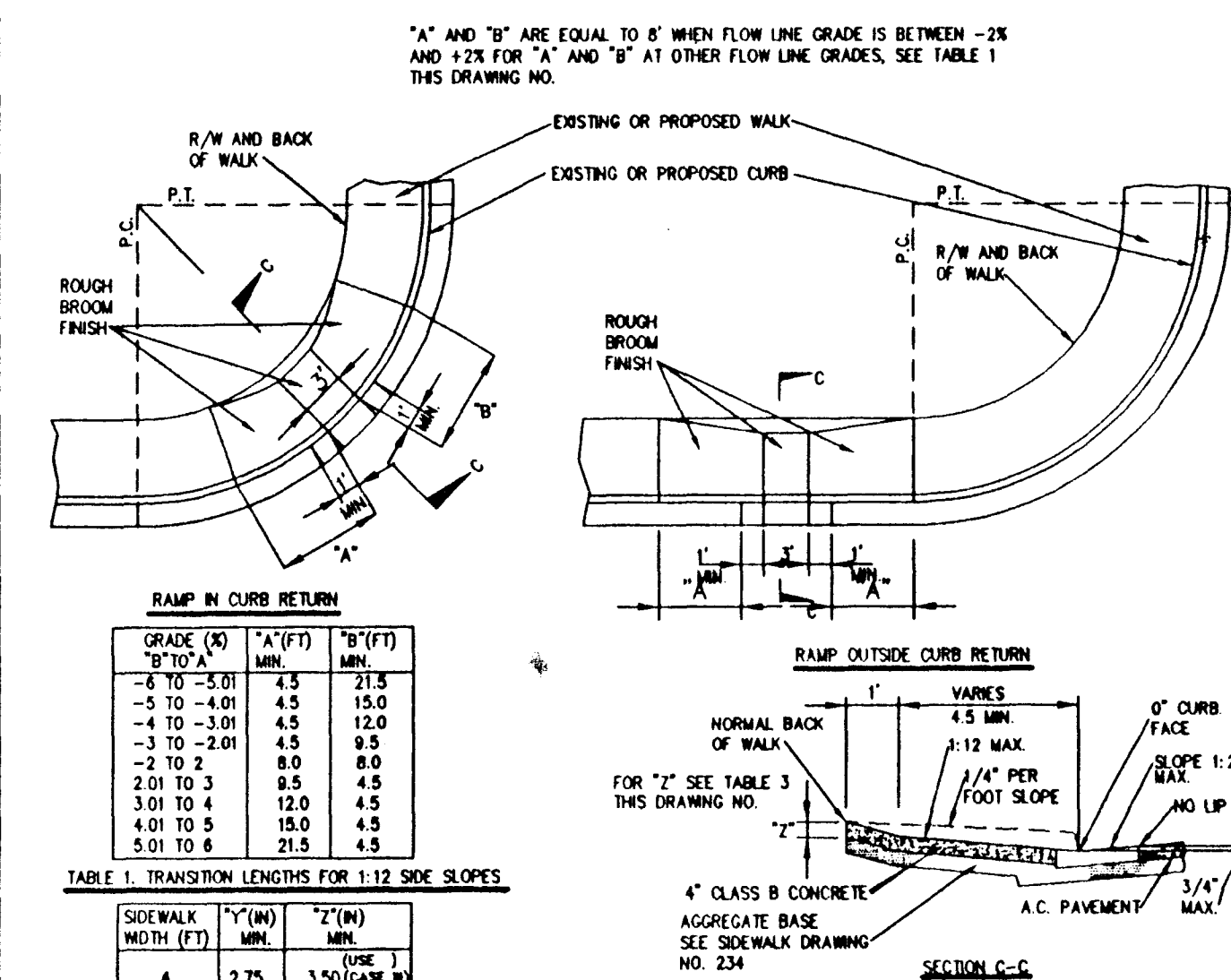
DEAN LAMAR ALLEN  
ELEMENTARY SCHOOL 0823

DETAIL SHEET

PROJECT TITLE

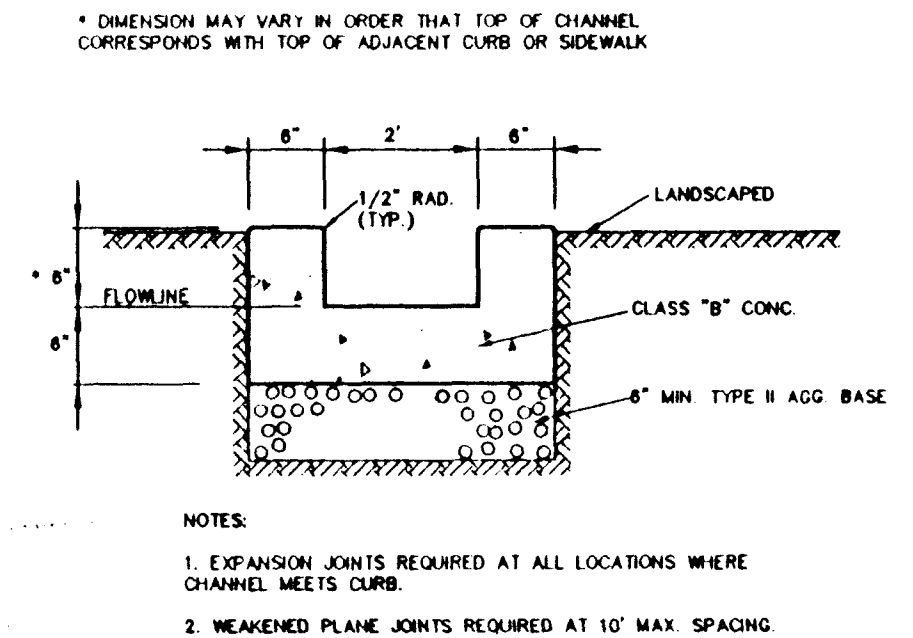
SHEET NO. C21.01  
21 OF 21

715-95



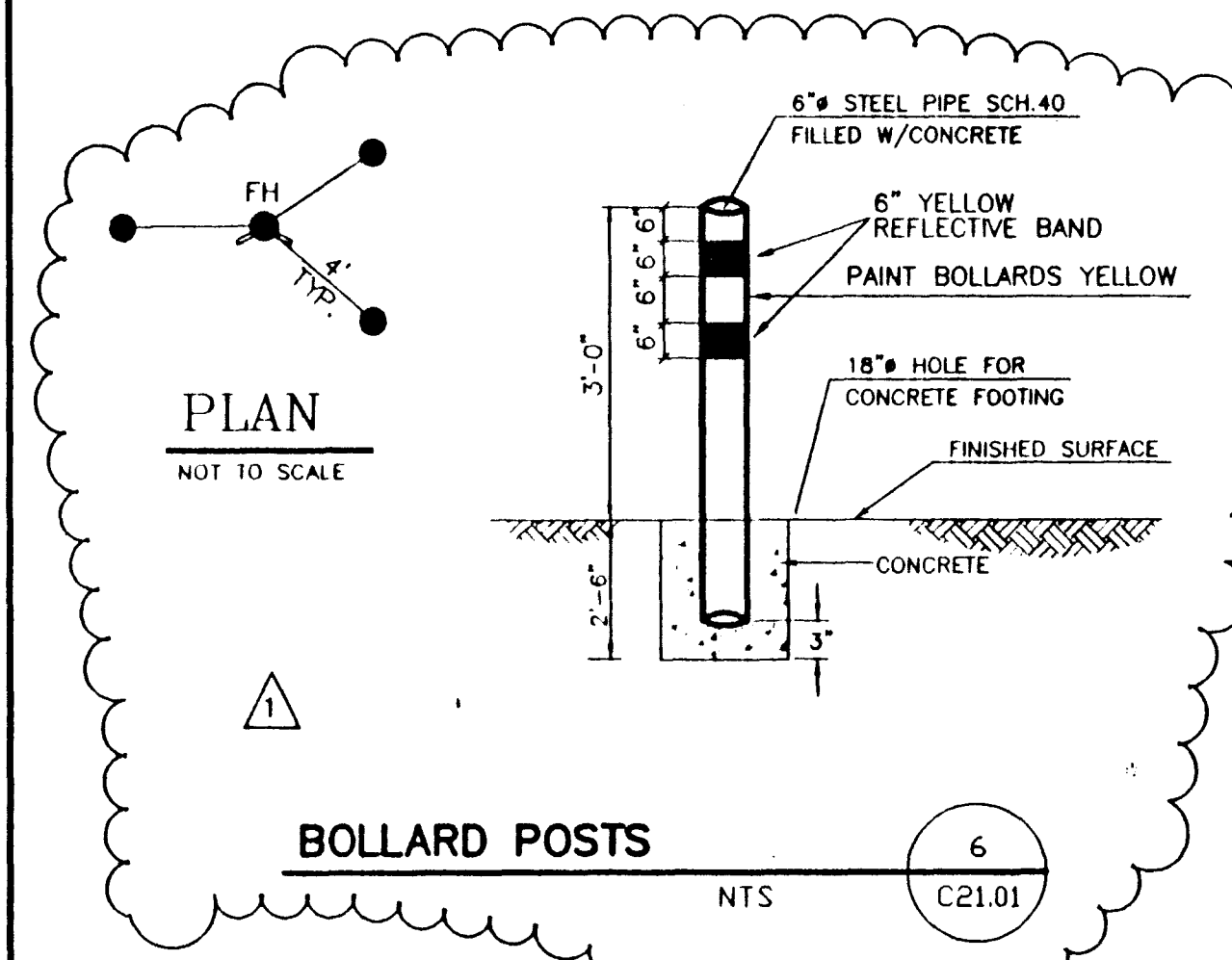
NOTE: CHARTS APPLY TO 6\"/>

**SIDEWALK RAMP - CASE I**  
STD. DWG. NO. 235 NTS (4) C21.01

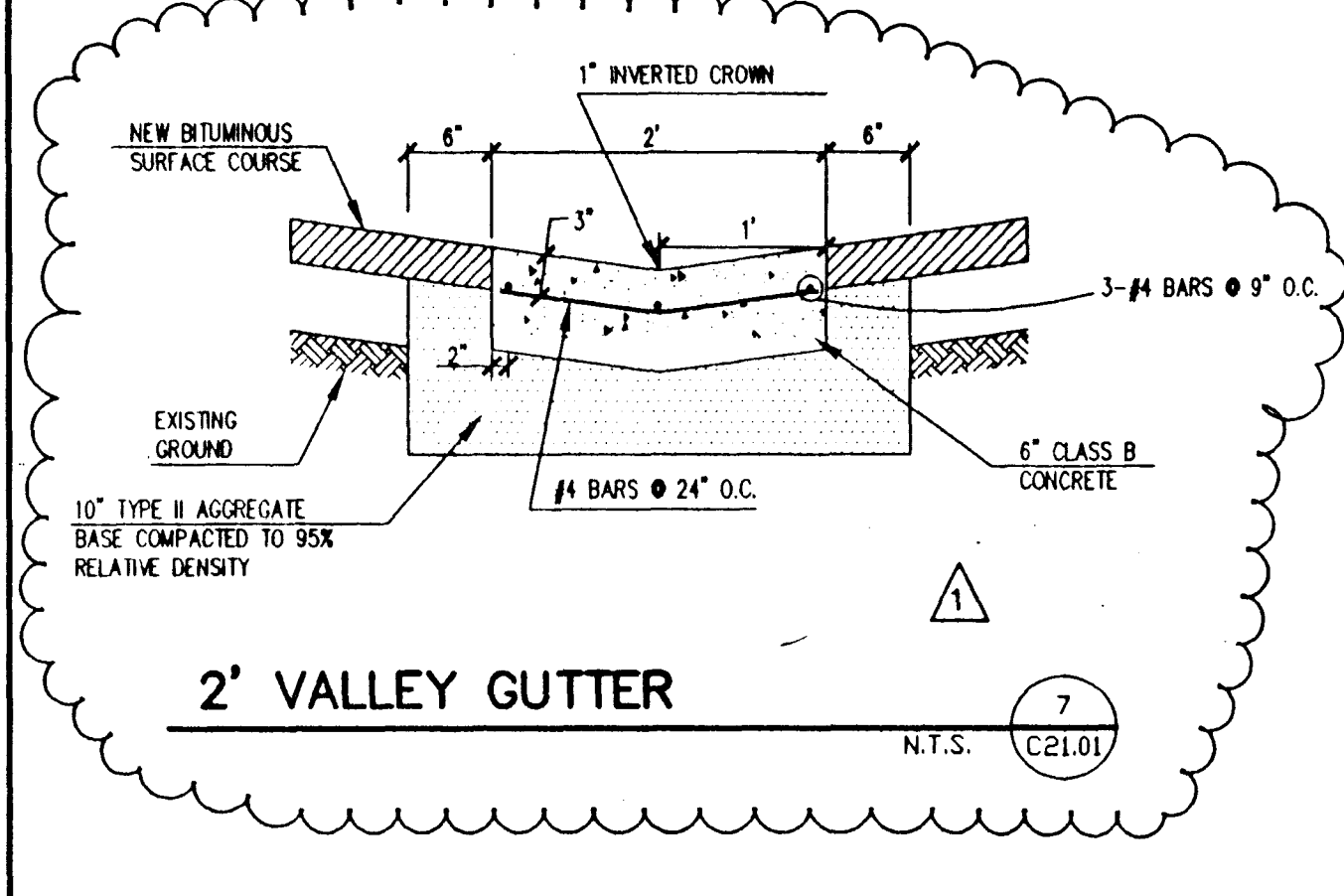


NOTES:  
1. EXPANSION JOINTS REQUIRED AT ALL LOCATIONS WHERE CHANNEL MEETS CURB.  
2. WEAKENED PLANE JOINTS REQUIRED AT 10' MAX. SPACING.

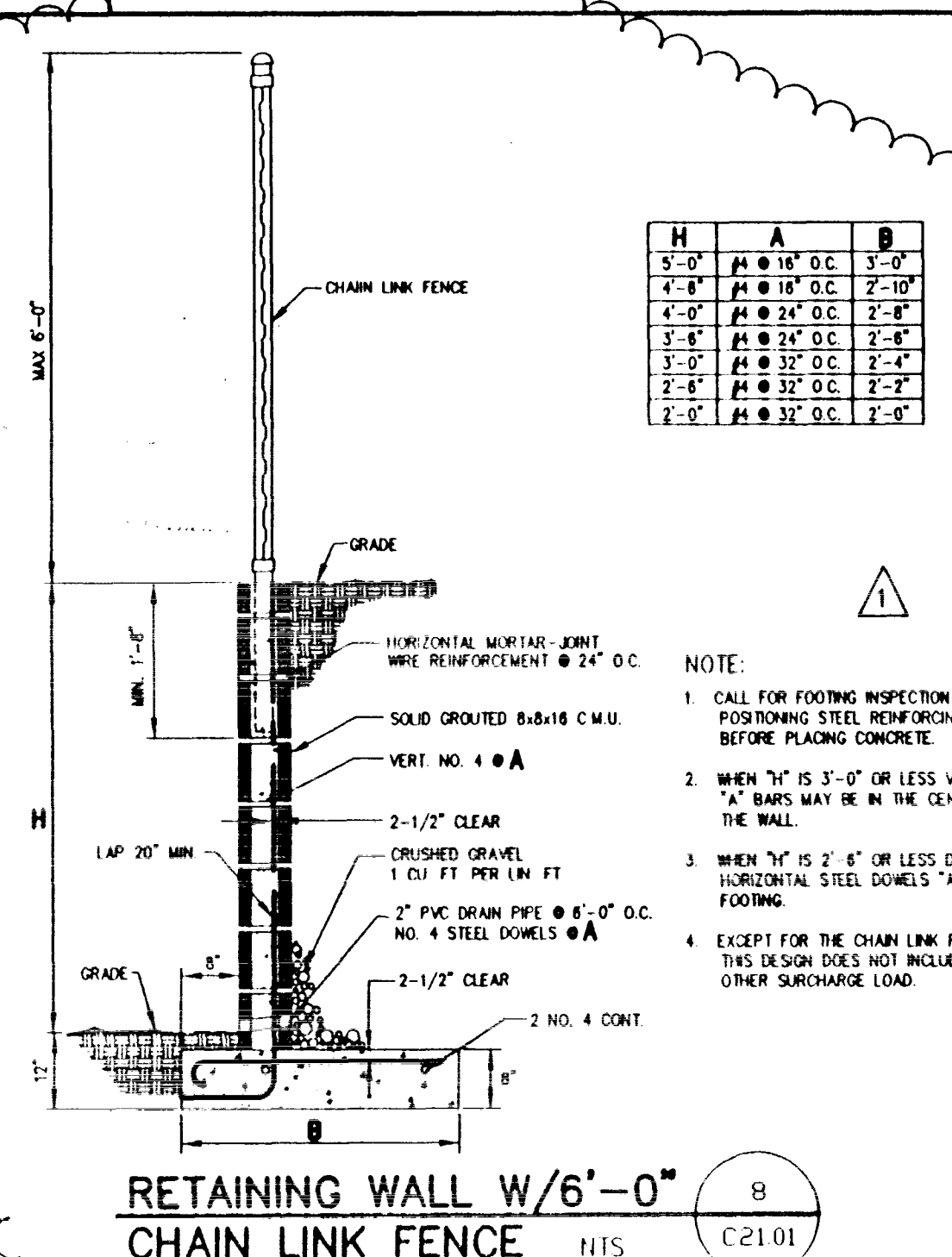
**2' CONCRETE CHANNEL**  
NTS (5) C21.01



**BOLLARD POSTS**  
NTS (6) C21.01



**2' VALLEY GUTTER**  
N.T.S. (7) C21.01



NOTE:  
1. CALL FOR FOOTING INSPECTION AFTER POSITIONING STEEL REINFORCING AND BEFORE PLACING CONCRETE.  
2. WHEN 'H' IS 3'-0\"/>

**RETAINING WALL W/6'-0\"/>**

