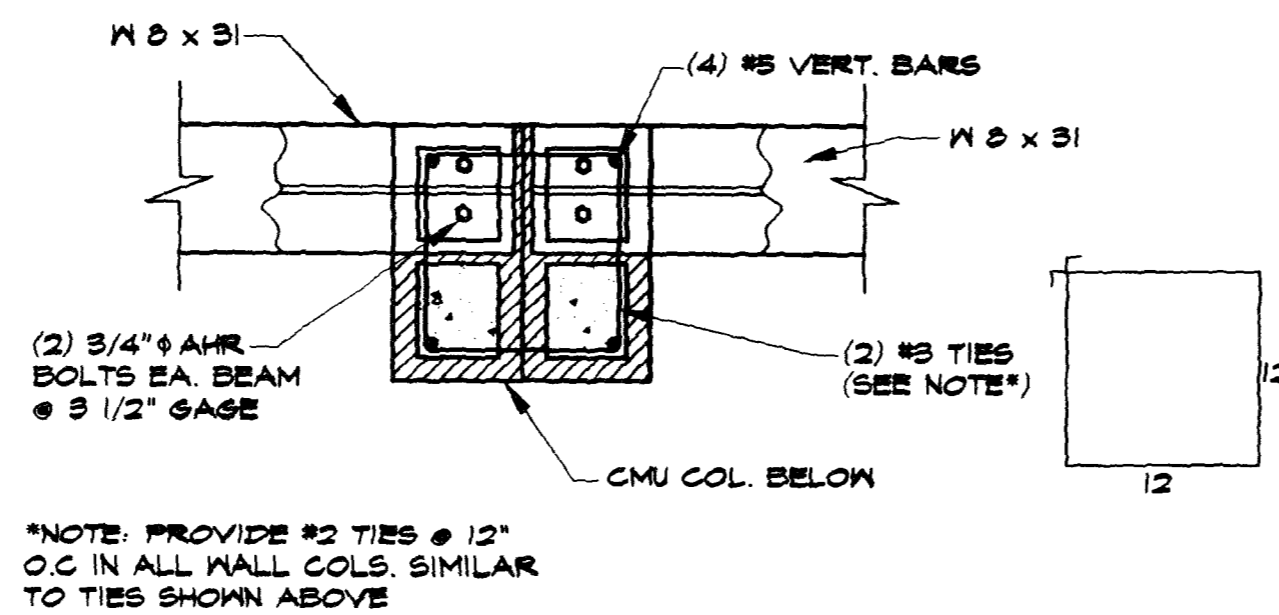
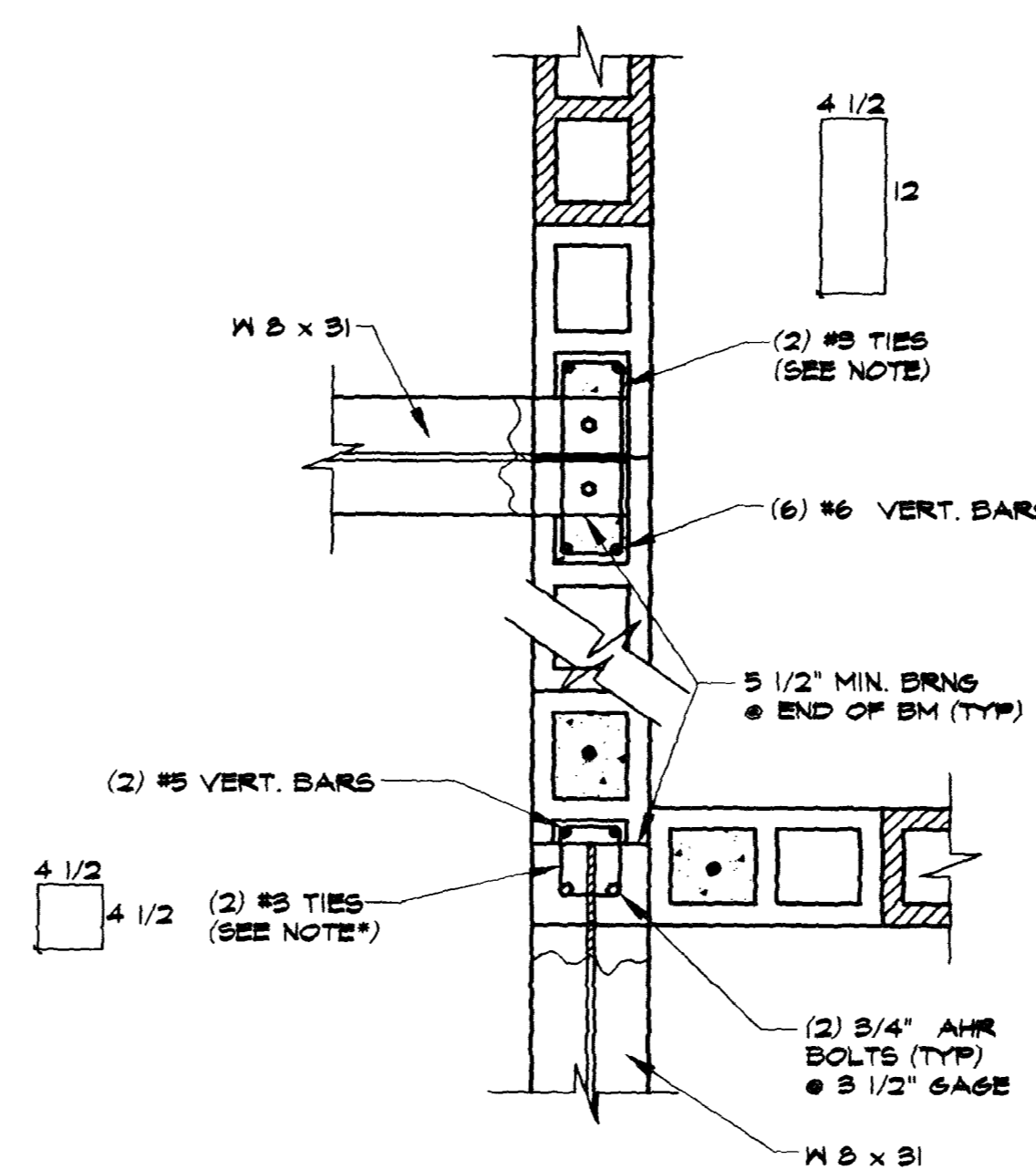


1 DETAIL @ CMU CORNER COLUMN
 S3 S5 SCALE: 3/4"=1'-0"



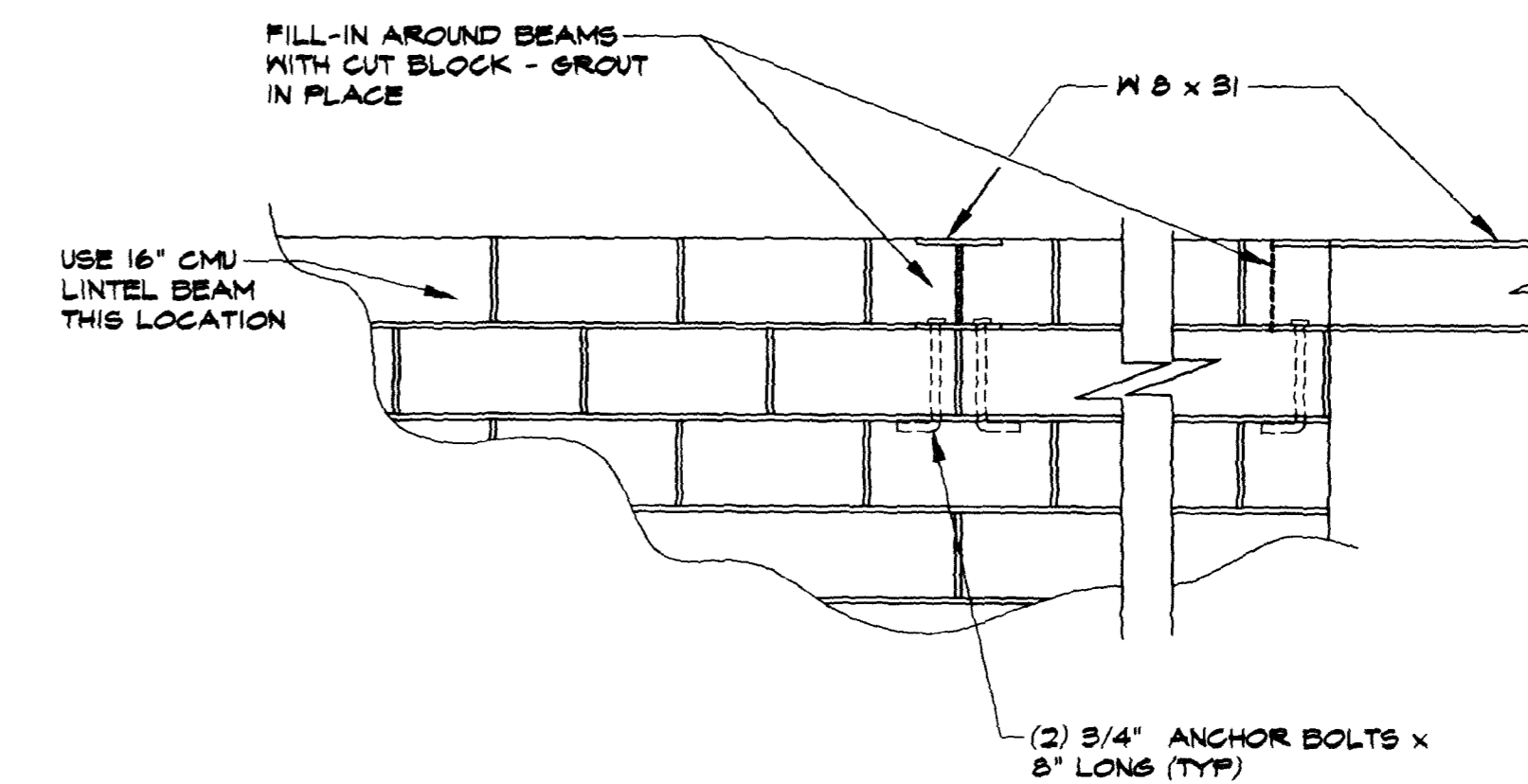
2 DETAIL @ CMU COLUMN
 S3 S5 SCALE: 3/4"=1'-0"

*NOTE: PROVIDE #2 TIES @ 12" O.C. IN ALL WALL COLS. SIMILAR TO TIES SHOWN ABOVE

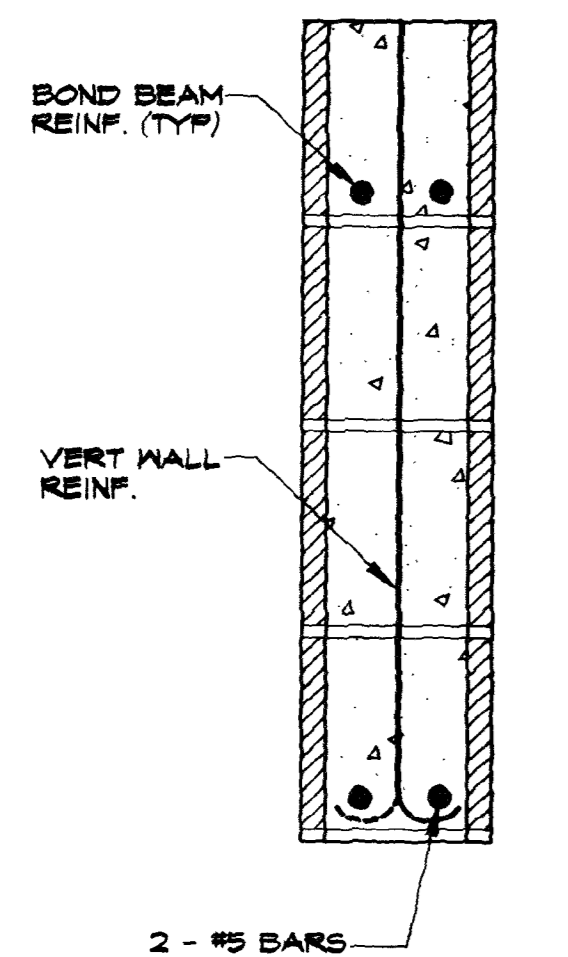


3 DETAIL @ CMU WALL COLUMN
 S3 S5 SCALE: 1"=1'-0"

*NOTE: PROVIDE #2 TIES @ 12" O.C. IN ALL WALL COLS. SIMILAR TO TIES ABOVE

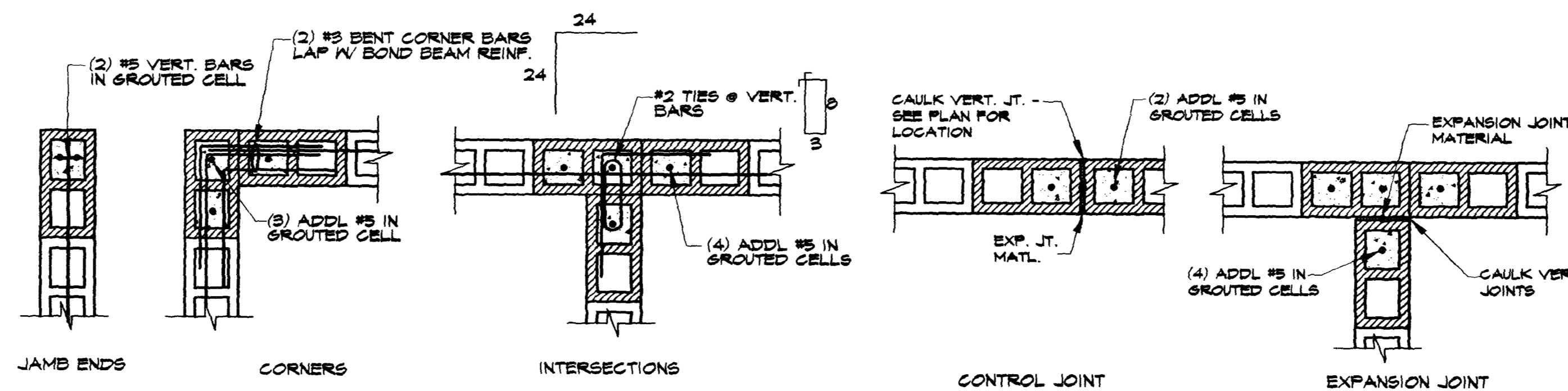


L ELEVATION
 S5 S5 SCALE: 3/4"=1'-0"



MASONRY LINTEL

4 DETAIL @ STEEL LINTEL BEAMS
 S3 S5 SCALE: 1-1/2"=1'-0"



5 ADDITIONAL MASONRY REINF.
 S2 S5 SCALE: 3/4"=1'-0"

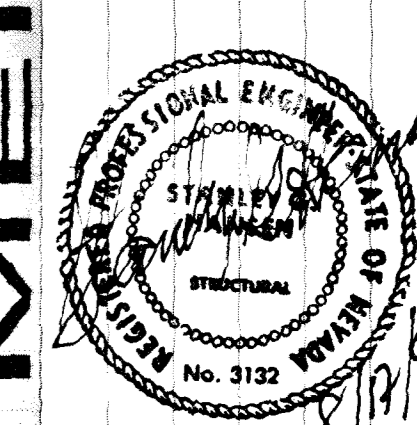


REVISIONS

CONSULTANT

CBA CELLA BARR ASSOCIATES
 Landscape Architecture Engineers Planners Surveyors Interiors
 1771 E. Flamingo Blvd. #105-B Las Vegas, NV 89119 (702)832-7778
 (Fax: 702)832-7778

ELKHORN AND DURANGO
 BALLFIELD COMPLEX
 SECTIONS AND DETAILS



DEPARTMENT OF PUBLIC WORKS
 ARCHITECTURAL SERVICES
 400 EAST STEWART AVENUE
 LAS VEGAS, NEVADA 89101
 PHONE: (702) 229-8338
 FAX: (702) 382-8232
 TDD: (702) 386-9108

ARCHITECT
 RICHARD DANIELSON, AIA

DRAWN: CLR
 FILE: SHEETSADJUG
 DATE: AUGUST 1998
 SCALE: SEE DETAILS
 PROJECT: ELKHORN AND DURANGO BALLFIELD COMPLEX
 SHEET NO.

S5
 SHEET 43 OF 54

675-V35

V:\880154\ARCHIT\ARCHIT\SHEETS\4.DWG Men Aug 17 08:13:05 1998 CASSIE RIDENOUR

