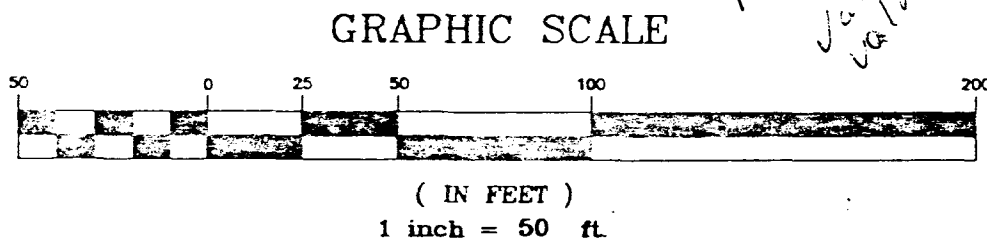


SANITARY SEWER NOTE(S)
 1. SEWER CONTRIBUTION: AVG. DAILY FLOW = 0.00970 MGD
 LEAK LOSS FLOW = 0.00000 MGD
 2. THE SEWER LINE PROPOSED BY THE MOUNTAIN GATE TOWNHOMES PROJECT, IN LONE MTN. RD, WILL BE INSTALLED WITH THIS PROJECT IF NOT EXISTING AT TIME OF DEVELOPMENT.
 3. A SEGMENT OF THE DOWNSTREAM SEWER SYSTEM(S) HAS NOT BEEN COMPLETED AND/OR ACCEPTED FOR MAINTENANCE, ANY CONSTRUCTION PERFORMED ON THIS PROJECT PRIOR TO THE COMPLETION OF THE DOWNSTREAM SEWER SYSTEM(S) SHALL BE DONE AT THE DEVELOPER'S OWN RISK. THE CITY OF LAS VEGAS RESERVES THE RIGHT TO PREVENT THIS PROJECT FROM CONNECTING TO THE SEWER SYSTEM(S) UNTIL SUCH TIME AS THE DOWNSTREAM SYSTEM(S) HAVE BEEN COMPLETED, AND/OR ACCEPTED FOR MAINTENANCE.

UNDEVELOPED
 APN 18-21-014



LEGAL DESCRIPTION
 THE SOUTHWEST QUARTER (SW 1/4) OF THE SOUTHWEST QUARTER (SW 1/4) OF THE SOUTHEAST QUARTER (SE 1/4) OF SECTION 35, TOWNSHIP 19 SOUTH, RANGE 60 EAST, M.D.B. & M., CLARK COUNTY NEVADA. THIS PARCEL CONTAINS 9.55 ACRES +/-

ESTIMATE OF QUANTITIES

SEWER

6" PVC SEWER MAIN	1317 LF±
4" PVC SEWER LATERAL	1192 LF±
① 4" DIAM SEWER MANHOLE	3 EA

WATER

6" PVC WATER MAIN	1412 LF±
6" PVC WATER MAIN	178 LF±
1" WATER SERVICE	38 EA
3/4" METER	38 EA
② 8" X 10" TEE	2 EA
③ 8" GATE VALVE	4 EA
④ 8" 90° BEND	1 EA
⑤ 8" 45° BEND	2 EA
⑥ STD. FIRE HYDRANT W/ASSEMBLY	3 EA
⑦ 2" BLOW OFF ASSEMBLY	2 EA
⑧ 8" - 6" REDUCER	1 EA

STORM DRAIN (SEE GRADING PLAN FOR DESIGN)

TYPE "A" INLET (W = 4', D = 3.15')	1 EA
18" RCP	21 LF
6" PVC	415 LF
6" 45° BEND	1 EA
CLEAN OUT	1 EA

STREET LIGHTS

⑥ 250 W.H.P.S. STREET LIGHT	5 EA
⑦ 200 W.H.P.S. STREET LIGHT	3 EA
⑧ 100 W.H.P.S. STREET LIGHT	8 EA
⑨ NO. 3 1/2 PULL BOX	3 EA
⑩ 1 1/4" PVC CONDUIT	2678 LF±

TRAFFIC SIGNAL

POLE (SEE ⑩ & NOTE)	1 EA
⑫ NO. 5 PULL BOX (INTERCONNECT)	7 EA
⑬ NO. 7 PULL BOX	1 EA
⑭ 2" CONDUIT	395 LF±
⑮ 2" INTERCONNECT CONDUIT	1356 LF±
⑯ 3" CONDUIT (404.1306)	258 LF±

MISC.

⑩ STREET NAME SIGN (9" D3)	8 EA
⑪ STOP SIGN (R1-1)	2 EA
ROAD NARROWS (WS-1)	1 EA
⑬ NO PARK SIGN (R8-3A 24" X 24")	6 EA
⑭ SPEED LIMIT SIGN (R2-1 24" X 30") (25 MPH.)	2 EA
REFLECTOR SIGN (OM-3R)	4 EA

TRAFFIC SIGNAL POLE NOTE
 STD. ST. LT. POLE W/ 250 W.H.P.S. TIE INTO STREET LIGHT CIRCUIT.
 INSTALL TYPE "L" FOUNDATION 404.209 WITH BASE ADAPTOR PLATE 404.409. TIE INTO #7 PULLBOX WITH 2" CONDUIT.

UTILITY LATERAL NOTE
 SEWER AND WATER SERVICE LATERAL LOCATIONS ARE APPROXIMATE. THE LATERALS ARE NOT TO BE LOCATED UNDER DRIVEWAYS AND 4" MINIMUM SEPARATION MUST BE PROVIDED BETWEEN SEWER AND WATER LATERALS SERVING ONE BUILDING.

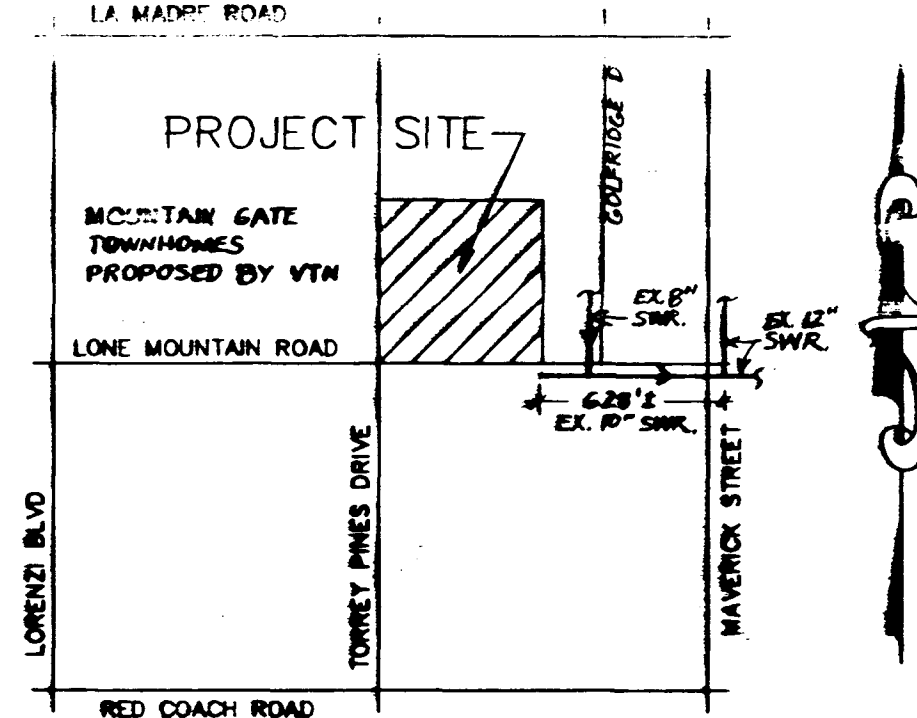
STREET LIGHT NOTE
 STREET LIGHTS TO BE LOCATED PER STD. DWG'S: 302, 303, 305, 306, 307 & 318

FIRE FLOW DATA

FIRE FLOW REQUIREMENT IS 1500 GPM @ 20 PSI RESIDUAL

BASED ON:
 SQUARE FOOTAGE: LESS THAN 2400 SF
 LARGEST AREA BETWEEN AREA SEPARATION WALLS: N/A
 HEIGHT: 2 STORY, MAXIMUM 25'
 TYPE OF CONSTRUCTION: FRAME/STUCCO (V-N)
 EXPOSURE: 10' MIN
 SPRINKLER SYSTEM: N/A
 OCCUPANCY: SINGLE FAMILY
 ROOF CONSTRUCTION: WOOD FRAME/CLAY TILE

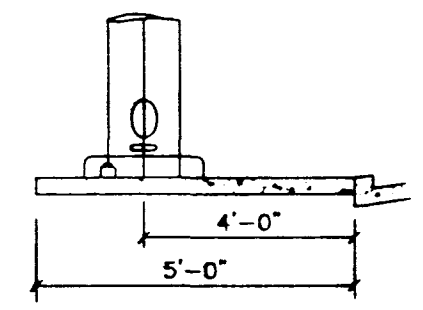
REVIEWED BY: _____
 DATE: _____



VICINITY MAP

LEGEND

- ⊕ EXISTING POWER POLE
- ⊕ EXISTING STREET LIGHT
- ⊕ PROPOSED STREET LIGHT
- ⊕ EXISTING EDGE OF AC PAVING
- ⊕ BLOCK NUMBER
- ⊕ PROPOSED STREET LIGHT CONDUIT
- ⊕ PROPOSED 2" CONDUIT FOR TRAFFIC SIGNAL INTERCONNECT
- ⊕ PROPOSED 2" CONDUIT LOOP
- ⊕ PROPOSED 3" CONDUIT
- ⊕ STOP SIGN
- ⊕ STREET NAME SIGN
- ⊕ PROPOSED FIRE HYDRANT
- ⊕ EXISTING FIRE HYDRANT
- ⊕ PROPOSED DRIVEWAY LOCATION
- ⊕ PHOTO CELL



STREET LIGHT LOCATION

NOTE: ALL HAND HOLE COVERS MUST BE INSTALLED, POLE CAPS RAISED & PULL BOX W/ BUILT DOWN PRIOR TO ENERGIZING CIRCUIT. ALL WIRE MUST HAVE THW INSULATION.

WATER SERVICE NOTE

A 1" X 3/4" ANGLE METER STOP AND 3/4" METER BOX WILL BE REQUIRED WITH THE 1" SERVICE LATERALS FOR ALL SERVICES WITH 5/8" OR 3/4" SERVICES. DETAILS OF THE ABOVE INSTALLATION ARE AVAILABLE FROM THE ENGINEERING SERVICES DIVISION AND FROM THE DISTRICT'S INSPECTORS.

DEVELOPER/ OWNER

THE LARRY S. LARKIN FAMILY TRUST
 1700 E. DESERT INN #405
 LAS VEGAS, NEVADA 89109

LVWD STICKER
 PROJECT NAME: Elegance 2
 This project water plan complies with the Las Vegas Valley Water District's technical requirements. However, this water plan is NOT APPROVED. NO REPRESENTATION IS MADE THAT ALL EXISTING UTILITIES ARE SHOWN HEREON. THE ENGINEER ASSUMES NO RESPONSIBILITY FOR UTILITIES NOT SHOWN OR UTILITIES NOT SHOWN IN THEIR PROPER LOCATION.
 Date: 3/3/95

Carl Lambert 3-3-95
 NEVADA POWER DATE
James Madala 3-3-95
 FIRE DEPARTMENT DATE
John G. Goff 3-23-95
 L.V.V.W.D. DATE

NOTICE TO CONTRACTOR!
 EXISTING UTILITY LOCATIONS SHOWN HEREON ARE APPROXIMATE ONLY. IT SHALL BE THE CONTRACTOR'S RESPONSIBILITY TO DETERMINE THE EXACT VERTICAL AND HORIZONTAL LOCATION OF ALL EXISTING UNDERGROUND UTILITIES PRIOR TO COMMENCING CONSTRUCTION. NO REPRESENTATION IS MADE THAT ALL EXISTING UTILITIES ARE SHOWN HEREON. THE ENGINEER ASSUMES NO RESPONSIBILITY FOR UTILITIES NOT SHOWN OR UTILITIES NOT SHOWN IN THEIR PROPER LOCATION.

AVOID CUTTING UNDERGROUND UTILITIES. IT'S COSTLY!
CALL before you DIG
 1-800-227-2600
 UNDERGROUND SERVICE (USA)

REVISIONS

NO.	DATE	BY	APP'D	REVISION DESCRIPTION

DATE: 3/2/95

SOUTHWEST ENGINEERING
 LAND PLANNING/MAPPING/DEVELOPMENT
 5426 W. VEGAS DRIVE
 LAS VEGAS, NEVADA 89108
 (702) 648-8700

PROJECT: **MASTER UTILITY AS-BUILTS**

ELEGANCE 2

TITLE: _____ PROJECT: _____

WORK ORDER NO: 941108

DESIGN BY: C.M./C.H./M.J.

DATE: 5/23/95

SCALE: 1" = 50'

CADFILE: ELG2UTIL.DWG

SHEET 4 OF 9 SHEETS

5039

As-Built 307Y-4419

