

BENCHMARK
 1C90 32SES BEING A RIVET AND SQUARE ALUMINUM PLATE IN A CONCRETE MONUMENT, 3' NORTHWEST OF STOP SIGN, 60' NORTH AND 30' WEST OF DURANGO DRIVE AND LONE MOUNTAIN ROAD.
 ELEVATION = 2911.56' NAVD 88

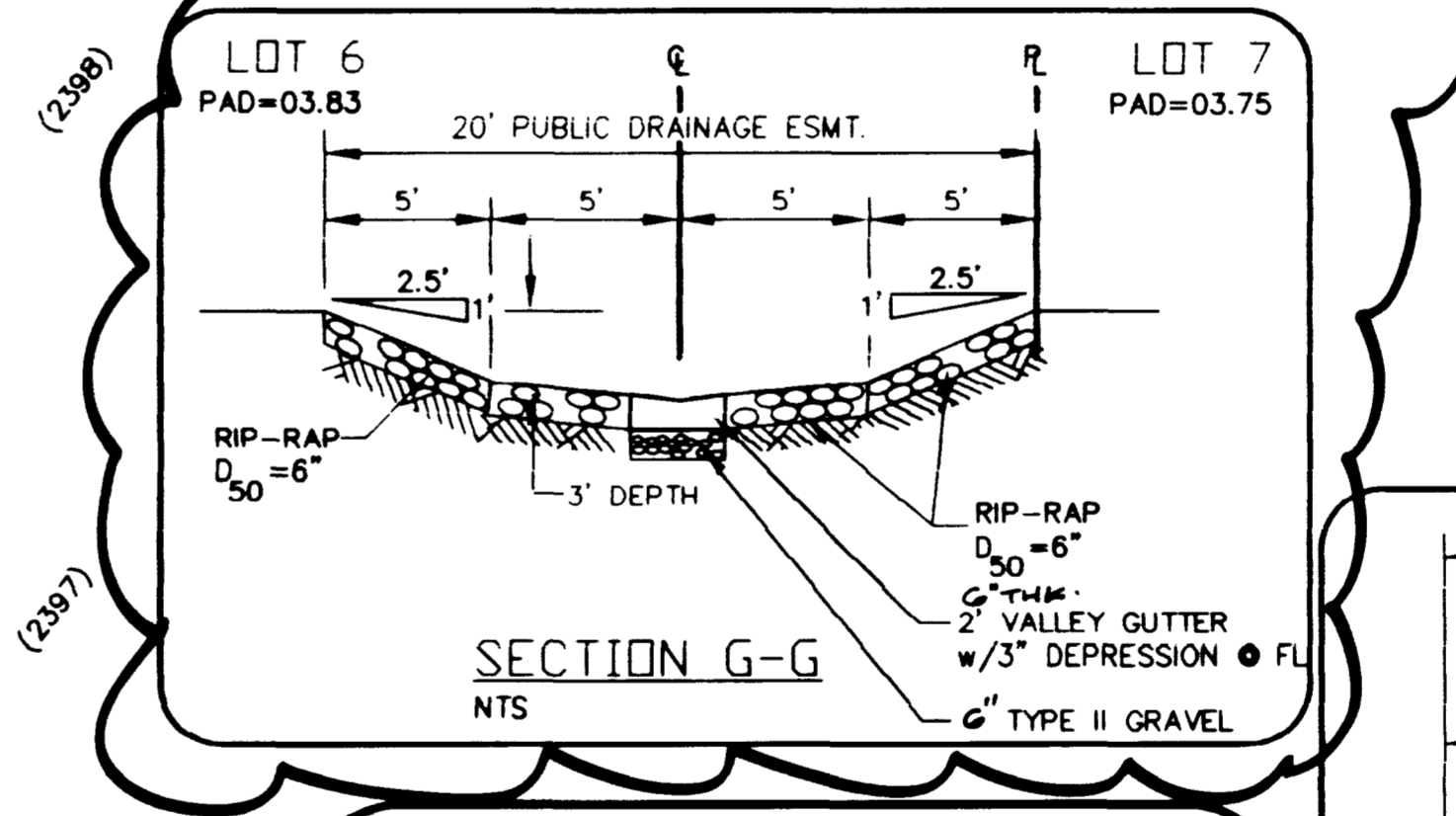
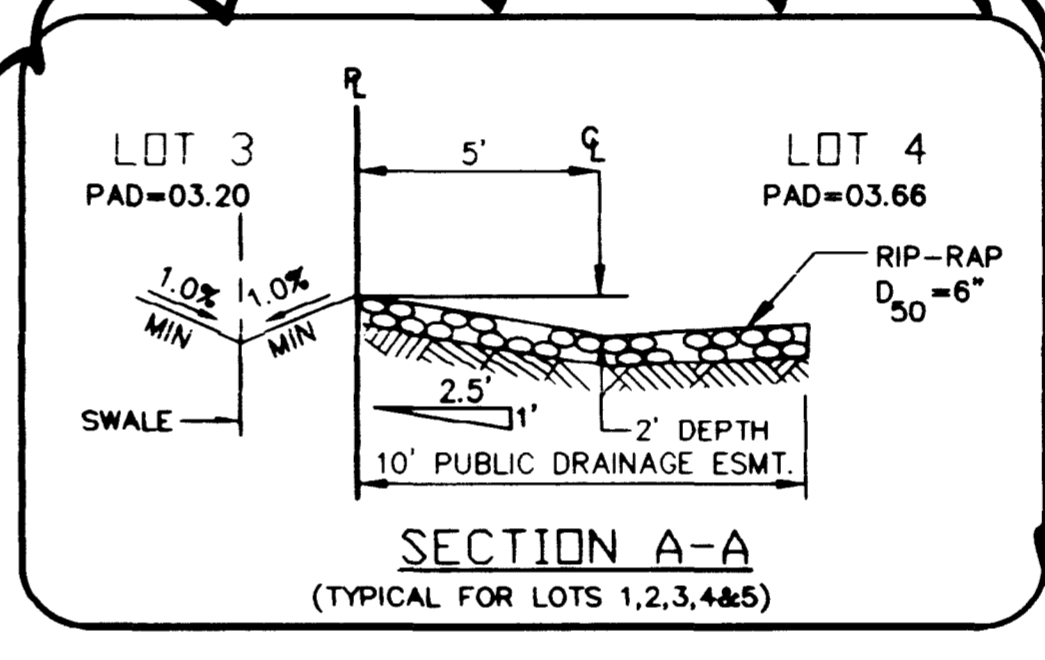
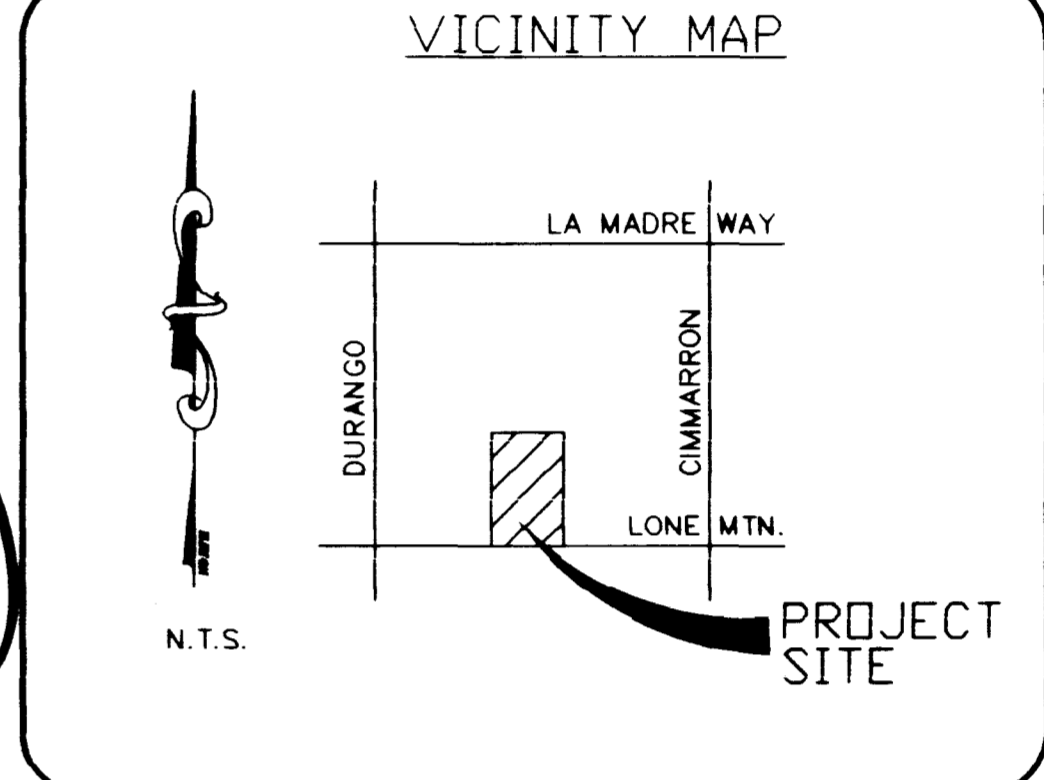
BASIS OF BEARING
 NORTH 01°17'55" EAST, BEING THE BEARING OF THE WEST LINE OF THE SOUTHWEST QUARTER (SW 1/4) OF THE SOUTHWEST QUARTER OF SECTION 33, TOWNSHIP 19 SOUTH, RANGE 60 EAST, M.D.M., CLARK COUNTY, NEVADA AS SHOWN RECORDED IN FILE 51, ON PAGE 34, OF PARCEL MAPS IN THE CLARK COUNTY RECORDER'S OFFICE.

- CONSTRUCTION NOTES**
1. CONSTRUCT 16"x48" BLOCKWALL OPENING.
 2. CONSTRUCT "L" TYPE CURB & GUTTER PER DETAIL ON SHEET C7.
 3. CONSTRUCT SIDEWALK PER DETAIL ON SHEET C7.
 4. INSTALL ASPHALT CONCRETE & TYPE II AGGREGATE BASE MATERIAL PER CROSS-SECTION ON THIS SHEET.
 5. INSTALL HANDICAP ACCESS RAMP PER DETAIL SHEET C7.
 6. CONSTRUCT 8' CROSS RAMP PER C.C. STD. DWG. NO. 122
 7. SAWCUT, REMOVE & REPLACE A.C. P.V.M.T. TO MATCH EXISTING P.V.M.T. AT \bar{C}
 8. INSTALL 65 LF OF 18" RCP @ 0.5% SLOPE

FOR SOILS REPORT REFER TO GEOTECHNICAL REPORT BY: AGRA EARTH AND ENVIRONMENTAL, DATED 2/27/97, JOB NO. 7-429-000001.

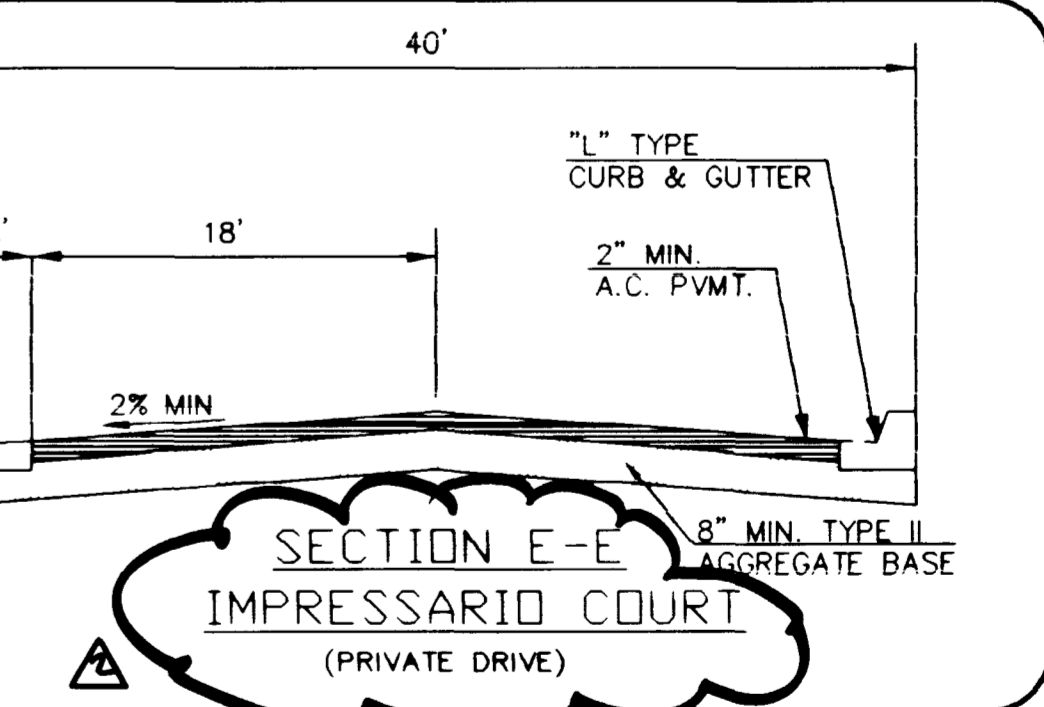
EARTHWORK QUANTITIES
 CUT VOLUME : 1,682 C.Y.
 FILL VOLUME : 1,198 C.Y.
 TOTAL : 484 C.Y. CUT

I CERTIFY THAT THE GRADING PLAN CONFORMS TO THE CITY OF LAS VEGAS DRAINAGE STUDY REQUIREMENTS FOR THIS PROJECT.
 DAVID D. WILSON, P.E. DATE 2/25/97

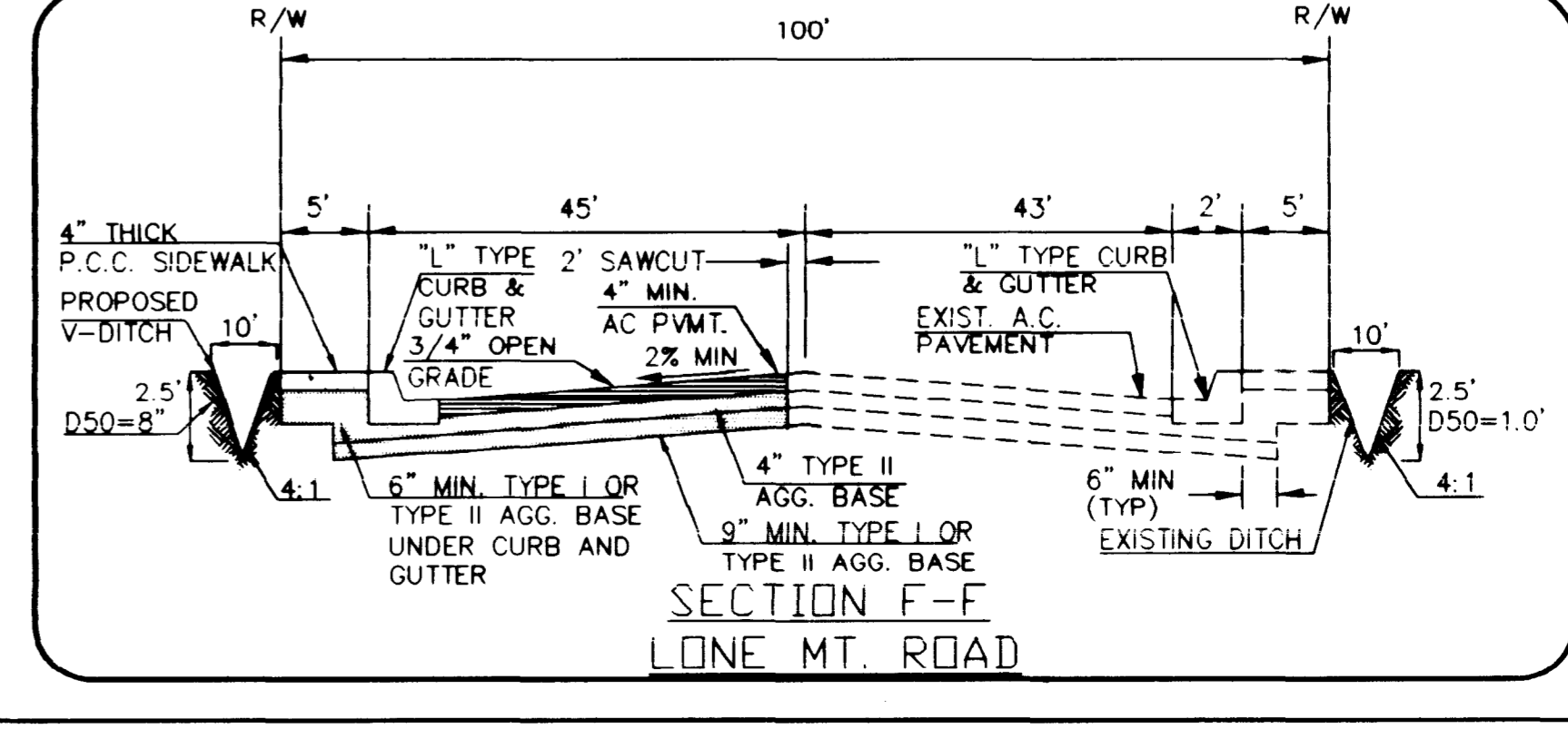


LEGEND

EXISTING	PROPOSED	DESCRIPTION
(0.00) FL	FL	FLOW LINE ELEVATION
F.F.=(0.00)	F.F.=0.00	FINISH FLOOR ELEVATION
(0.00) FG	FG	FINISH GRADE ELEVATION
(0.00) TC	TC	TOP OF CURB ELEVATION
(50)	50	CONTOUR LINE
(1.0% MIN.)	1.0% MIN.	DIRECTION OF FLOW WITH SLOPE AMOUNT
---	---	CROWN LINE



Call before you Overhead
 1-702-593-6111
 Call before you Dig
 1-800-227-2600



APPROVED

REVISIONS:

NO.	DATE	DESCRIPTION
1	1/28/97	ADDITIONAL PUBLIC DRAINAGE DETAILS
2	1/28/97	REVISIONS PER CC PLANNING
3	1/28/97	REVISIONS PER CC PLANNING
4	1/28/97	REVISIONS PER CC PLANNING
5	1/28/97	REVISIONS PER CC PLANNING
6	1/28/97	REVISIONS PER CC PLANNING
7	1/28/97	REVISIONS PER CC PLANNING
8	1/28/97	REVISIONS PER CC PLANNING
9	1/28/97	REVISIONS PER CC PLANNING
10	1/28/97	REVISIONS PER CC PLANNING
11	1/28/97	REVISIONS PER CC PLANNING
12	1/28/97	REVISIONS PER CC PLANNING
13	1/28/97	REVISIONS PER CC PLANNING
14	1/28/97	REVISIONS PER CC PLANNING
15	1/28/97	REVISIONS PER CC PLANNING
16	1/28/97	REVISIONS PER CC PLANNING
17	1/28/97	REVISIONS PER CC PLANNING
18	1/28/97	REVISIONS PER CC PLANNING
19	1/28/97	REVISIONS PER CC PLANNING
20	1/28/97	REVISIONS PER CC PLANNING

SCALE: 1"=40'

ACT. NO. 50-22782

DESIGNER: DAVID D. WILSON, P.E.

DRAWN BY: [Signature]

CHECKED BY: [Signature]

DATE: 1/28/97

GRADING PLAN FOR DOMINION ESTATES

CRS CONSULTING ENGINEERS OF NEVADA, INC. 4290 S. MARLAND PARKWAY LAS VEGAS, NV 89149 PHONE (702) 337-3407 FAX (702) 337-3394

DAVID D. WILSON CIVIL ENGINEER No. 8141 576.97

SHEET C5 OF 9 DRWG. NO. 2782

107Y-4530

