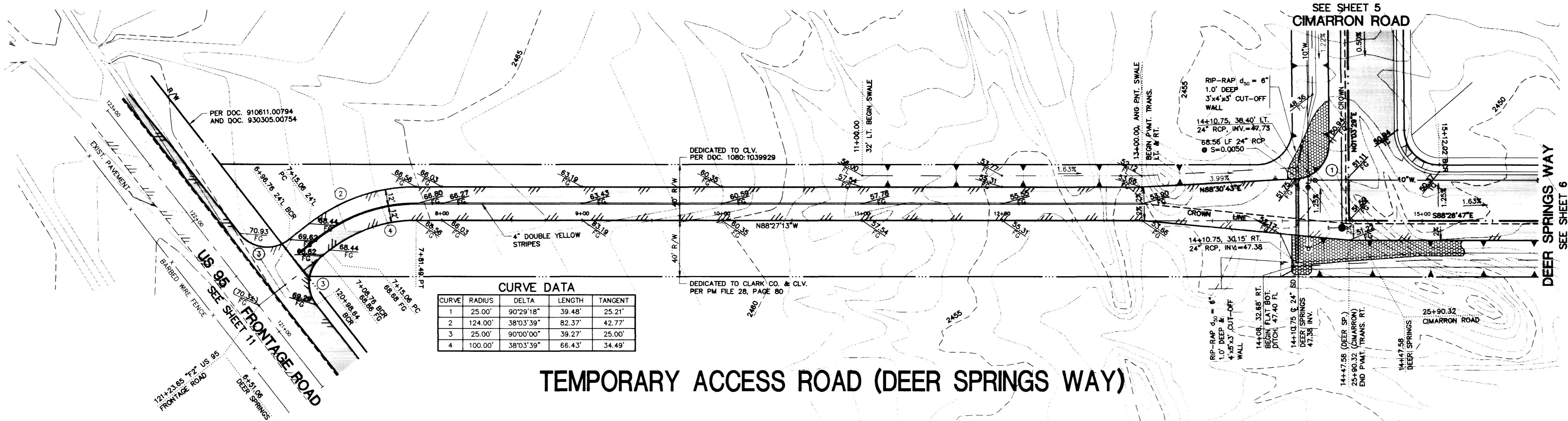
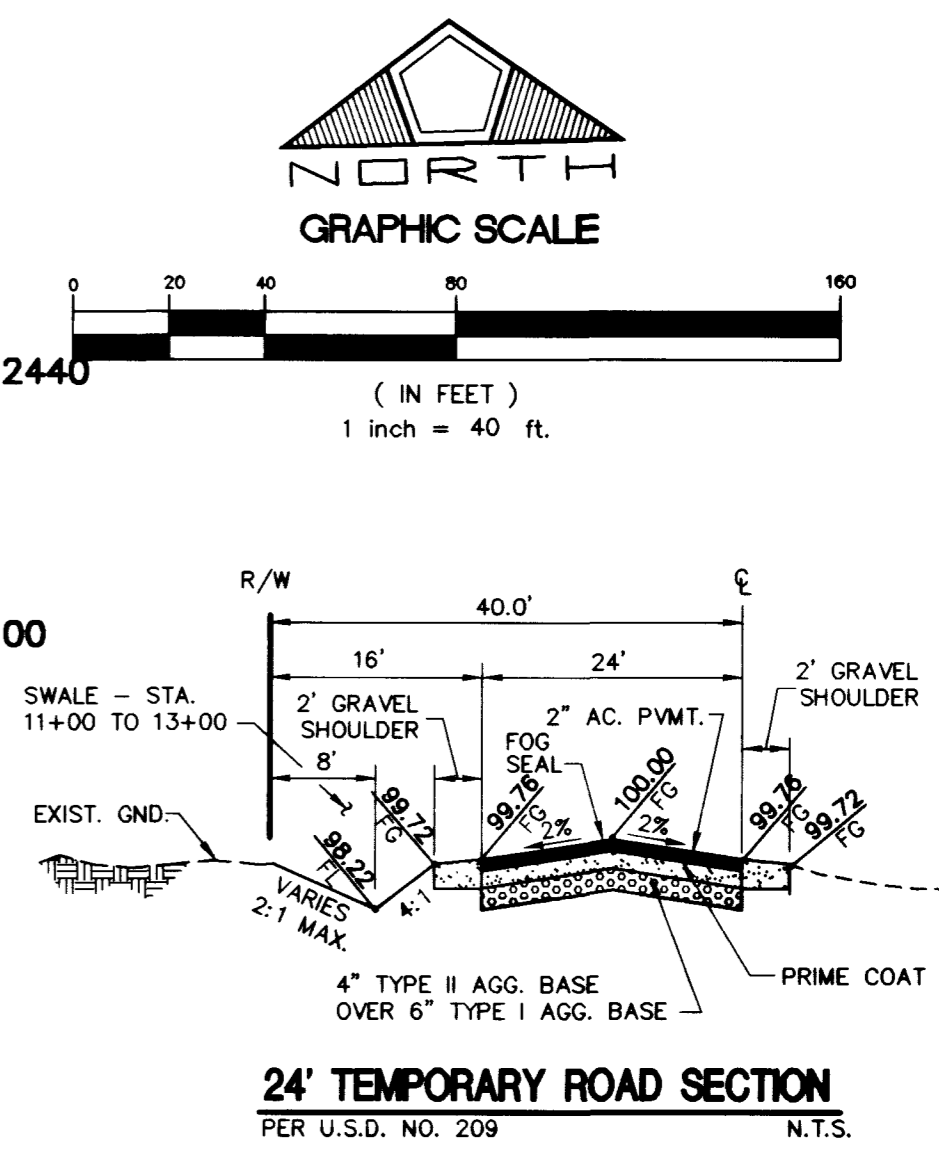


TEMPORARY ACCESS ROAD (DEER SPRINGS WAY)

PROFILE
 SCALE: HORIZ. 1" = 40'
 VERT. 1" = 4'



TEMPORARY ACCESS ROAD (DEER SPRINGS WAY)

NO.	DESCRIPTION	DATE	APP'D

DATE: 9/21/97
 DRAWN BY: [Signature]
 CHECKED BY: [Signature]
 JOB NO.: 01410006
 SCALE: 1" = 40'

PENTACORE
 CIVIL ENGINEERING - LAND SURVEYING - PLANNING
 CONSULTING - ARCHITECTURE - INTERIOR DESIGN
 875 WEST CHARLESTON BOULEVARD
 LAS VEGAS, NEVADA 89102 (702)258-0115

EXECUTIVE DEVELOPMENT CORPORATION
 ELKHORN - CIMARRON ESTATES UNIT 4A
 STREET PLAN - PROFILE
 TEMP. ACCESS RD. (DEER SPRINGS WAY)

SHEET
10
 OF 13

G:\0141\0006\UNIT4A\PP\ACCESS Thu Sep 4 13:22:41 1997 J. HIRSHQUER

ACCESS.DWG DISK # 01410006\UNIT4A\PP\

107Y-4478-4A

