

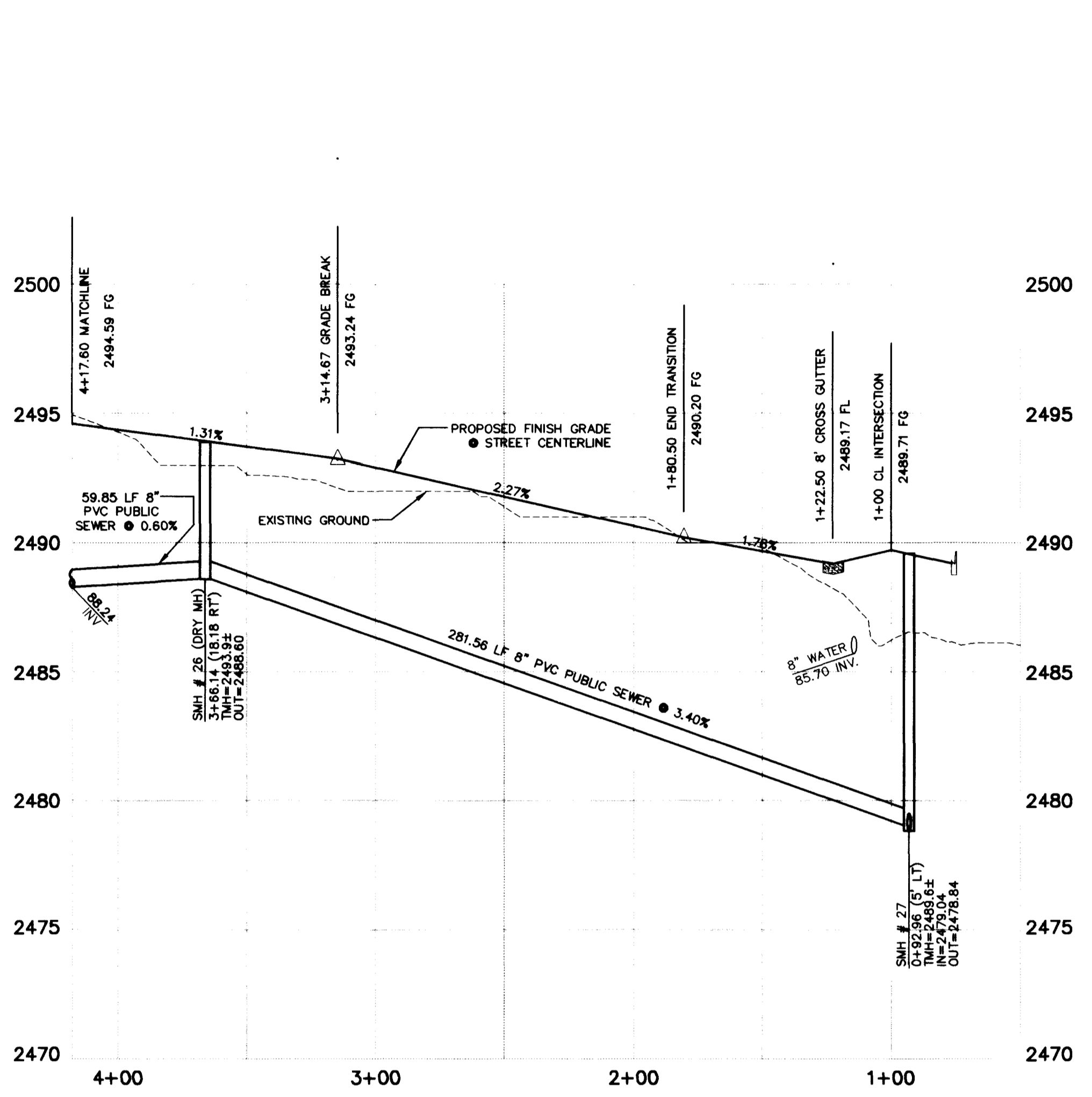
NO.	DESCRIPTION	DATE	APP'D

RECOMMENDED BY: *[Signature]*  
 DATE: 4/17/97  
 DESIGNED BY: *[Signature]*  
 CHECKED BY: *[Signature]*  
 JOB NO.: 0141.0006  
 SCALE: 1"=40'

DATE: 4/17/97  
 DRAWN BY: *[Signature]*  
 CHECKED BY: *[Signature]*  
 JOB NO.: 0141.0006  
 SCALE: 1"=40'

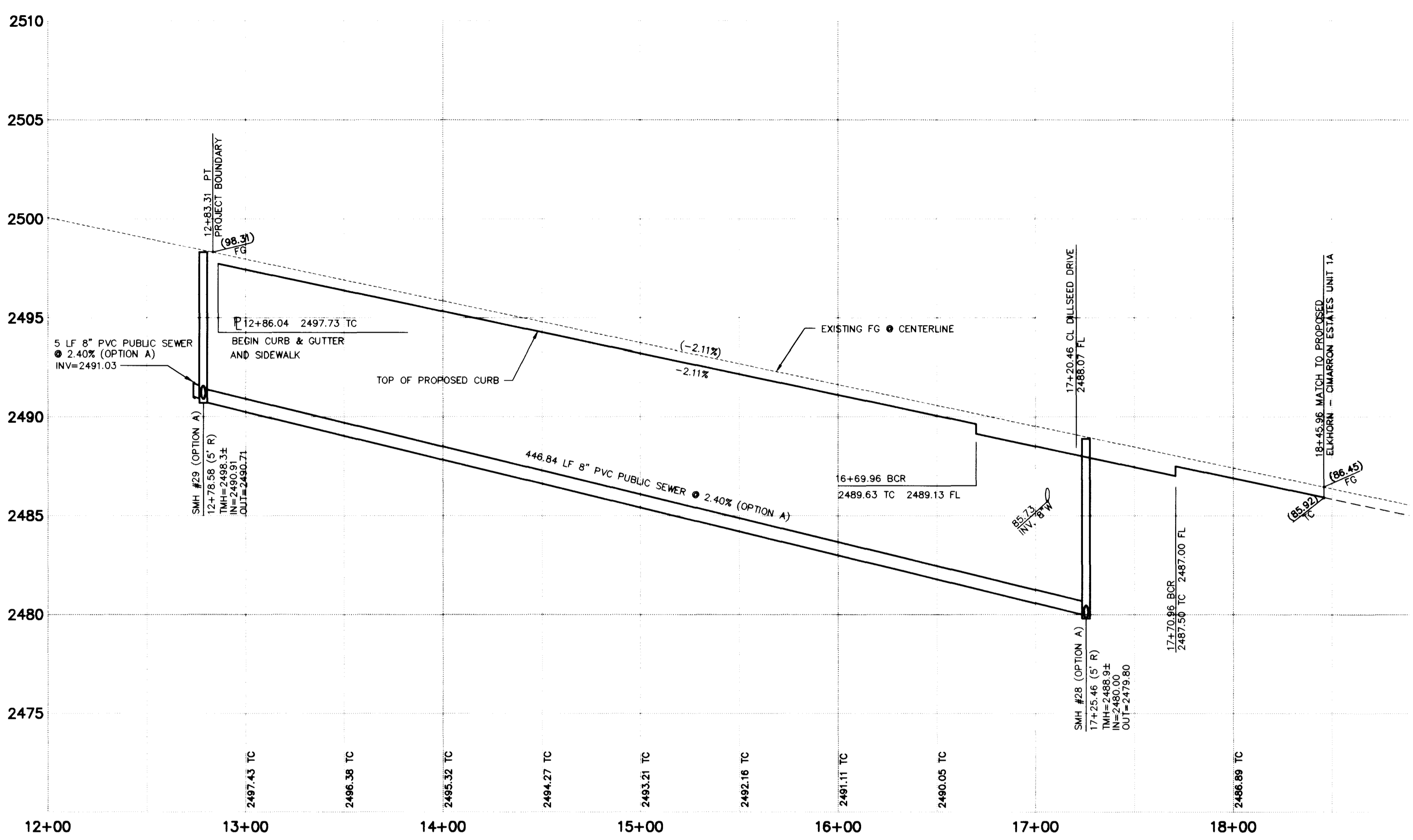
**PENTACORE**  
 CIVIL ENGINEERING • LAND SURVEYING • PLANNING  
 CONSULTING  
 6753 WEST CHARLESTON BOULEVARD  
 LAS VEGAS, NEVADA 89102 (702)258-0115

EXECUTIVE DEVELOPMENT CORPORATION  
 ELKHORN - CIMARRON ESTATES UNIT 2A  
 STREET PLAN - PROFILE  
 ELKHORN ROAD & LANCELEAF AVENUE



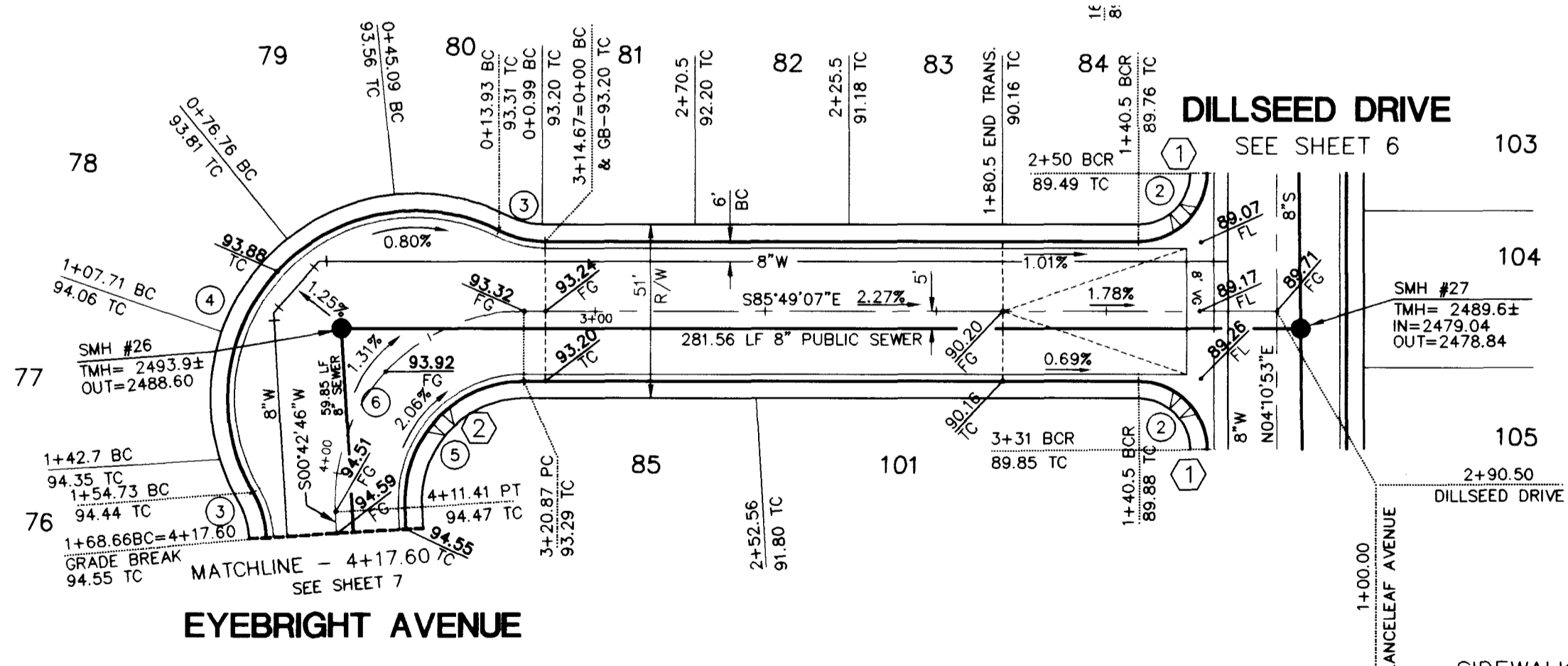
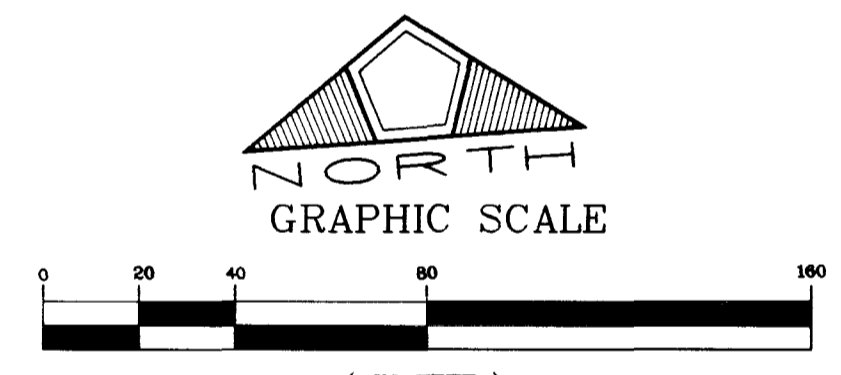
**LANCELEAF AVENUE (PUBLIC)**

**PROFILE**  
 SCALE: HORIZ. 1" = 40'  
 VERT. 1" = 4'

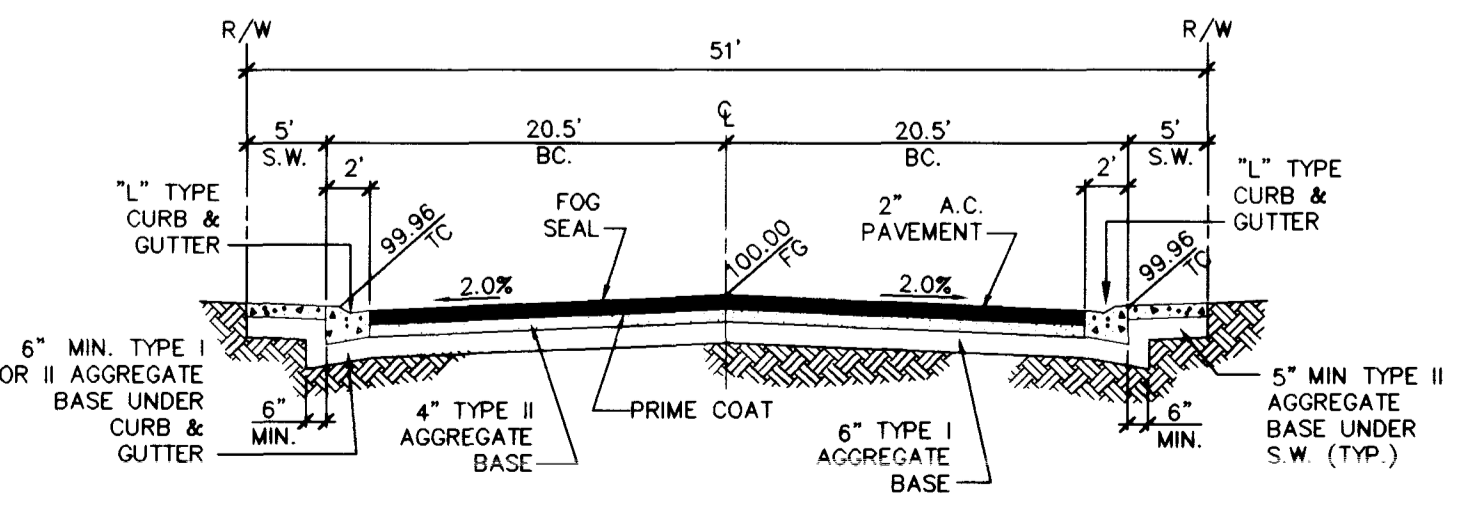


**ELKHORN ROAD (PUBLIC)**

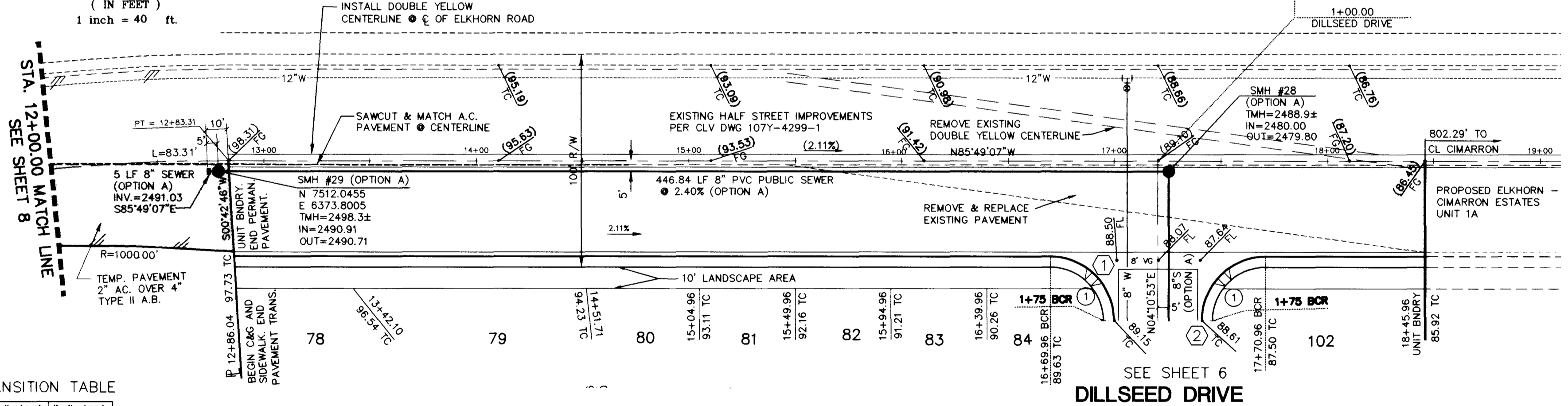
**PROFILE**  
 SCALE: HORIZ. 1" = 40'  
 VERT. 1" = 4'



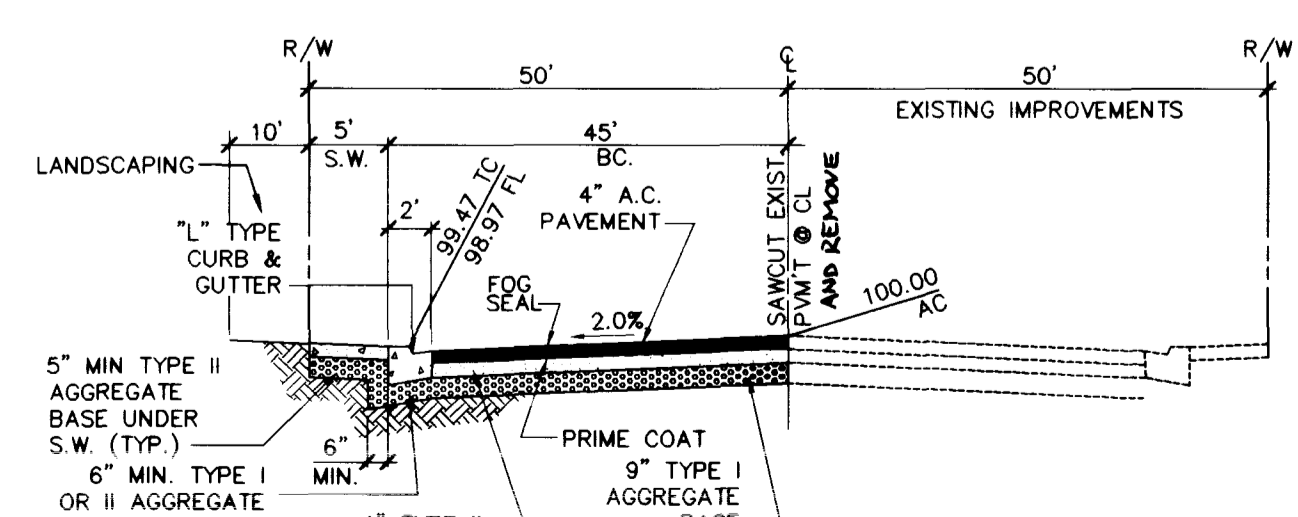
**LANCELEAF AVENUE (PUBLIC)**



**TYPICAL STREET SECTION**  
 NO SCALE  
 U.S.D. STD. DWG. NO. 207



**ELKHORN ROAD (PUBLIC)**



**100' STREET SECTION**  
 NO SCALE  
 U.S.D. STD. DWG 203

**SIDEWALK RAMP TRANSITION TABLE**

RAMP NO.	GRADE (%)	"A" (FT) MIN.	"B" (FT) MIN.
1	-2 TO 2	8.0	8.0
2	-3 TO -2.01	4.5	9.5

**BACK OF CURB CURVE DATA**

CURVE	DELTA	RADIUS	LENGTH	TANGENT
1	90°00'00"	30.00'	47.12'	30.00'
2	90°00'00"	20.00'	31.42'	20.00'
3	26°36'17"	30.00'	13.93'	7.09'
4	146°40'41"	55.00'	140.80'	183.78'
5	93°28'08"	35.00'	57.10'	37.19'

**CENTERLINE CURVE DATA**

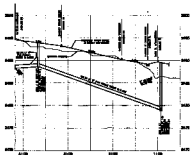
CURVE	DELTA	RADIUS	LENGTH	TANGENT
6	93°28'08"	55.50'	90.54'	58.97'

**BENCHMARK**  
 QLV BM #1 LV90 21 N6  
 3" BRASS CAP USC & GS BM #113, 3/4 MILE N OF 1 LV9028NNE6,  
 50' E OF OLD RAILROAD BED.  
 ELEV = 748.2584 (METERS) 2454.91' (NAV088)

B. 10141.0006.UNIT2A.PVP.ELKHORN Mon May 19 14:33:58 1997 J. HIRSHQUER

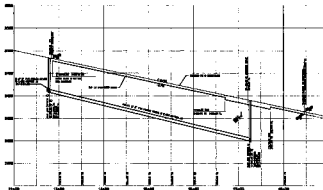
ELKHORN.DWG DSK # 0141.0006.UNIT2A.PVP

1078



LANCELEAF AVENUE (PUBLIC)

PROFILE  
 ROAD USE 7-7'



ELKHORN ROAD (PUBLIC)

PROFILE  
 ROAD USE 7-7'



LANCELEAF AVENUE (PUBLIC)



ELKHORN ROAD (PUBLIC)

VERTICAL CURVE DATA

PC	1+00.00	1+00.00
PVI	1+00.00	1+00.00
PT	1+00.00	1+00.00
GRADE	1.00%	1.00%
VERT. CURVE	1+00.00	1+00.00

VERTICAL CURVE DATA

PC	1+00.00	1+00.00
PVI	1+00.00	1+00.00
PT	1+00.00	1+00.00
GRADE	1.00%	1.00%
VERT. CURVE	1+00.00	1+00.00



PENTACORE  
 ENGINEERING CONSULTANTS  
 10000 SANDHURST AVENUE SUITE 100  
 SANDHURST, CALIFORNIA 94568  
 (925) 435-1000  
 WWW.PENTACORE.COM

ENGINEERING CONSULTANTS  
 SANDHURST - SANDHURST STUDIO UNIT 1A  
 10000 SANDHURST AVENUE SUITE 100  
 SANDHURST, CALIFORNIA 94568

5  
 S.E.

7/11-2012 EA