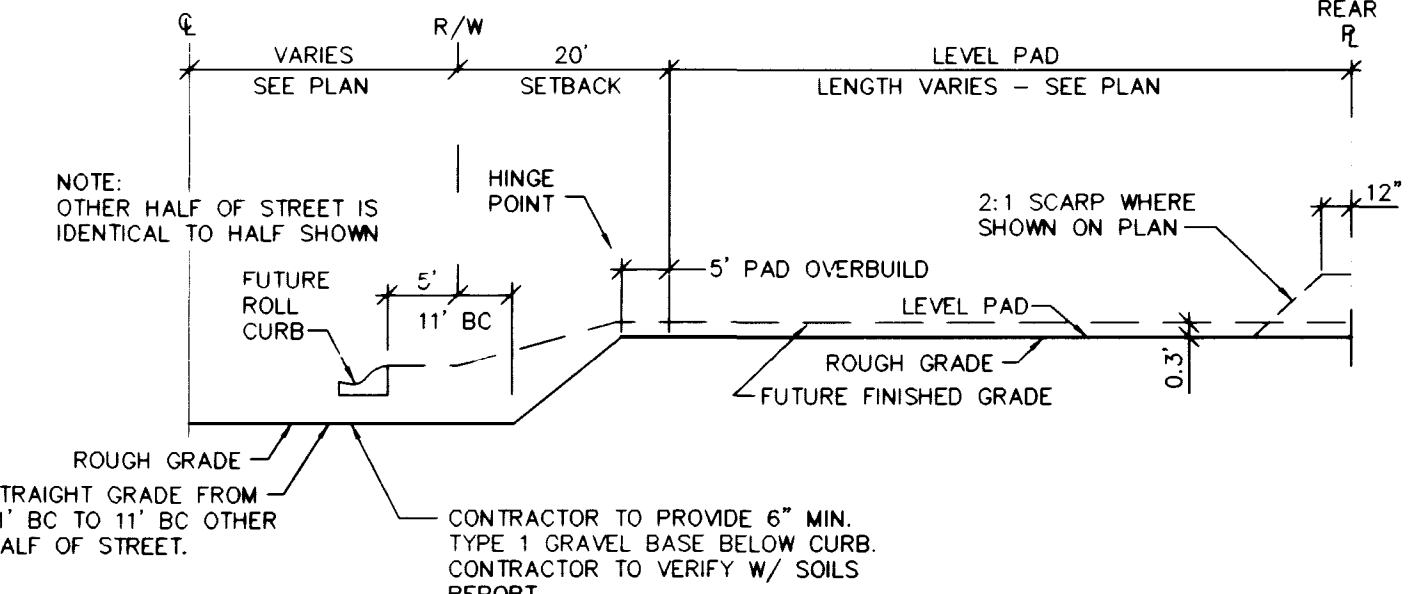
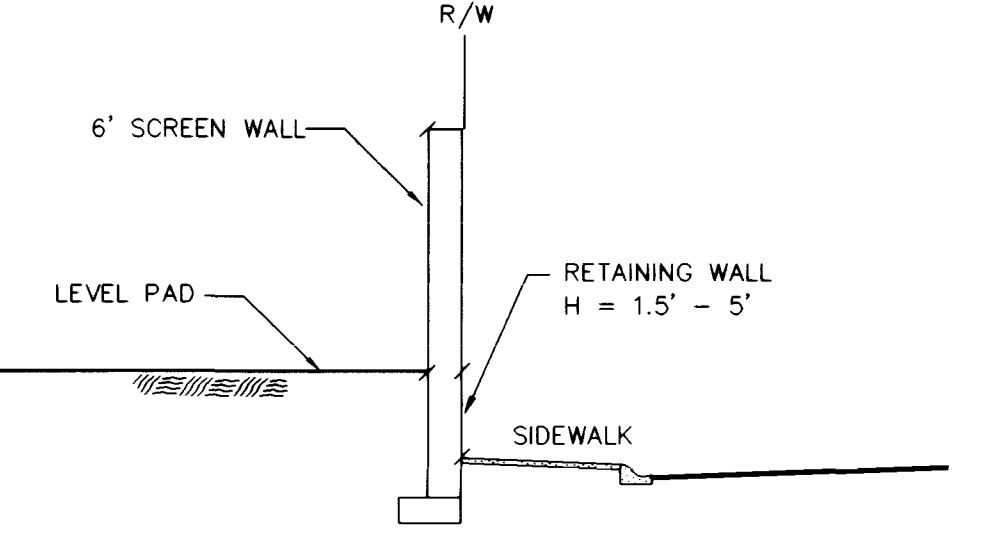


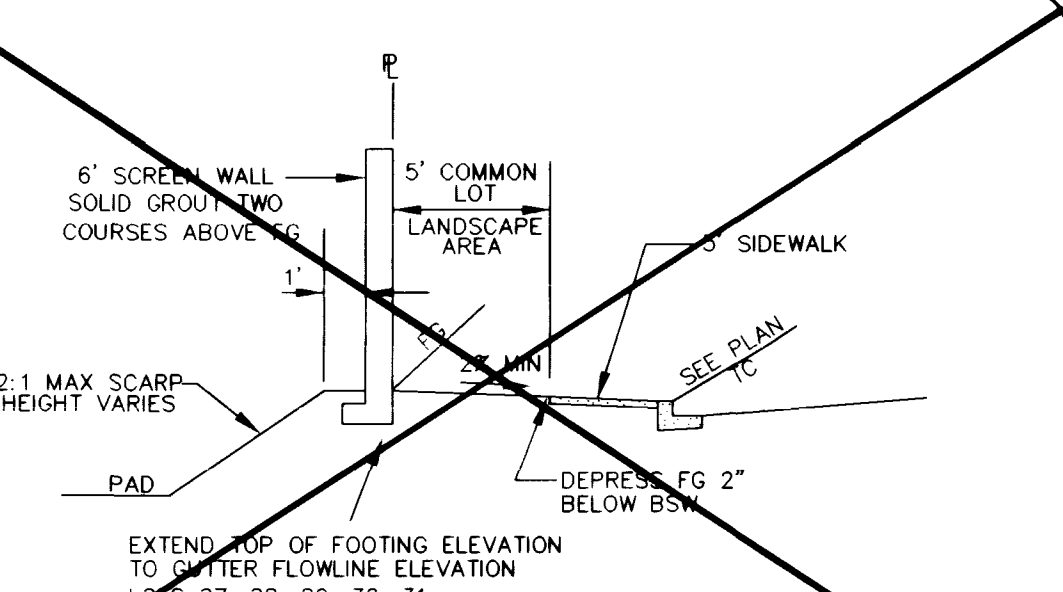
SIDE YARD SECTION N.T.S. **A**
4



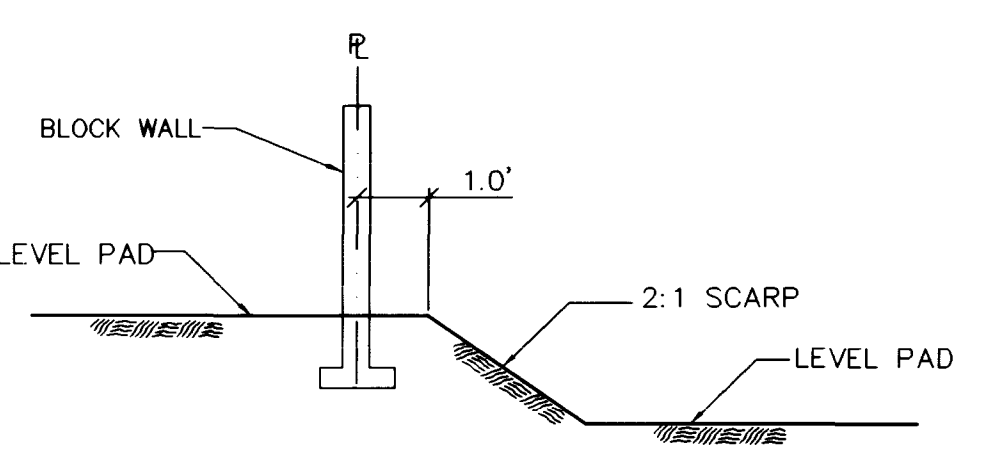
ROUGH GRADE SECTION N.T.S. **F**
4



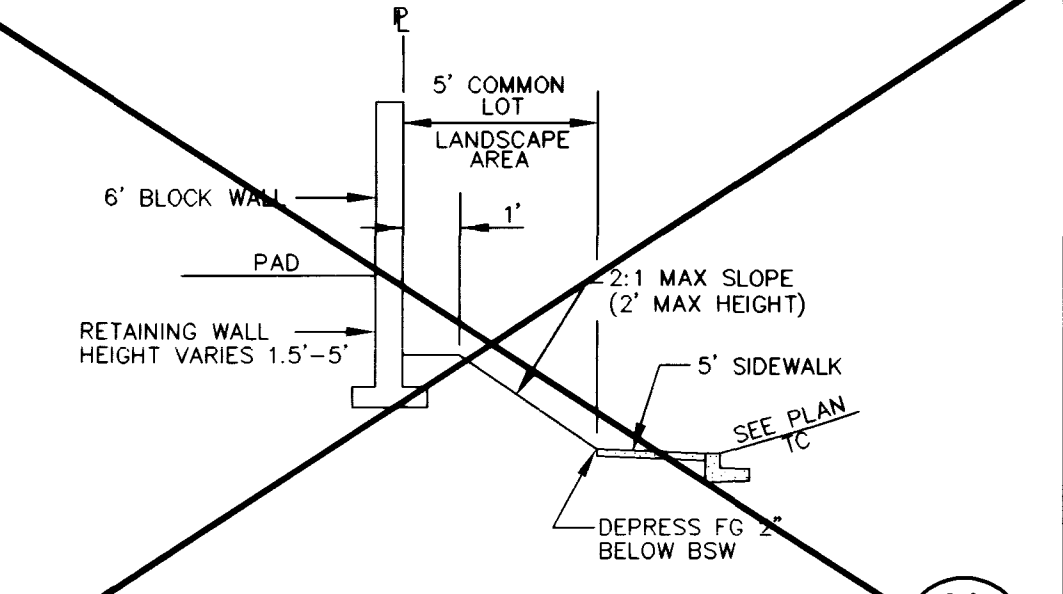
SIDE YARD - CORNER LOT SECTION N.T.S. **B**
4



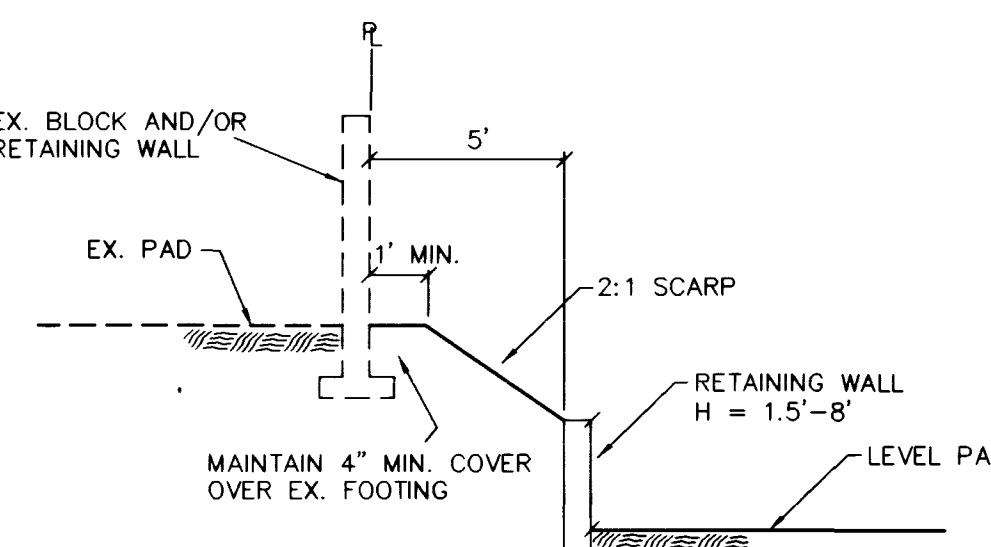
CROSS SECTION - COMMON LOT N.T.S. **G**
4



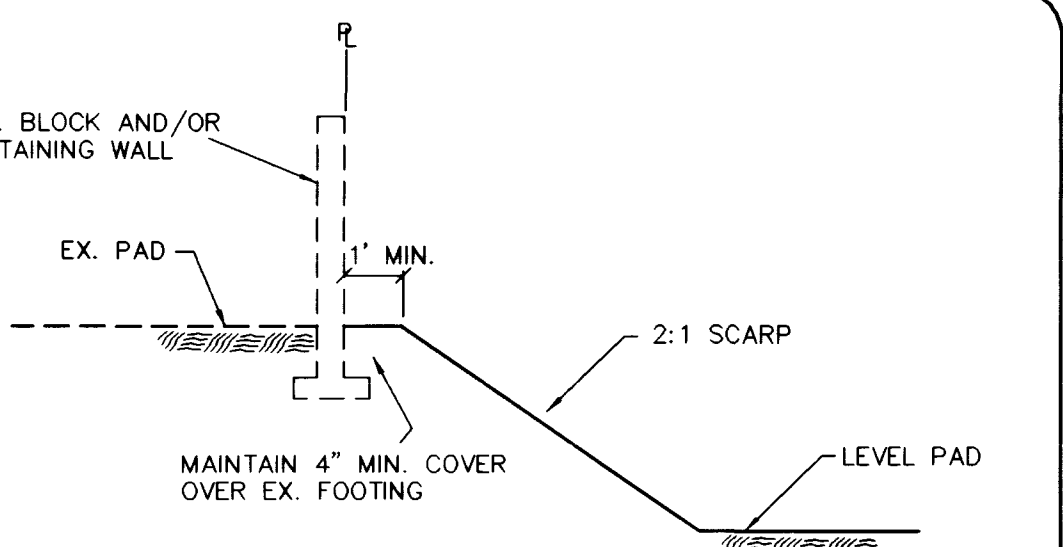
REAR YARD SECTION N.T.S. **C**
4



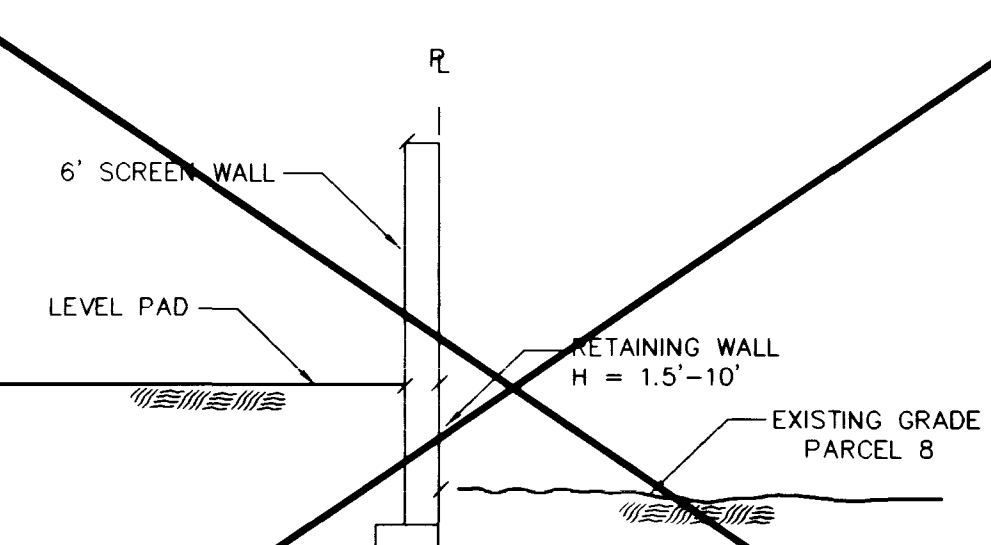
CROSS SECTION - COMMON LOT N.T.S. **H**
4



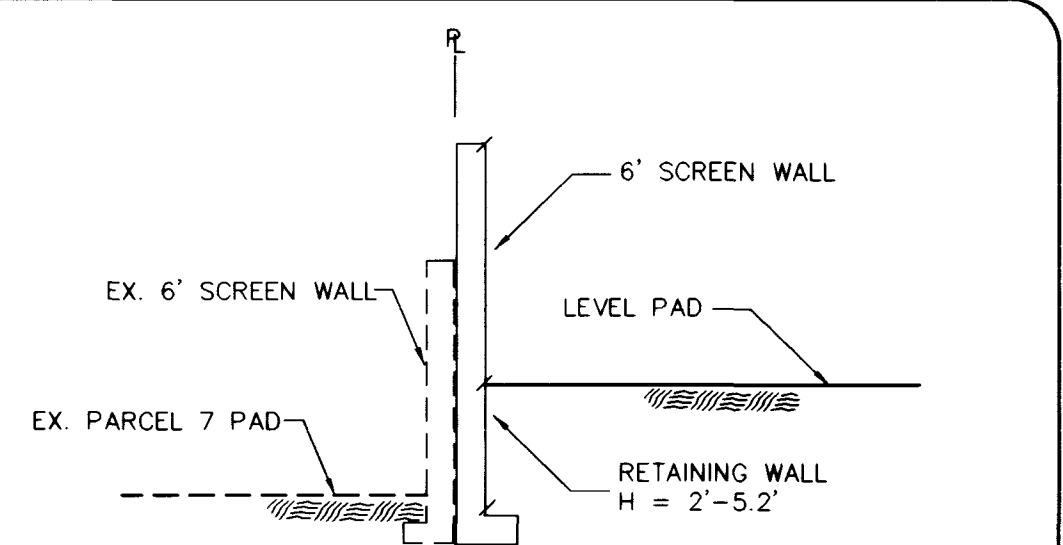
PERIMETER RETAINING WALL SECTION N.T.S. **D**
4



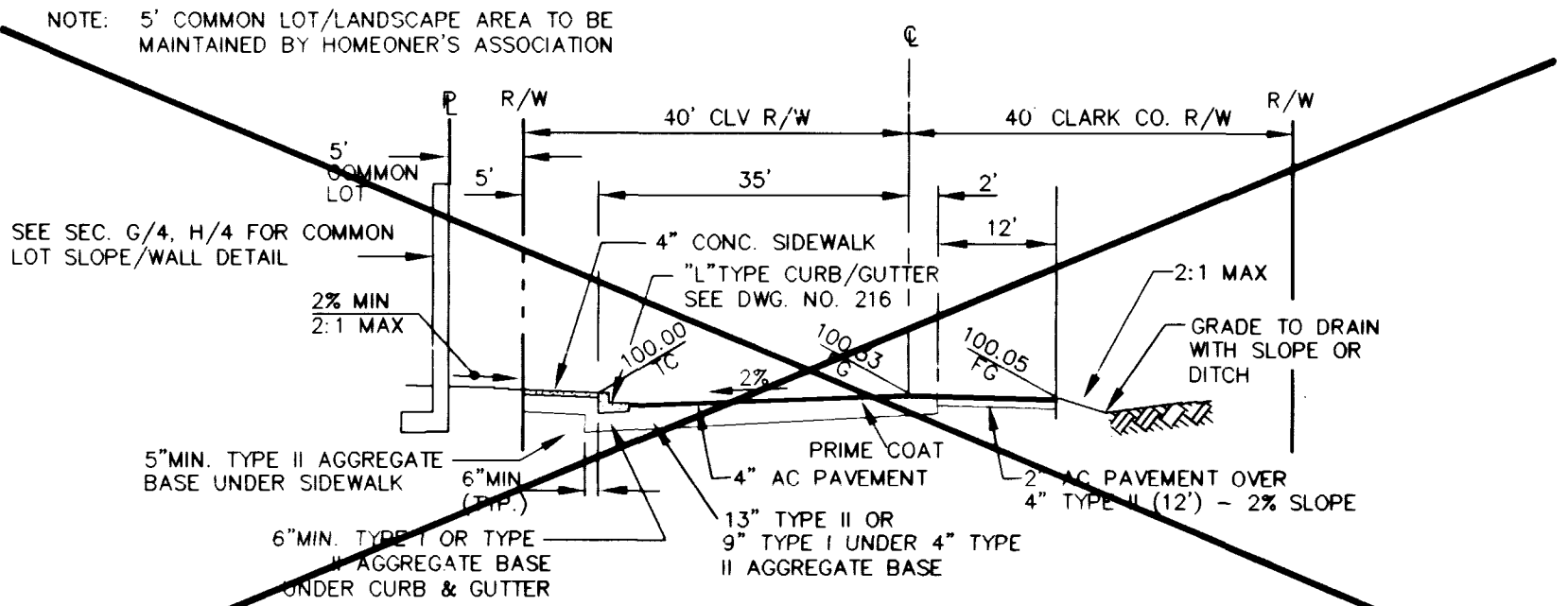
REAR YARD SECTION N.T.S. **J**
4



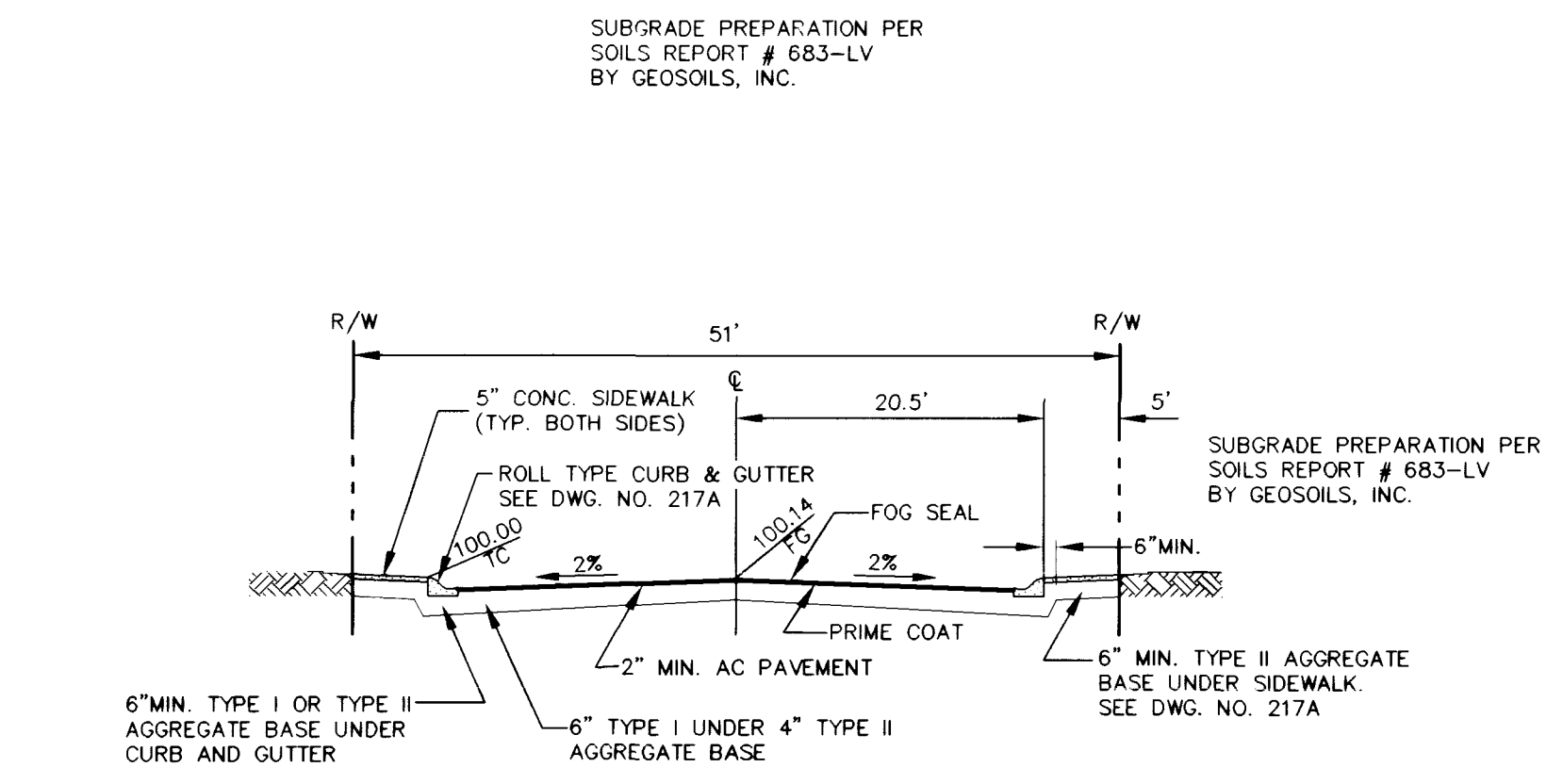
PERIMETER RETAINING WALL SECTION N.T.S. **E**
4



PARCEL 2/7 BOUNDARY SECTION N.T.S. **K**
4

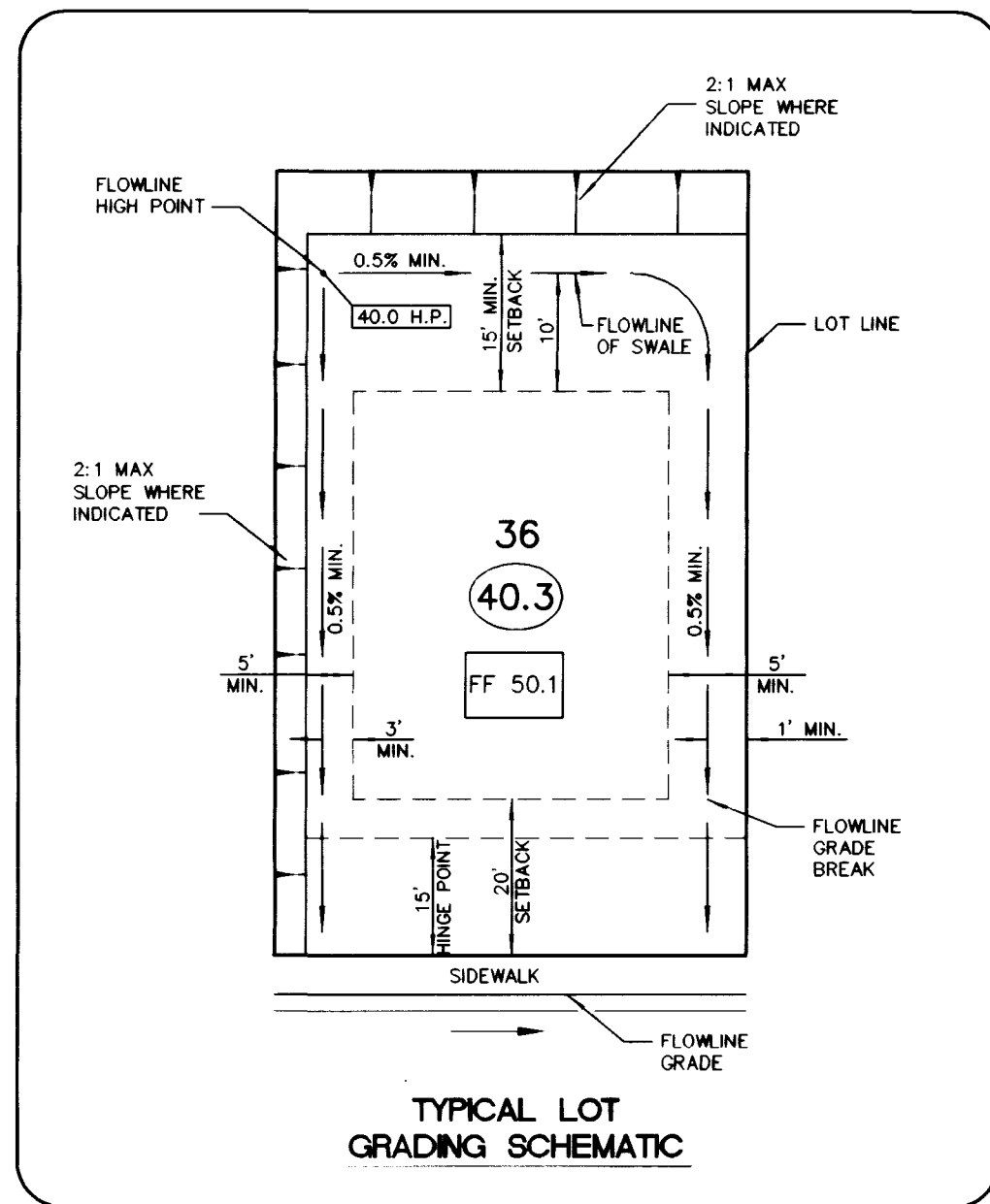


TYP. HALF STREET CROSS-SECTION FARM ROAD NO SCALE STD. DWG. No. 205 & 208



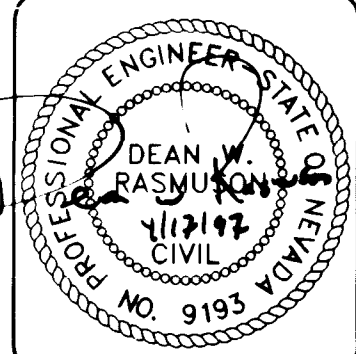
TYP. STREET CROSS-SECTION (51' R/W) NO SCALE STD. DWG. No. 207

TUMBLING STREET
GUAVA NECTAR AVENUE
APPLE CIDER STREET
DUSTY LAKE STREET
BACKPACKER COURT
SHADY GLEN AVENUE



Avoid overhead power line contact.
Call before you Overhead
1-702-593-6111
NEVADA POWER ENVIRONMENT AND SAFETY SERVICES DEPARTMENT

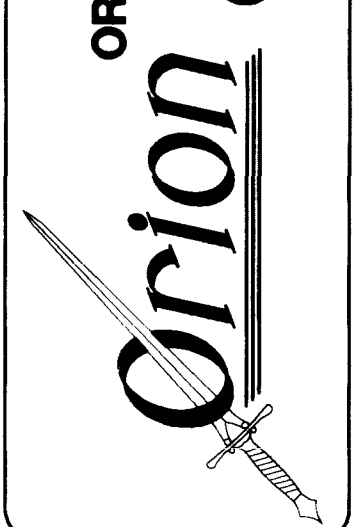
Avoid cutting underground utility lines. It's costly.
Call before you Dig.
1-800-227-2600
UNDERGROUND SERVICE ALERT (USA)



DESIGNED BY: DRJ	DRAWN BY: DRJ	DATE: 10/96
CHECKED BY: MS	JOB NUMBER: 001.700X	BY: DATE
NO.	REVISION	

NEVADA
WATT HOMES - NEVADA DIVISION
ELKHORN SPRINGS - PARCEL 2
UNIT 2 - DETAILS
CITY OF LAS VEGAS

ORION ENGINEERING AND SURVEYING, INC.
2700 CHANDLER AVENUE, SUITE B-1
LAS VEGAS, NEVADA 89120
(702) 739-5921 FAX (702) 739-5929



SHEET 4
of: 10

FILE NAME: 5185U103.DWG

4669

107Y-4299-2-2

