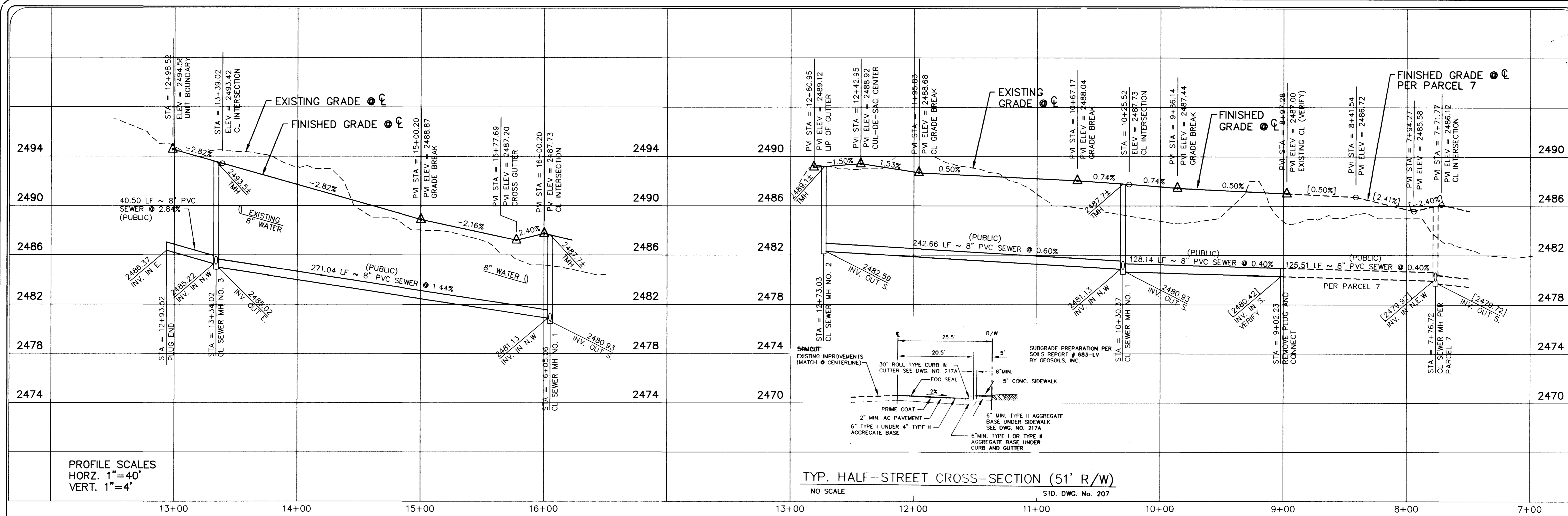


DESIGNED BY: DRJ	DATE: 10/96
CHECKED BY: MS	JOB NUMBER: 001.700X
NO.	REVISION
	BY
	DATE

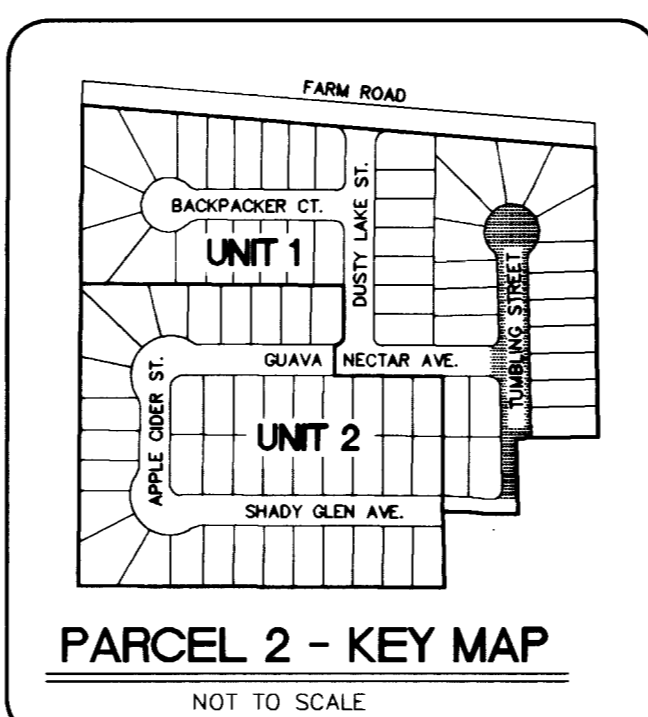
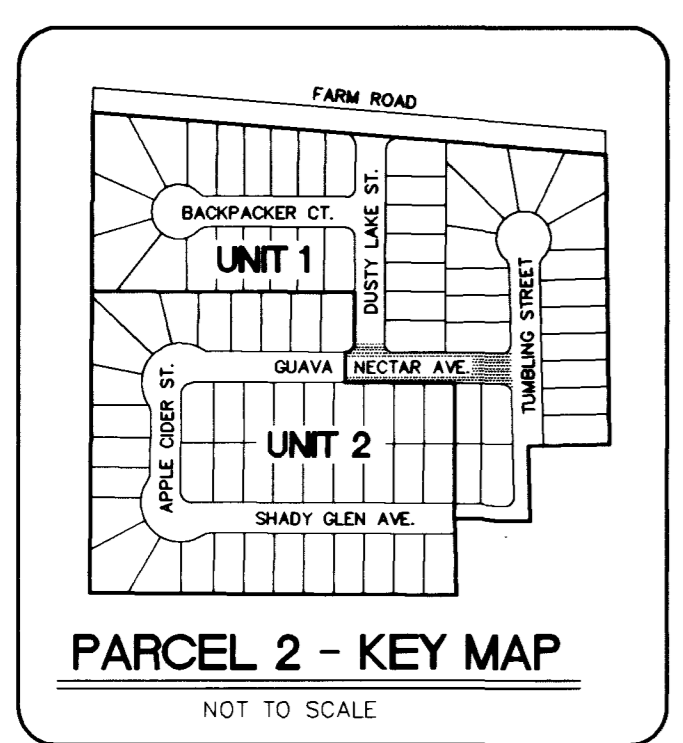
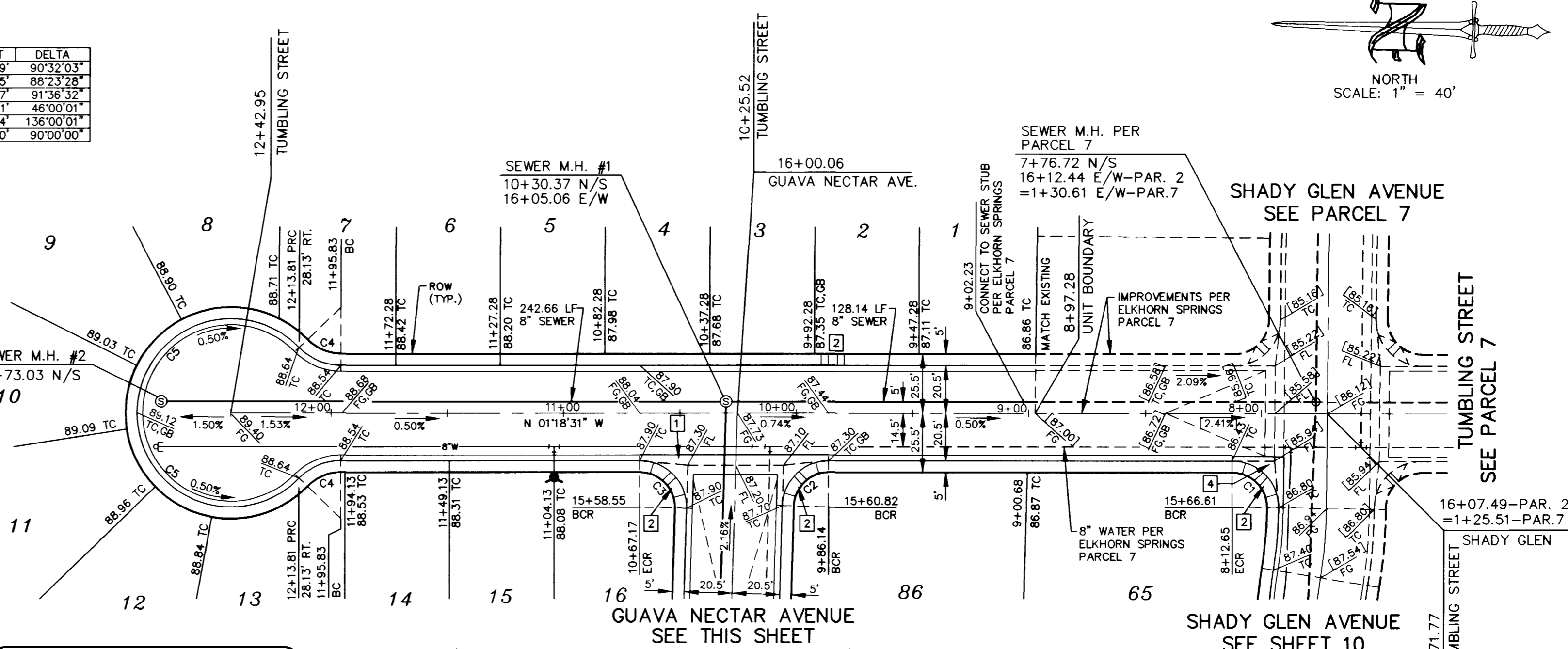
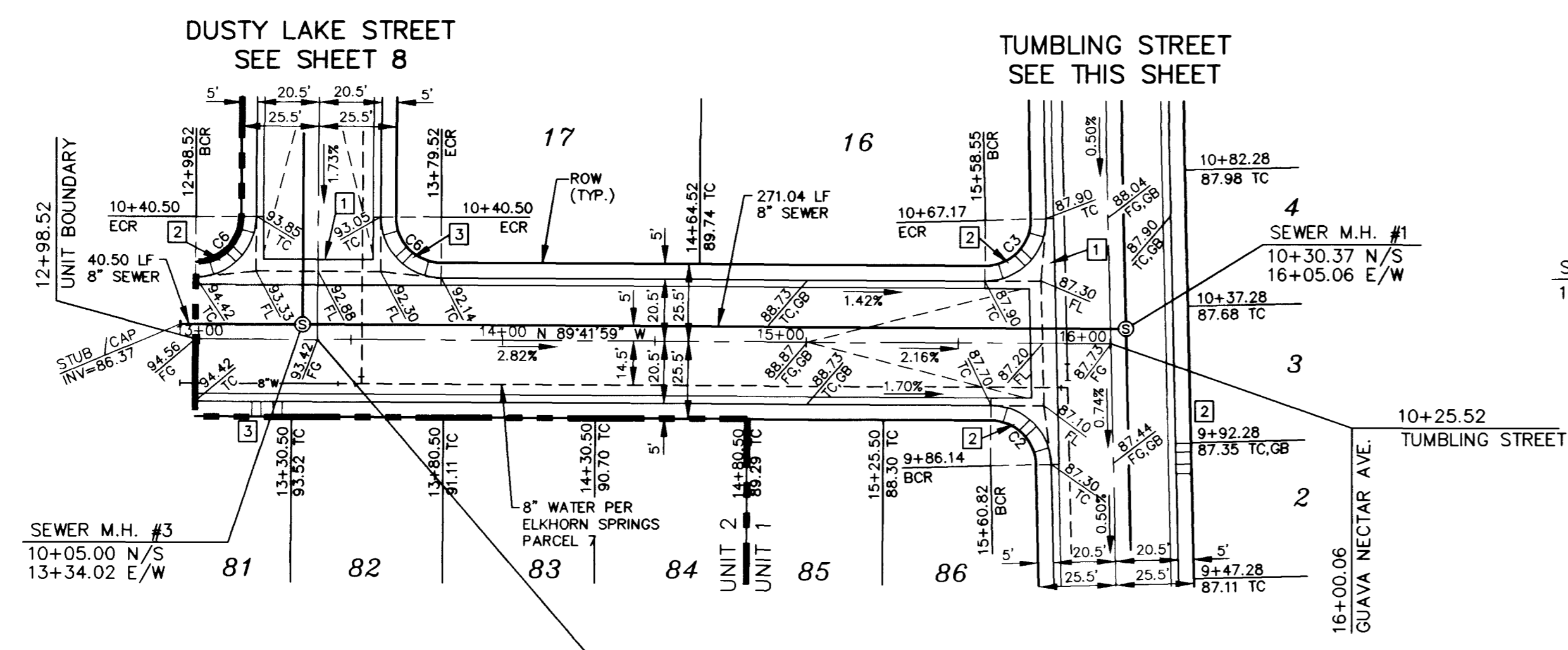
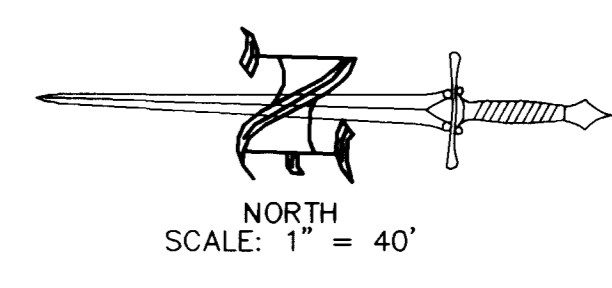
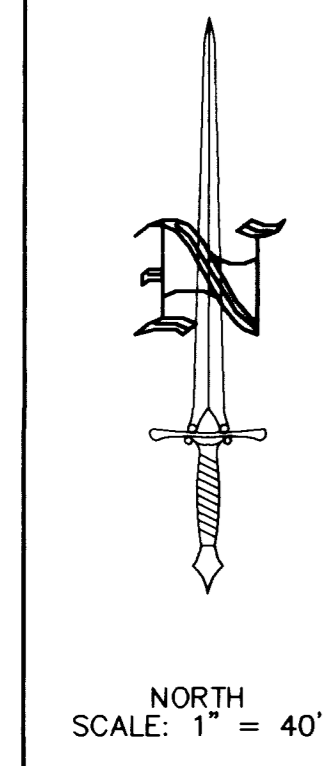
WATT HOMES - NEVADA DIVISION  
 ELKHORN SPRINGS - PARCEL 2  
 UNIT 1 - GUAVA NECTAR AVENUE &  
 TUMBLING STREET

ORION ENGINEERING AND SURVEYING, INC.  
 2700 CHANDLER AVENUE, SUITE B-1  
 LAS VEGAS, NEVADA 89120  
 (702) 739-5921 FAX (702) 739-5929



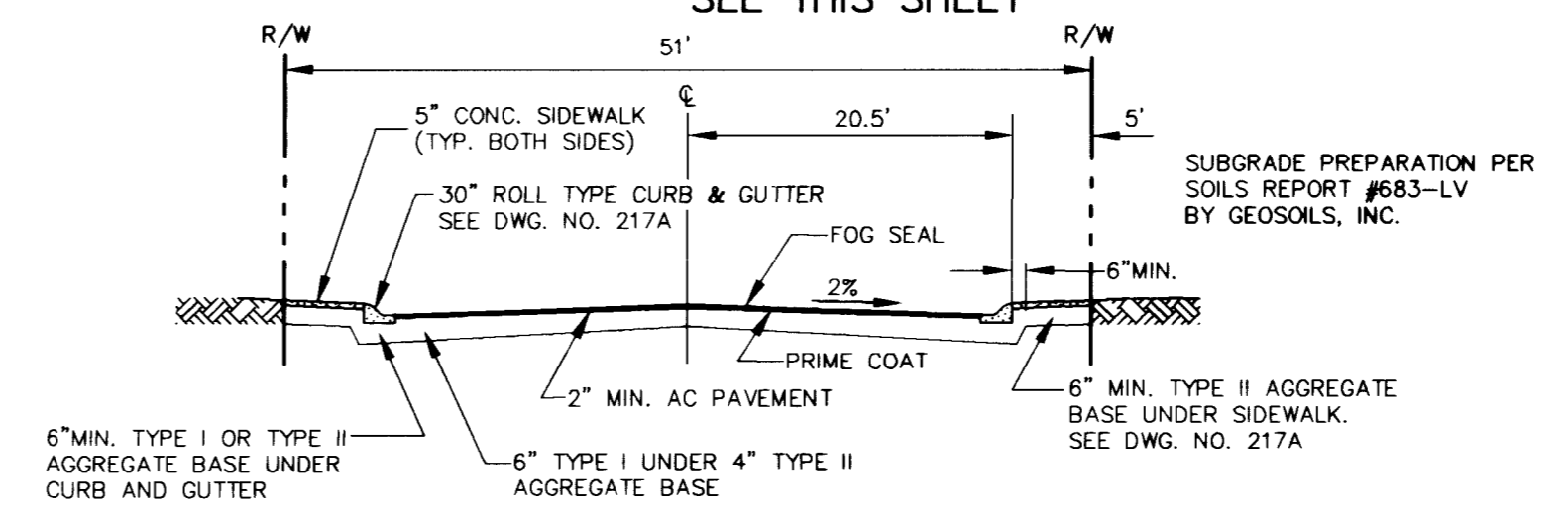
BACK OF CURB - CURVE TABLE

CURVE	RADIUS	LENGTH	TANGENT	DELTA
C1	20.00'	31.60'	20.19'	90°32'03"
C2	20.00'	30.85'	19.45'	88°23'28"
C3	20.00'	31.98'	20.57'	91°36'52"
C4	25.00'	20.07'	10.61'	48°00'01"
C5	40.50'	96.13'	100.24'	136°00'01"
C6	20.00'	31.42'	20.00'	90°00'00"



CONSTRUCTION NOTES

- INSTALL 8" WIDE PCC CROSS GUTTER PER STD. DWG. NO. 228.
- INSTALL CASE 1 SIDEWALK RAMP PER STD. DWG. NO. 235 A = 8', B = 6'
- INSTALL CASE 1 SIDEWALK RAMP PER STD. DWG. NO. 235 A = 9.5', B = 4.5'
- INSTALL SPANDREL TO MATCH EXISTING CROSS GUTTER



Avoid overhead power line contact.

Call before you Overhead  
 1-702-593-6111  
 NEVADA POWER ENVIRONMENT AND SAFETY SERVICES DEPARTMENT

Avoid cutting underground utility lines. It's costly.

Call before you Dig.  
 1-800-227-2600  
 UNDERGROUND SERVICE ALERT (USA)

GUAVA NECTAR AVENUE  
 PUBLIC

TUMBLING STREET  
 PUBLIC

4682

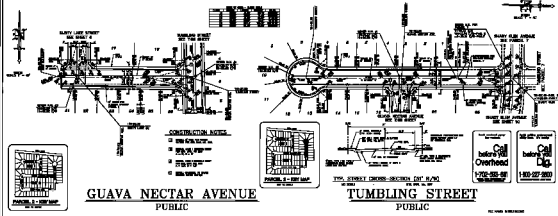
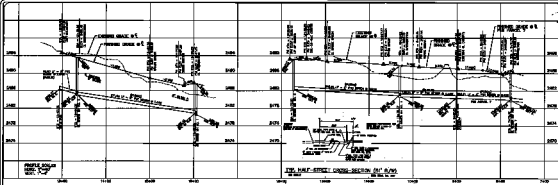


DATE	
BY	
CHECKED BY	
APPROVED BY	
SCALE	

PROJECT NUMBER - MARIQUA CHURCH  
 ALABAMA HIGHWAY - PARCEL 1  
 UNIT 1 - GUAVA NECTAR AVENUE &  
 TUMBLING STREET

FOR MORE INFORMATION  
 CALL  
**Orion**  
 1-800-227-2800

SCALE  
 1" = 20'



**GUAVA NECTAR AVENUE**  
PUBLIC

**TUMBLING STREET**  
PUBLIC

10-1000-000000