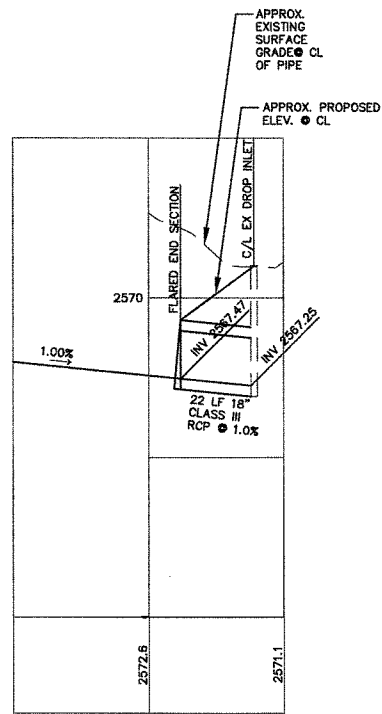
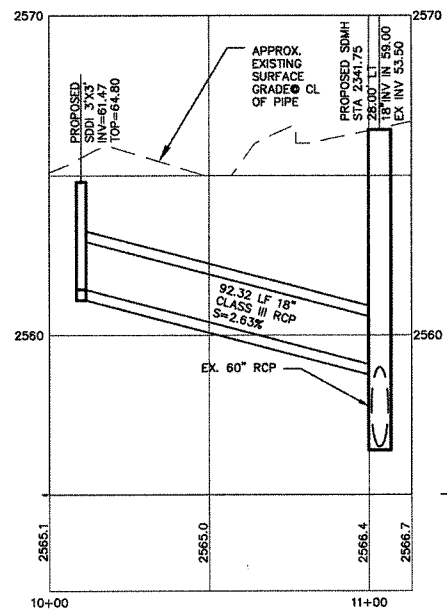


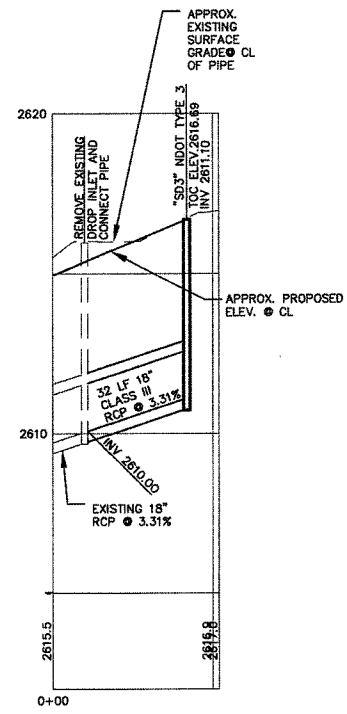
117889



"SD1" PROFILE
SEE SHEET C2.03

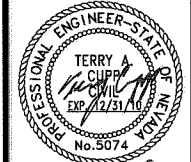


"SD2" PROFILE
SEE SHEET C5.03



"SD3" PROFILE
SEE SHEET C5.03

H34497



SHEET
C5.10
21 of 59 SHEETS
DRAWING NO.
107V5239

DRAWN BY:
TAC
DESIGNED BY:
TAC
CHECKED BY:
TAC
PROJECT NO:
SCALE: 1"=30' HORIZ.
VERT.

**STORM DRAIN PLAN
AND PROFILE**
**CENTENNIAL HILLS TRANSIT
CENTER AND PARK AND RIDE**

REGIONAL TRANSPORTATION COMMISSION
600 S. GRAND CENTRAL PARKWAY
Las Vegas, NV
TCUPP
2470 St. Rose Parkway
Henderson, NV 89074
(702) 962-2839 Fax (702) 962-2446

REV	DATE	BY	REVISION