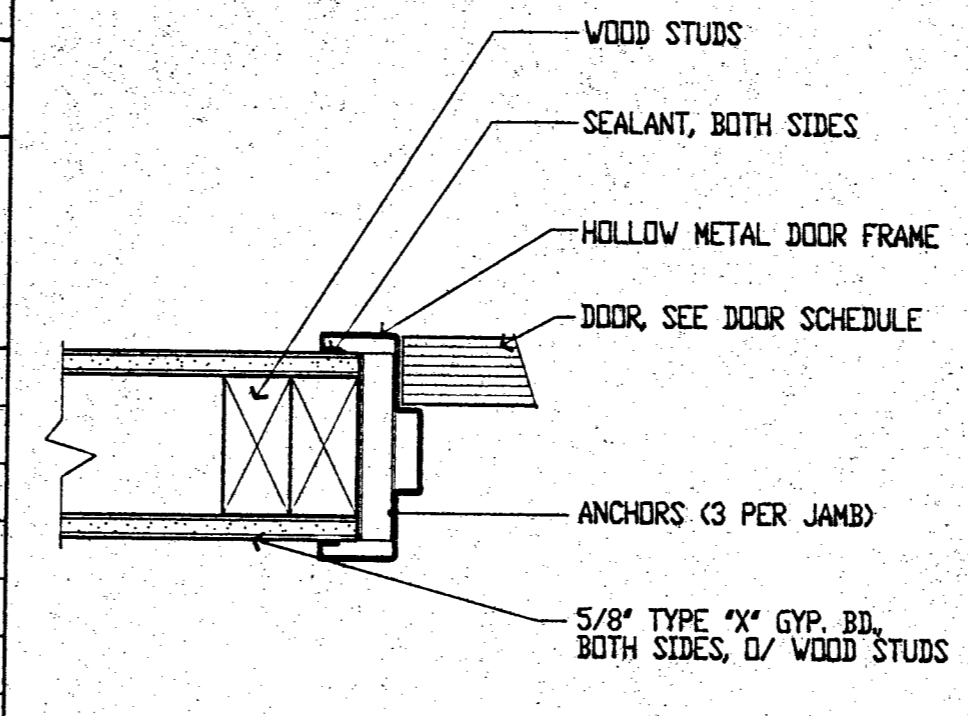
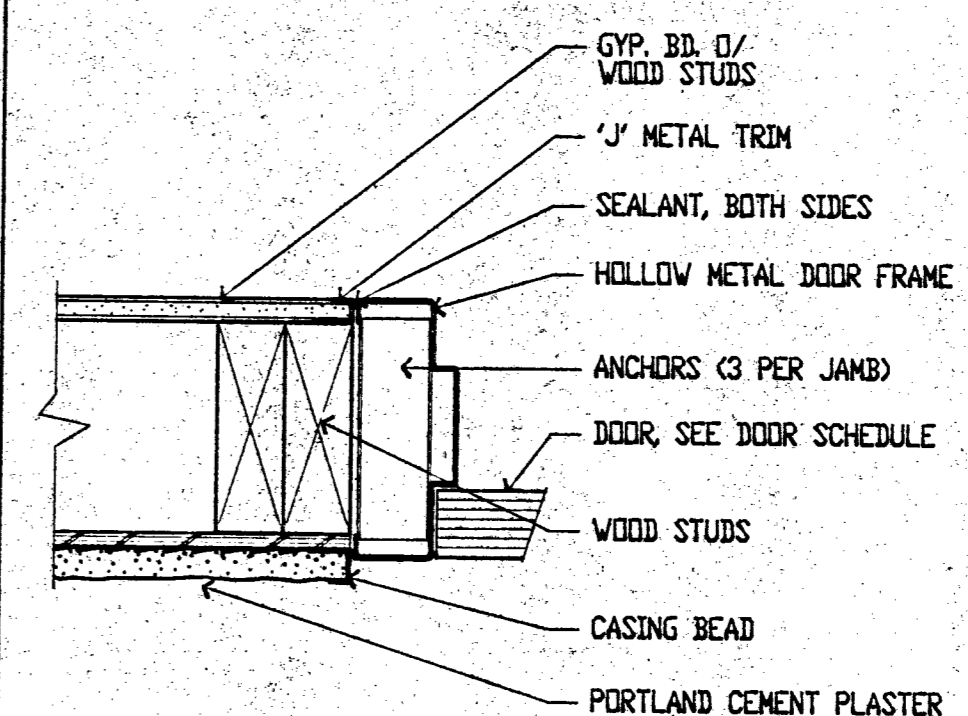


DOOR SCHEDULE

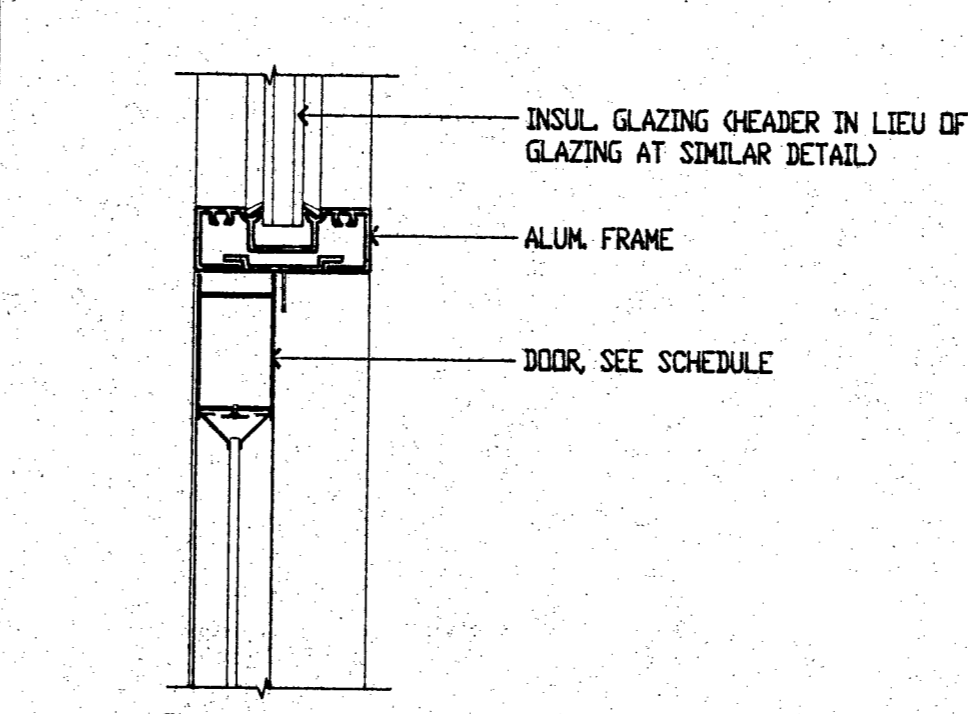
DOOR NO.	ROOM NO.	DOOR										FRAME					FIRE RATING	REMARKS				
		TYPE			MATERIAL	GAUGE	FINISH	CLEAR ANODIZED	MATERIAL	GAUGE	FINISH	SIZE	HEAD	JAMB	JAMB	THRES.						
		WIDTH	HEIGHT	THICKNESS																		
1	101	PAIR	3'-0"	7'-0"	-	A	ALUMINUM	-	-	-	CLEAR ANODIZED	ALUMINUM	-	-	-	3	8	8	A2-11	1	-	
2	102		3'-0"	7'-0"	1-3/4"	B	WOOD	-	-	-	IP-6	METAL	16	IP-7	2"x5-7/8"	A2-10	A2-10	A2-10	1	4	20 MIN.	
2A	102		3'-0"	7'-0"	1-3/4"	B	WOOD	-	-	-	IP-6	METAL	16	IP-7	2"x5-7/8"	A2-10	A2-10	A2-10	1	10	-	
2B	102		3'-4"	7'-0"	1-3/4"	D	METAL	18	EP-6	EP-	IP-6	METAL	16	IP-7	2"x6-3/4"	A2-10	A2-10	A2-10	7	7	-	
2C	102		-	-	-	C	-	-	-	-	-	-	-	-	-	-	-	-	-	-	-	
2D	102		3'-0"	7'-0"	1-3/4"	B	WOOD	-	-	-	IP-6	METAL	16	IP-7	2"x7-1/8"	A2-10	A2-10	A2-10	1	4	20 MIN.	
3	103		3'-0"	7'-0"	1-3/4"	B	WOOD	-	-	-	IP-6	METAL	16	IP-7	2"x5-7/8"	A2-10	A2-10	A2-10	1	8	20 MIN.	
5	105		3'-0"	7'-0"	1-3/4"	B	WOOD	-	-	-	IP-6	METAL	16	IP-7	2"x5-7/8"	A2-10	A2-10	A2-10	1	8	20 MIN.	
6	106		3'-0"	7'-0"	1-3/4"	B	WOOD	-	-	-	IP-6	METAL	16	IP-7	2"x5-7/8"	A2-10	A2-10	A2-10	1	8	20 MIN.	
7	107		3'-0"	7'-0"	1-3/4"	B	WOOD	-	-	-	IP-6	METAL	16	IP-7	2"x5-7/8"	A2-10	A2-10	A2-10	1	8	20 MIN.	
8	108		3'-0"	7'-0"	1-3/4"	B	WOOD	-	-	-	IP-6	METAL	16	IP-7	2"x5-7/8"	A2-10	A2-10	A2-10	1	11	20 MIN.	
9	109		3'-0"	7'-0"	1-3/4"	B	WOOD	-	-	-	IP-6	METAL	16	IP-7	2"x5-7/8"	A2-10	A2-10	A2-10	1	8	20 MIN.	
10	110		3'-0"	7'-0"	1-3/4"	B	WOOD	-	-	-	IP-6	METAL	16	IP-7	2"x5-7/8"	A2-10	A2-10	A2-10	1	8	20 MIN.	
11	111		3'-0"	7'-0"	1-3/4"	B	WOOD	-	-	-	IP-6	METAL	16	IP-7	2"x7-1/8"	A2-10	A2-10	A2-10	1	8	20 MIN.	
11A	111		3'-0"	7'-0"	1-3/4"	B	WOOD	-	-	-	IP-6	METAL	16	IP-7	2"x5-7/8"	A2-10	A2-10	A2-10	1	8	20 MIN.	
12	112		3'-0"	7'-0"	1-3/4"	B	WOOD	-	-	-	IP-6	METAL	16	IP-7	2"x7-1/8"	A2-10	A2-10	A2-10	1	3	20 MIN.	
12A	112		3'-0"	7'-0"	1-3/4"	B	WOOD	-	-	-	IP-6	METAL	16	IP-7	2"x5-7/8"	A2-10	A2-10	A2-10	1	3	20 MIN.	
13	113		3'-0"	7'-0"	1-3/4"	B	WOOD	-	-	-	IP-6	METAL	16	IP-7	2"x5-7/8"	A2-10	A2-10	A2-10	1	8	20 MIN.	
14	114		3'-0"	7'-0"	1-3/4"	B	WOOD	-	-	-	IP-6	METAL	16	IP-7	2"x5-7/8"	A2-10	A2-10	A2-10	1	6	20 MIN.	
15	115		3'-0"	7'-0"	1-3/4"	B	WOOD	-	-	-	IP-6	METAL	16	IP-7	2"x5-7/8"	A2-10	A2-10	A2-10	1	6	20 MIN.	
16	116		3'-0"	7'-0"	1-3/4"	D	METAL	18	EP-2	EP-	IP-6	METAL	16	IP-7	2"x6-3/4"	A2-10	A2-10	A2-10	2	9	-	
17	117		3'-0"	7'-0"	1-3/4"	D	METAL	18	EP-2	EP-	IP-6	METAL	16	IP-7	2"x6-3/4"	A2-10	A2-10	A2-10	2	9	-	
18	118		3'-0"	7'-0"	1-3/4"	B	WOOD	-	-	-	IP-6	METAL	16	IP-7	2"x5-7/8"	A2-10	A2-10	A2-10	1	5	-	
19	119		3'-0"	7'-0"	1-3/4"	B	WOOD	-	-	-	IP-6	METAL	16	IP-7	2"x5-7/8"	A2-10	A2-10	A2-10	1	4	20 MIN.	
20	120		3'-0"	7'-0"	1-3/4"	B	WOOD	-	-	-	IP-6	METAL	16	IP-7	2"x5-7/8"	A2-10	A2-10	A2-10	1	3	20 MIN.	
21	121		3'-0"	7'-0"	1-3/4"	B	WOOD	-	-	-	IP-6	METAL	16	IP-7	2"x5-7/8"	A2-10	A2-10	A2-10	1	5	-	
22	122		3'-0"	7'-0"	1-3/4"	B	WOOD	-	-	-	IP-6	METAL	16	IP-7	2"x5-7/8"	A2-10	A2-10	A2-10	1	8	20 MIN.	
23	123		3'-0"	7'-0"	1-3/4"	B	WOOD	-	-	-	IP-6	METAL	16	IP-7	2"x5-7/8"	A2-10	A2-10	A2-10	1	8	20 MIN.	
24	124		3'-0"	7'-0"	1-3/4"	B	WOOD	-	-	-	IP-6	METAL	16	IP-7	2"x5-7/8"	A2-10	A2-10	A2-10	1	8	20 MIN.	
25	125		3'-0"	7'-0"	1-3/4"	B	WOOD	-	-	-	IP-6	METAL	16	IP-7	2"x5-7/8"	A2-10	A2-10	A2-10	1	8	20 MIN.	
26	126		3'-0"	7'-0"	1-3/4"	B	WOOD	-	-	-	IP-6	METAL	16	IP-7	2"x5-7/8"	A2-10	A2-10	A2-10	1	3	20 MIN.	
27	127		3'-0"	7'-0"	1-3/4"	B	WOOD	-	-	-	IP-6	METAL	16	IP-7	2"x5-7/8"	A2-10	A2-10	A2-10	1	8	20 MIN.	
28	128		3'-0"	7'-0"	1-3/4"	B	WOOD	-	-	-	IP-6	METAL	16	IP-7	2"x5-7/8"	A2-10	A2-10	A2-10	1	11	20 MIN.	
29	129		3'-0"	7'-0"	1-3/4"	B	WOOD	-	-	-	IP-6	METAL	16	IP-7	2"x5-7/8"	A2-10	A2-10	A2-10	1	8	20 MIN.	
30	130		3'-0"	7'-0"	1-3/4"	B	WOOD	-	-	-	IP-6	METAL	16	IP-7	2"x5-7/8"	A2-10	A2-10	A2-10	1	8	20 MIN.	
31	131		3'-0"	7'-0"	1-3/4"	B	WOOD	-	-	-	IP-6	METAL	16	IP-7	2"x5-7/8"	A2-10	A2-10	A2-10	1	8	20 MIN.	
33	133		3'-4"	7'-0"	1-3/4"	D	METAL	18	EP-6	EP-	IP-6	METAL	16	IP-7	2"x6-3/4"	A2-10	A2-10	A2-10	7	7	-	
34	134	PAIR	3'-0"	7'-0"	1-3/4"	A	ALUMINUM	-	-	-	CLEAR ANODIZED	ALUMINUM	-	-	-	3 CS10	8 CS10	8 CS10	A2-11	2	-	



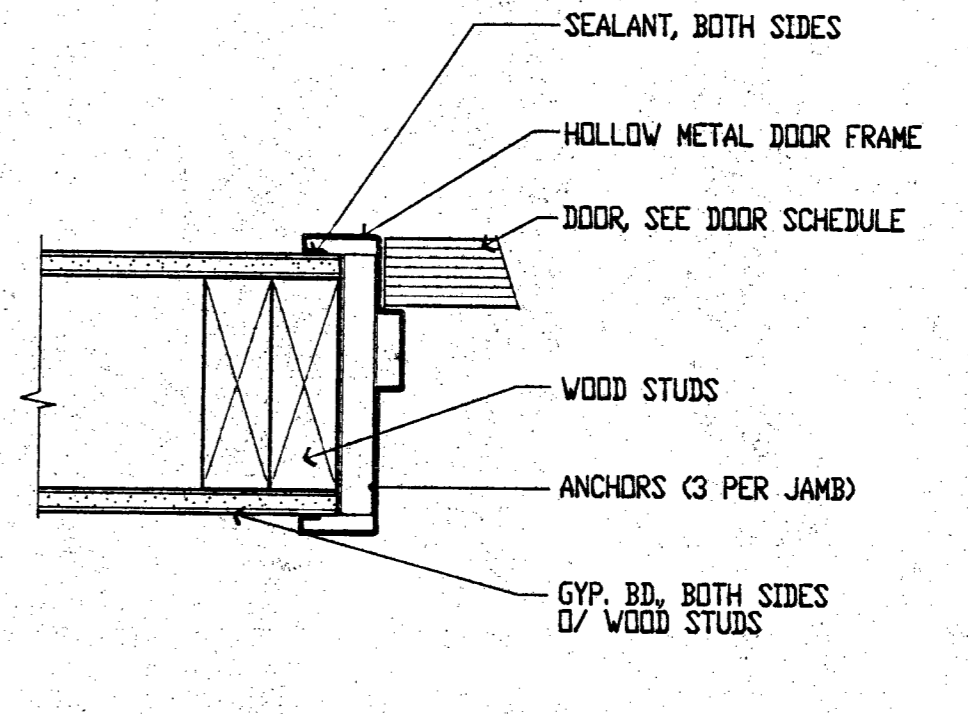
DOOR JAMB DETAIL
SCALE: 3/4"=1'-0"



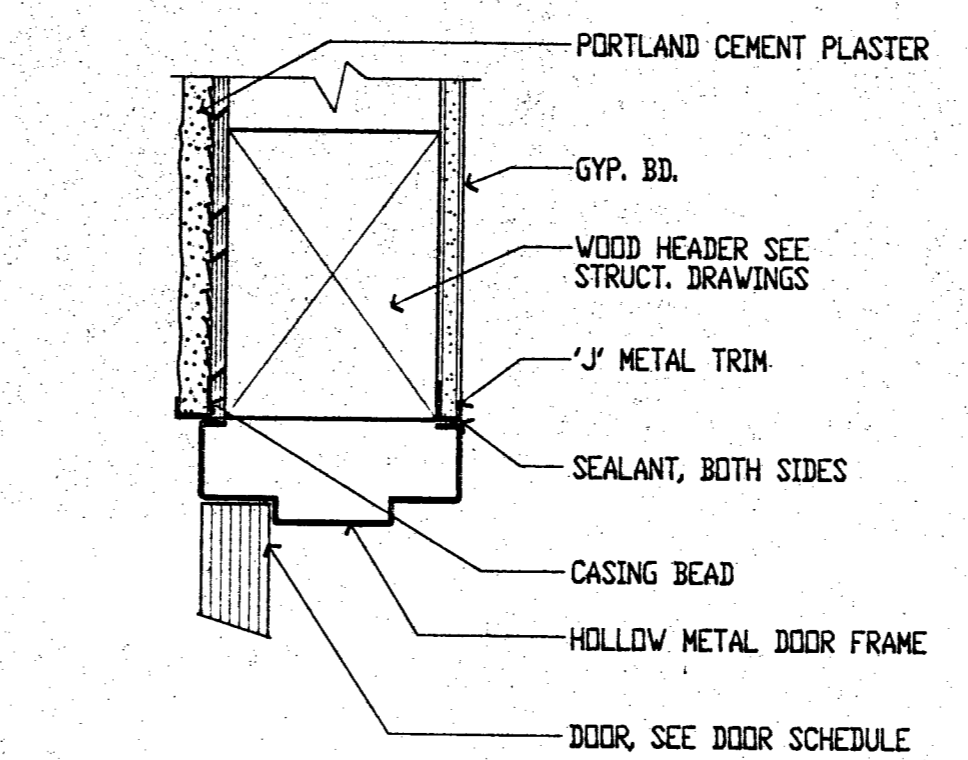
DOOR JAMB DETAIL
SCALE: 3/4"=1'-0"



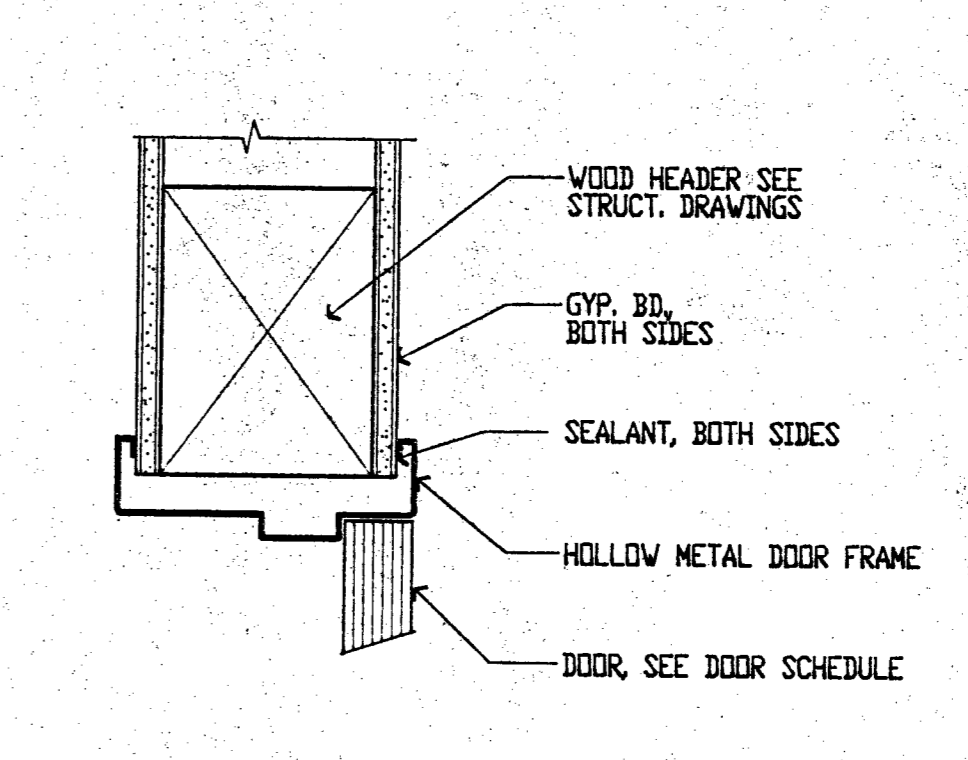
DOOR TRANSOM
SCALE: 3/4"=1'-0"



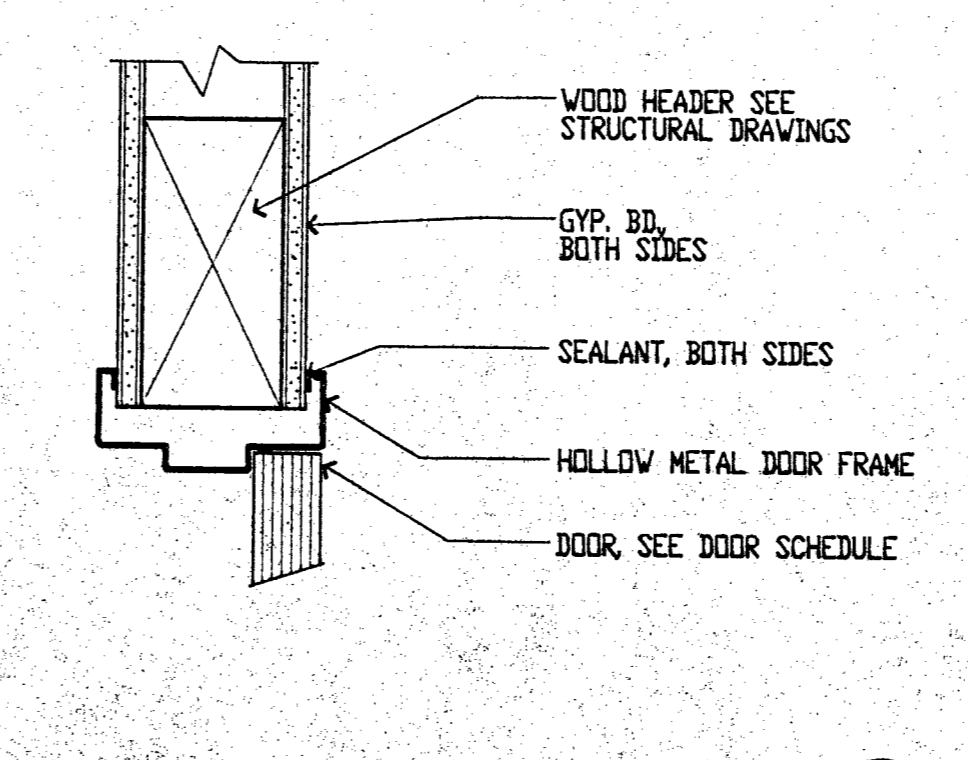
DOOR JAMB DETAIL
SCALE: 3/4"=1'-0"



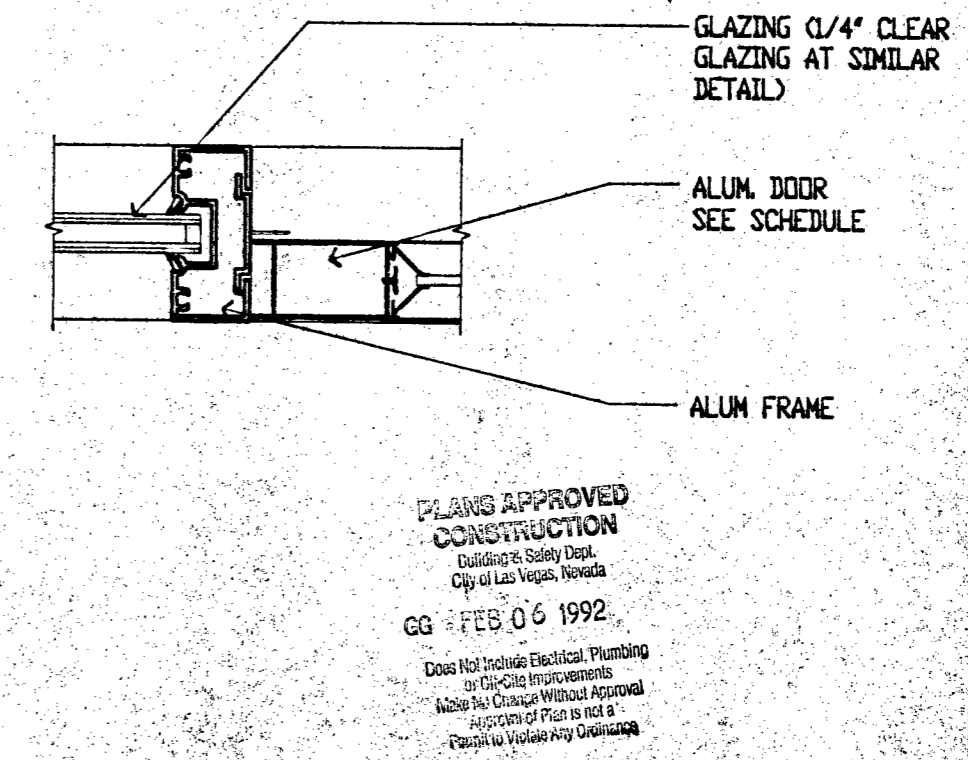
DOOR HEAD DETAIL
SCALE: 3/4"=1'-0"



DOOR HEAD DETAIL
SCALE: 3/4"=1'-0"



DOOR HEAD DETAIL
SCALE: 3/4"=1'-0"

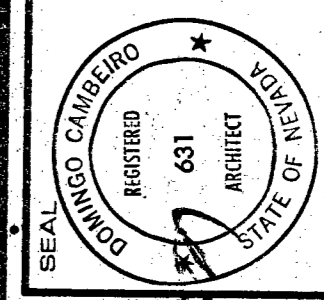


JAMB DETAIL
SCALE: 3/4"=1'-0"

REVISIONS		
REV	DESCRIPTION	DATE

DOMINGO CAMBEIRO CORPORATION 1990

All designs, arrangements and plans indicated or presented by this drawing as instruments of service, are owned by and the property of DOMINGO CAMBEIRO CORPORATION. The use of these plans and/or specifications shall be restricted to the original site for which they were prepared and publication thereof is expressly limited to such use. Reproduction, publication or re-use by any method in whole or in part is prohibited. None of such designs, arrangements or plans shall be used by or disclosed to any person, firm, agency or corporation without the written permission of DOMINGO CAMBEIRO CORPORATION. Visual contact with these plans and specifications shall constitute prima facie evidence of acceptance of these restrictions.



DRAWN BY: [Signature]
CHECKED BY: [Signature]
ISSUED DATE: 1-21-92

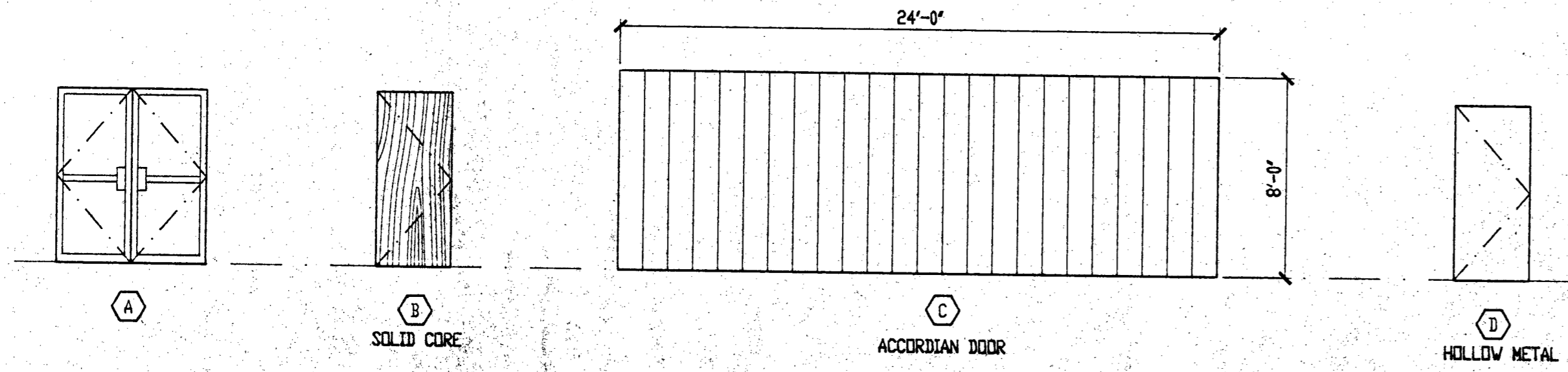
DOOR SCHEDULE, TYPES AND DETAILS
DO NOT SCALE DRAWINGS

ADMINISTRATION BUILDING
DETENTION FACILITY EXPANSION
CITY OF LAS VEGAS, NEVADA

Domingo Cambeiro Corporation
ARCHITECTURE • ENGINEERING • PLANNING • INTERIORS
3655 PECOS-McLEOD IC. LAS VEGAS, NEVADA 89121
(702) 732-0064



SHEET NO. **A2.10**



DOOR TYPES
SCALE: 1/4"=1'-0"