

ROOM FINISH SCHEDULE

FINISH LEGEND

RM. NO.	ROOM NAME	FLOORING		CEILING		WALLS							REMARKS	
		MATERIAL	BASE	MATERIAL	HEIGHT	1	2	3	4	5	6	7		
100	SECRETARY	CPT-1	RB-1	IP-8										
101	LOBBY	CPT-1	RB-1	IP-8		IP-1	IP-2	IP-1	IP-2	IP-1	IP-2			FLOOR GROUT: G-1 WALLS: IP-1 ACCENT BAND IP-2
102	CONFERENCE	CPT-1 WITH CPT2/CPT3	RB-1	ACT-1	9'-0"	WC-1	WC-1	WC-1	WC-1					CARPET ACCENT - SEE PLAN BELOW
103	DIRECTOR	CPT-1	RB-1	ACT-1	9'-0"	WC-2	WC-2	WC-2	WC-2					
105	DEPUTY DIRECTOR	CPT-1	RB-1	ACT-1	9'-0"	WC-2	WC-2	WC-2	WC-2					
106	OFFICE	CPT-1	RB-1	ACT-1	9'-0"	IP-3	IP-4	IP-4	IP-3					
107	OFFICE	CPT-1	RB-1	ACT-1	9'-0"	IP-3	IP-3	IP-5	IP-5					
108	TOILET	CFT-2	CTB-1	IP-3	8'-0"	CVT-1	CVT-1	CVT-1	CVT-1					FLOOR GROUT: G-1 (SEE), GROUT: G-2, PAINT FROM TILE TO CLG. WALLS: GROUT: G-2. SEE WALL ACCENT PATTERN BELOW
109	OFFICE	CPT-1	RB-1	ACT-1	9'-0"	IP-5	IP-5	IP-4	IP-4					
110	OFFICE	CPT-1	RB-1	ACT-1	8'-0"	IP-3	IP-4	IP-3	IP-3					
111	ADMINISTRATIVE SECRETARY	CPT-1	RB-1	ACT-1	9'-0"	WC-3	WC-3	WC-3	WC-3					
112	COPY ROOM	CPT-1	RB-1	ACT-1	9'-0"	IP-3	IP-3	IP-3	IP-3					
113	OFFICE	CPT-1	RB-1	ACT-1	9'-0"	IP-3	IP-3	IP-1	IP-3					
114	WOMEN	CFT-2	CTB-1	ACT-1	8'-0"	CVT-1	IP-3	IP-3	CVT-1					FLOOR GROUT: G-1 WALL GROUT: G-2 SEE WALL ACCENT PLAN BELOW
115	MEN	CFT-2	CTB-1	ACT-1	8'-0"	CVT-1	CVT-1	IP-3	IP-3					FLOOR GROUT: G-1 WALL GROUT: G-2 SEE WALL ACCENT PLAN BELOW
116	WATER HEATER ROOM	CONCRETE	RB-1	IP-3	8'-0"	IP-3	IP-3	IP-3	IP-3					
117	ELECTRICAL ROOM	VCT-1	RB-2	IP-3	8'-0"	IP-3	IP-3	IP-3	IP-3					
118	STORAGE	VCT-1	RB-2	IP-3	8'-0"	IP-3	IP-3	IP-3	IP-3					
119	JANITOR	VCT-1	RB-2	IP-3	8'-0"	IP-3	IP-3	IP-3	IP-3					
120	EMPLOYEE LOUNGE	CPT-1 VCT-1	RB-1	ACT-1	9'-0"	IP-1	IP-3	IP-1	IP-1					VCT INSET IN FRONT OF COUNTER AREA - (SEE PLAN BELOW)
121	STORAGE	VCT-1	RB-2	IP-3	8'-0"	IP-3	IP-3	IP-3	IP-3					
122	OFFICE	CPT-1	RB-1	ACT-1	9'-0"	IP-3	IP-1	IP-1	IP-3					
123	OFFICE	CPT-1	RB-1	ACT-1	9'-0"	IP-3	IP-4	IP-4	IP-3					
124	OFFICE	CPT-1	RB-1	ACT-1	9'-0"	IP-4	IP-5	IP-5	IP-4					
125	OFFICE	CPT-1	RB-1	ACT-1	9'-0"	IP-4	IP-3	IP-3	IP-3					
126	OFFICE	CPT-1	RB-1	ACT-1	9'-0"	IP-4	IP-4	IP-5	IP-5					
127	OFFICE	CPT-1	RB-1	ACT-1	9'-0"	IP-4	IP-5	IP-5	IP-4					
128	HANDICAP ACCESSIBLE TOILET	CFT-2	CTB-1	IP-3	8'-0"	CVT-1	CVT-1	CVT-1	CVT-1					FLOOR GROUT: G-1 WALL GROUT: G-2 SEE WALL ACCENT PLAN BELOW
129	STORAGE	VCT-1	RB-2	IP-3	8'-0"	IP-3	IP-3	IP-3	IP-3					
130	OFFICE	CPT-1	RB-1	ACT-1	9'-0"	IP-4	IP-3	IP-3	IP-3					
131	OFFICE	CPT-1	RB-1	ACT-1	9'-0"	IP-3	IP-3	IP-3	IP-4					
132	CORRIDOR	CPT-1	RB-1	ACT-1	8'-0"	IP-3	IP-3	IP-3	IP-3					
133	CORRIDOR	CPT-1	RB-1	ACT-1	8'-0"	IP-3	IP-3	IP-3	IP-3					
134	CORRIDOR	CPT-1	RB-1	ACT-1	8'-0"	IP-3	IP-3	IP-3	IP-3					

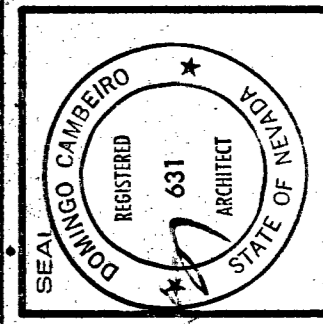
- CARPET**
- CPT-1 SHAW SEA TRAIL 28 50444 44961 MULBERRY
 - CPT-2 SHAW CYPRESS POINT III 30 50531 33951 LILAC SMOKE
 - CPT-3 SHAW CYPRESS POINT III 30 50531 33553 TWILIGHT BLUE
- VINYL COMPOSITION TILE**
- VCT-1 ARMSTRONG COMPANION SQUARE 51974 POLYCHROME WHITE 12" X 12" X 1/8"
- CERAMIC FLOOR TILE**
- CFT-1 AMERICAN OLEAN W66 EVENING SHADOWS 8" X 8"
 - CFT-2 AMERICAN OLEAN A33 CHARCOAL 2" X 2"
- RUBBER BASE**
- RB-1 MERCER MIRROR FINISH 4" WALL BASE, COLOR 101
 - RB-2 ROPPE VINYL 577 STEEL BLUE
- ACOUSTIC CEILING TILE**
- ACT-1 ARMSTRONG REGULAR FISSURED MINATONE 705A 24" X 24"
- CERAMIC WALL TILE**
- CWT-1 AMERICAN OLEAN SATINBRITE 2" X 2" Y62 LITE STERLING (FIELD)
 - CWT-2 AMERICAN OLEAN SATINBRITE 2" X 2" Y67 TEAL (ACCENT)
 - CWT-3 AMERICAN OLEAN SATINBRITE 2" X 2" Y64 GLOSS BLACK (ACCENT)
- CERAMIC TILE BASE**
- CTB-1 AMERICAN OLEAN C833 COLOR A33 CHARCOAL PLUS (2) COURSES CFT-3,
- PRE-FINISHED METAL PANELS**
- MR-1 AEP-SPAN SMOKE BLUE STRUCTURAL BATTEN SYSTEM
- INTERIOR PAINTS**
- IP-1 FRAZEE 4000V GOSSAMER
 - IP-2 FRAZEE 4001V WISHES
 - IP-3 FRAZEE 5890V CITY LIGHTS
 - IP-4 FRAZEE 5450V PEARL GREY
 - IP-5 FRAZEE 5470V ZIRCIN
 - IP-6 FRAZEE 5471V CLOUDY DAY
 - IP-7 FRAZEE 5445A SHALE
 - IP-8 FRAZEE 5820V WHITE WHITE
- WALL COVERING**
- WC-1 BLAUTEX/VYCON Y41142 MARDI GRAS
 - WC-2 KINNEY BRGS/GENON 233-2031 STRASBOURG
 - WC-3 BLAUTEX MDS-3574 / CDMO
- TOILET PARTITIONS**
- TP-1 GLOBAL/SPECTRA21 2123 CHARCOAL
- PLASTIC LAMINATES**
- PL-1 NEVAMAR MR-1-ST TEXTURED ORCHID MIST MATRIX
 - PL-2 NEVAMAR S-6-1T TEXTURED BLACK
 - PL-3 NEVAMAR MR-6-ST TEXTURED WINTER GRAY MATRIX
- INTERIOR PAINTS**
- EP-1 FRAZEE 5910V
 - EP-2 FRAZEE 5373M
 - EP-3 COLOR TO MATCH AEP-SPAN SMOKEY BLUE

REVISIONS

REV	DESCRIPTION	DATE	BY

DOMINGO CAMBEIRO CORPORATION 1990

All designs, arrangements and plans indicated or presented by this drawing as instruments of service, are owned by and the property of DOMINGO CAMBEIRO CORPORATION. The use of these plans and/or specifications shall be restricted to the original site for which they were prepared and publication thereof is expressly limited to such use. Reproduction, publication or re-use by any method in whole or in part is prohibited. None of such design, arrangements or plans shall be used by or disclosed to any person, firm, agency or corporation without the written permission of DOMINGO CAMBEIRO CORPORATION. Visual contact with these plans and specifications shall constitute prima facie evidence of acceptance of these restrictions.

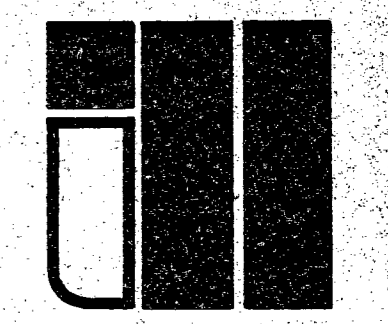


DRAWN BY: [Signature]
 CHECKED BY: [Signature]
 ISSUED DATE: 1-21-96

SCHEDULE AND COLOR LEGEND
 DO NOT SCALE DRAWINGS

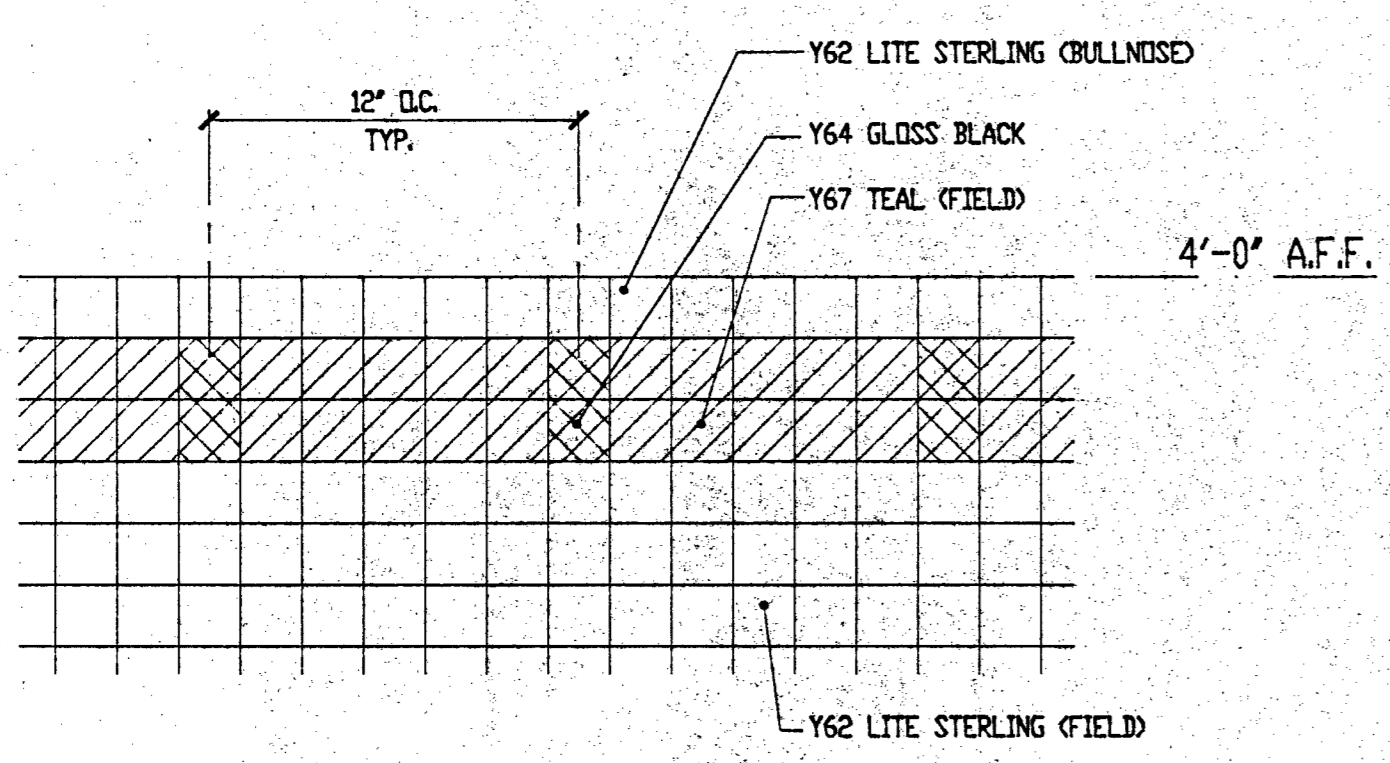
ADMINISTRATION BUILDING DETENTION FACILITY EXPANSION CITY OF LAS VEGAS, NEVADA

Domingo Cambeiro Corporation
 ARCHITECTURE ENGINEERING PLANNING INTERIORS
 3656 PECOS-MCLEOD IC, LAS VEGAS, NEVADA 89121 (702) 792-0084



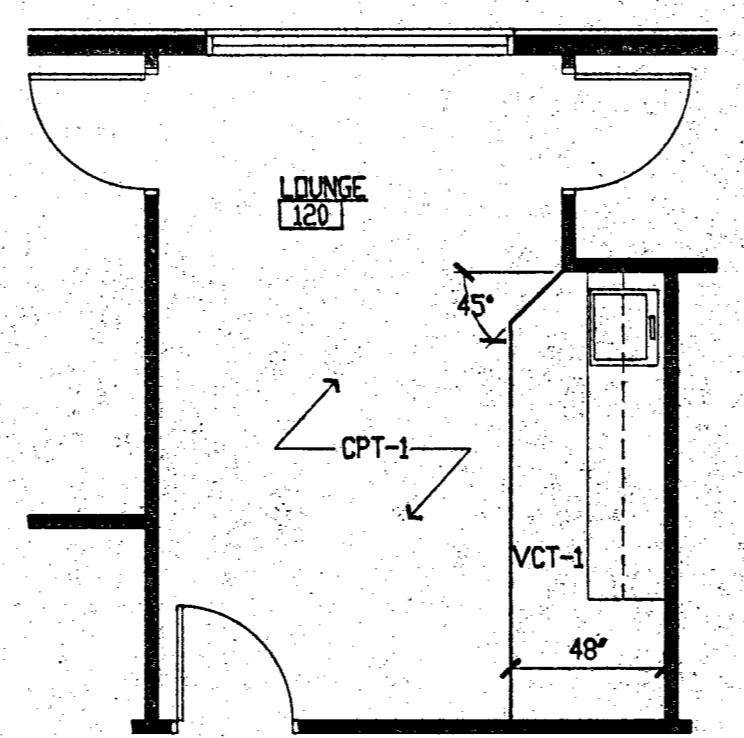
SHEET NO. **A2.01**

GENERAL NOTES

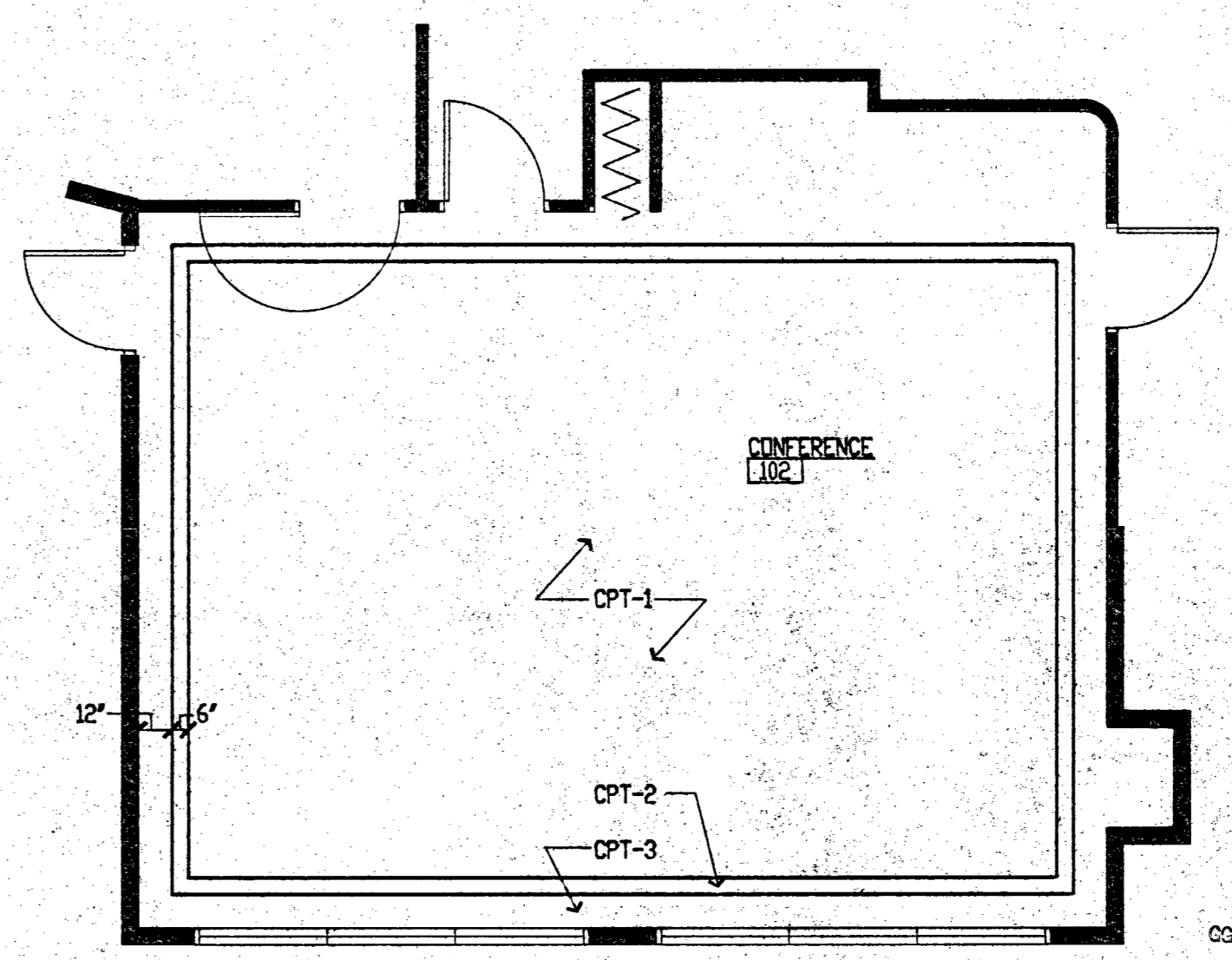


MEN 115 AND WOMEN 114, TOILET 108 AND ACCESSIBLE TOILET 128

WALL TILE ACCENT BAND
 SEE A120 FOR INTERIOR ELEVATIONS



FLOOR FINISH PLAN • LOUNGE 120
 SCALE: 1/4"=1'-0"



FLOOR FINISH PLAN • CONFERENCE 102
 SCALE: 1/4"=1'-0"

PLANS APPROVED
 CONSTRUCTION
 Building & Safety Dept.
 City of Las Vegas, Nevada
 03 FEB 06 1992
 Does not include Electrical, Plumbing and/or Mechanical. All work to be done in accordance with approved plans and specifications. Permit to Construct required.