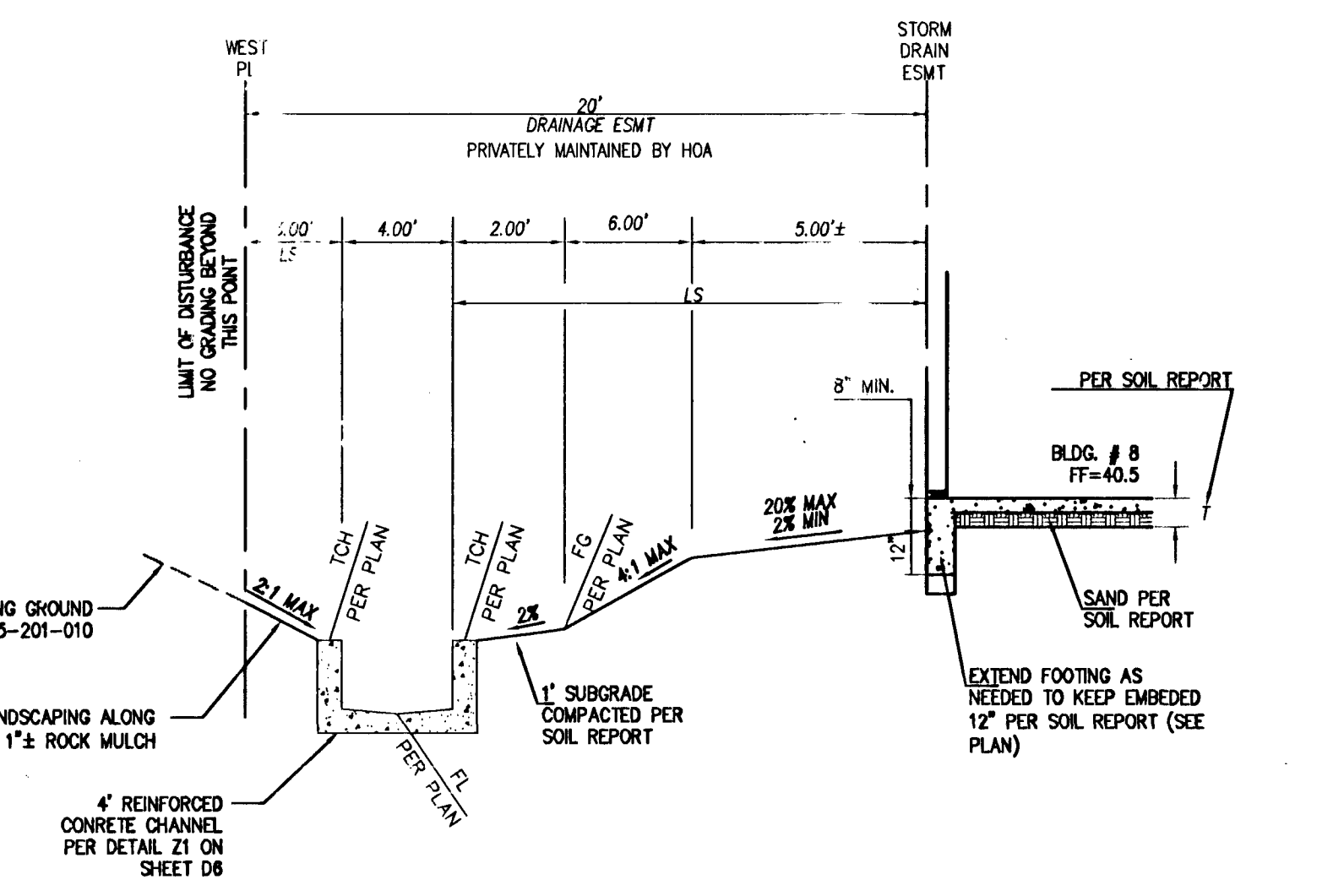


SECTION U1

NTS

U1
D6

*ALL INFORMATION SHOWN HEREON ARE FOR GUIDANCE ONLY. REFER TO GEOTECHNICAL REPORT BY: GTI- NEVADA WORK ORDER NO. 7752-LV8

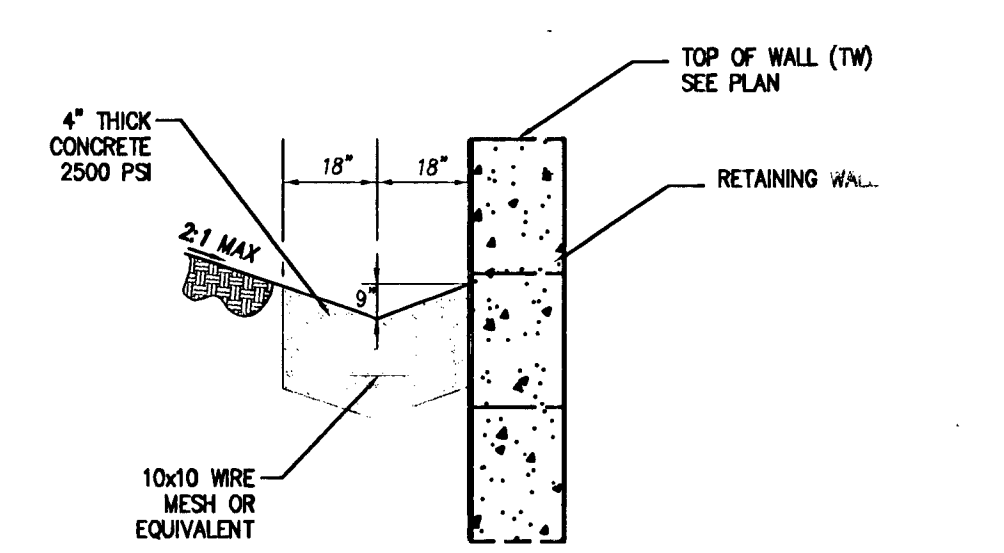


SECTION V1

NTS

V1
D6

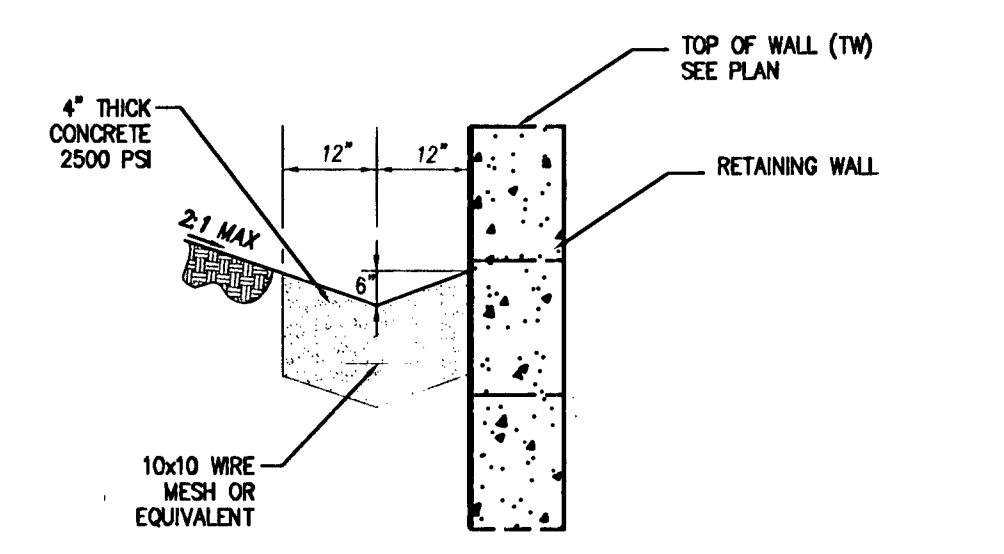
*ALL INFORMATION SHOWN HEREON ARE FOR GUIDANCE ONLY. REFER TO GEOTECHNICAL REPORT BY: GTI- NEVADA WORK ORDER NO. 7752-LV8



CONCRETE SWALE

NTS

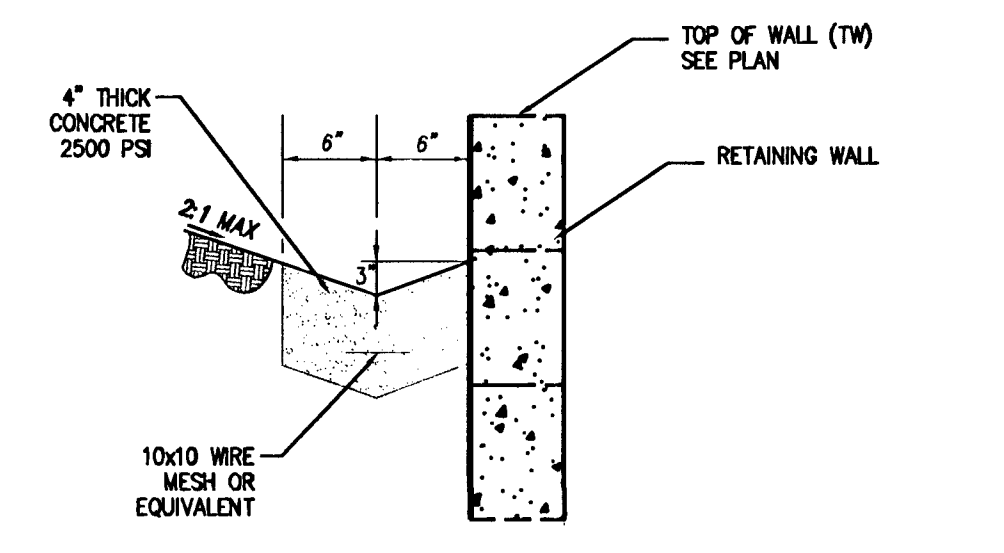
Z7
D6



CONCRETE SWALE

NTS

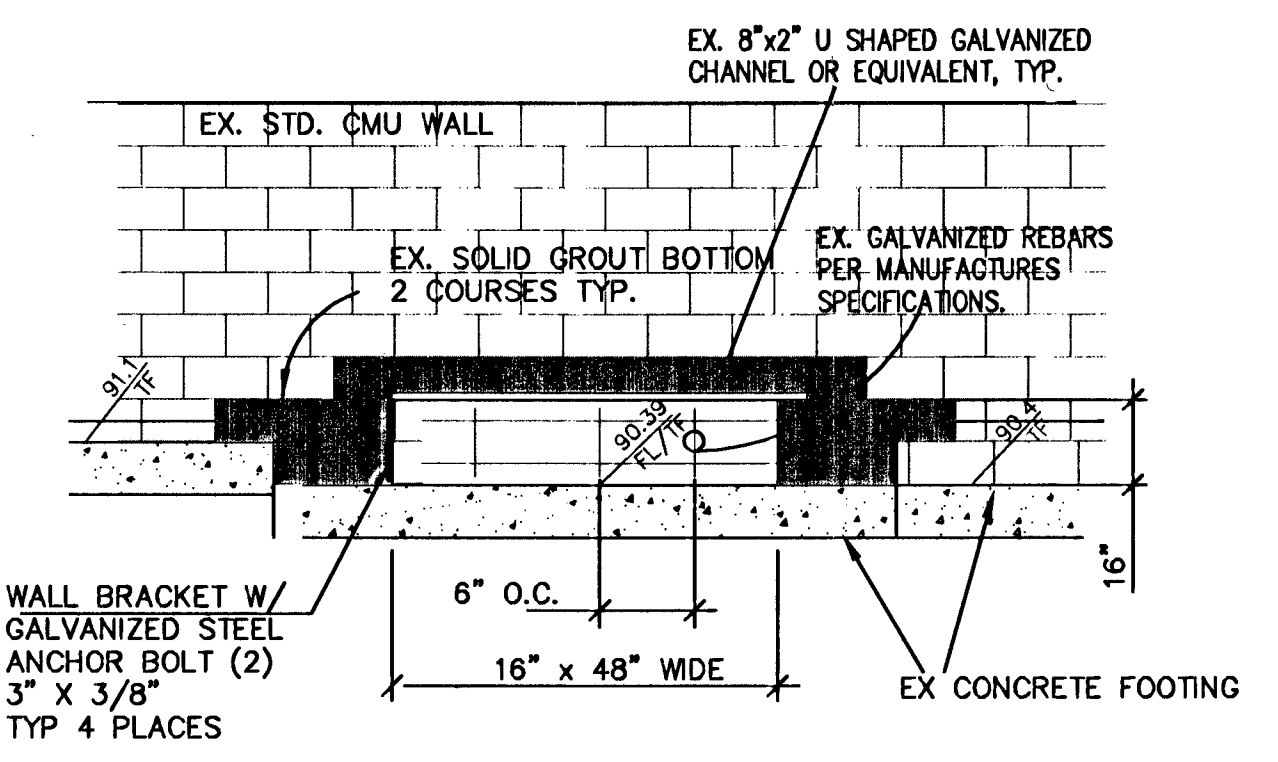
Z6
D6



CONCRETE SWALE

NTS

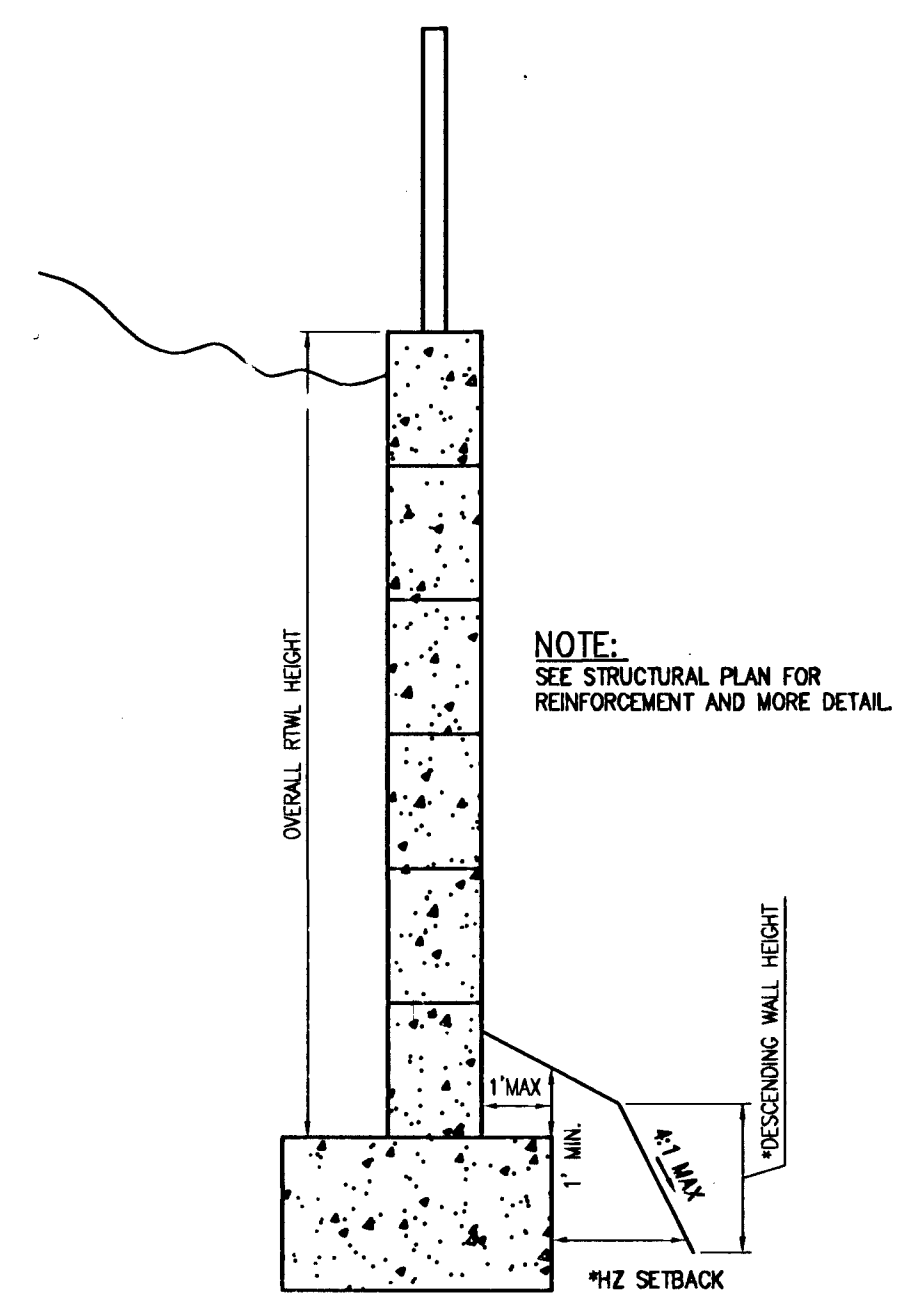
Z5
D6



48'x16' BLOCK WALL OPENING

NTS

Z2
D6



MINIMUM HORIZONTAL SETBACKS FOR RETAINING AND BLOCK WALLS

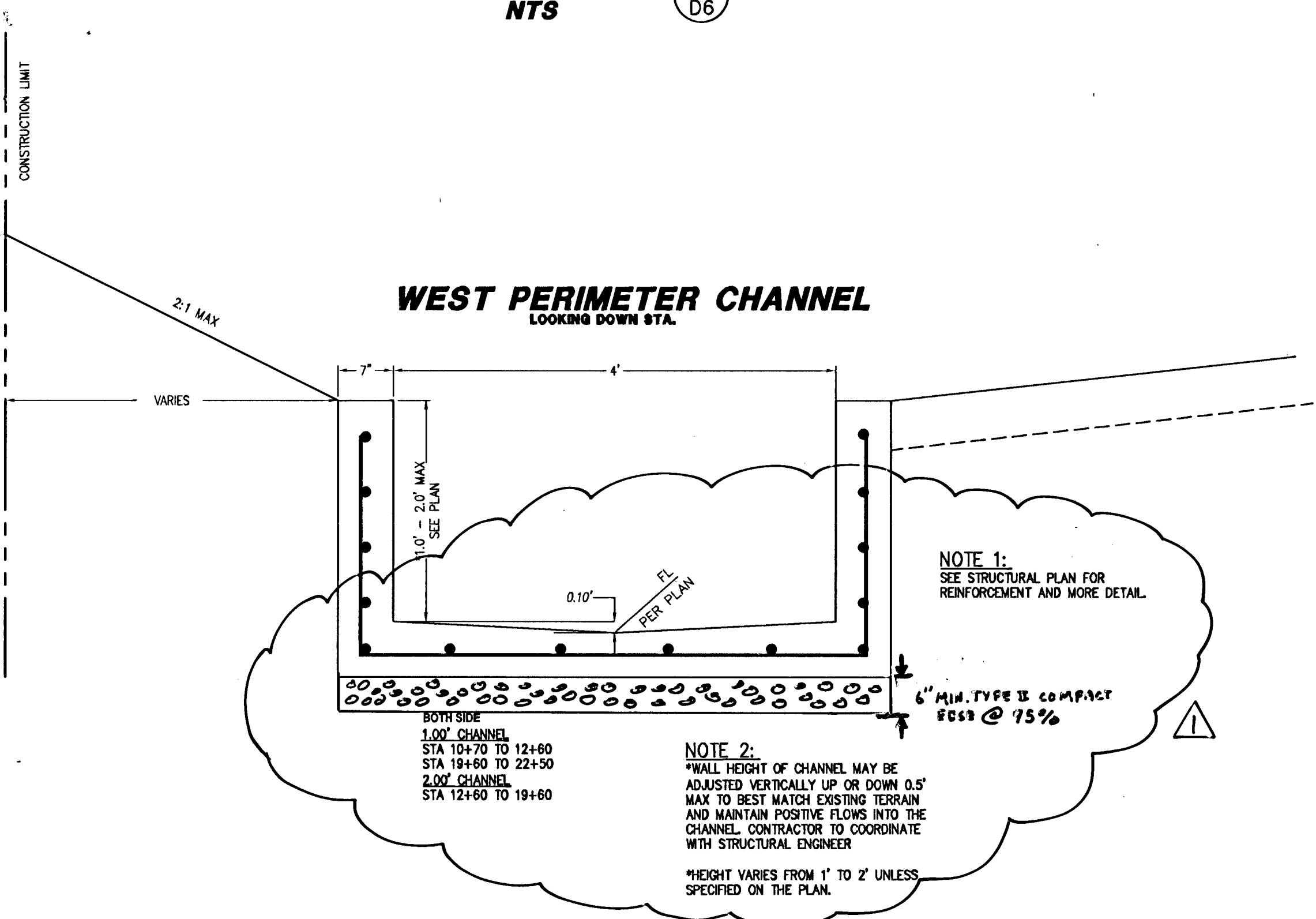
NTS

Z3
D6

*DESCENDING SLOPE HEIGHT	*HORIZONTAL SETBACK
UP TO 5' HIGH	2' 0"
5'-8' HIGH	3' 0"
8'-10' HIGH	4' 0"

NOTE: ALL RETAINING WALLS MUST HAVE 4" MINIMUM COVERING ON TOP OF FOOTING

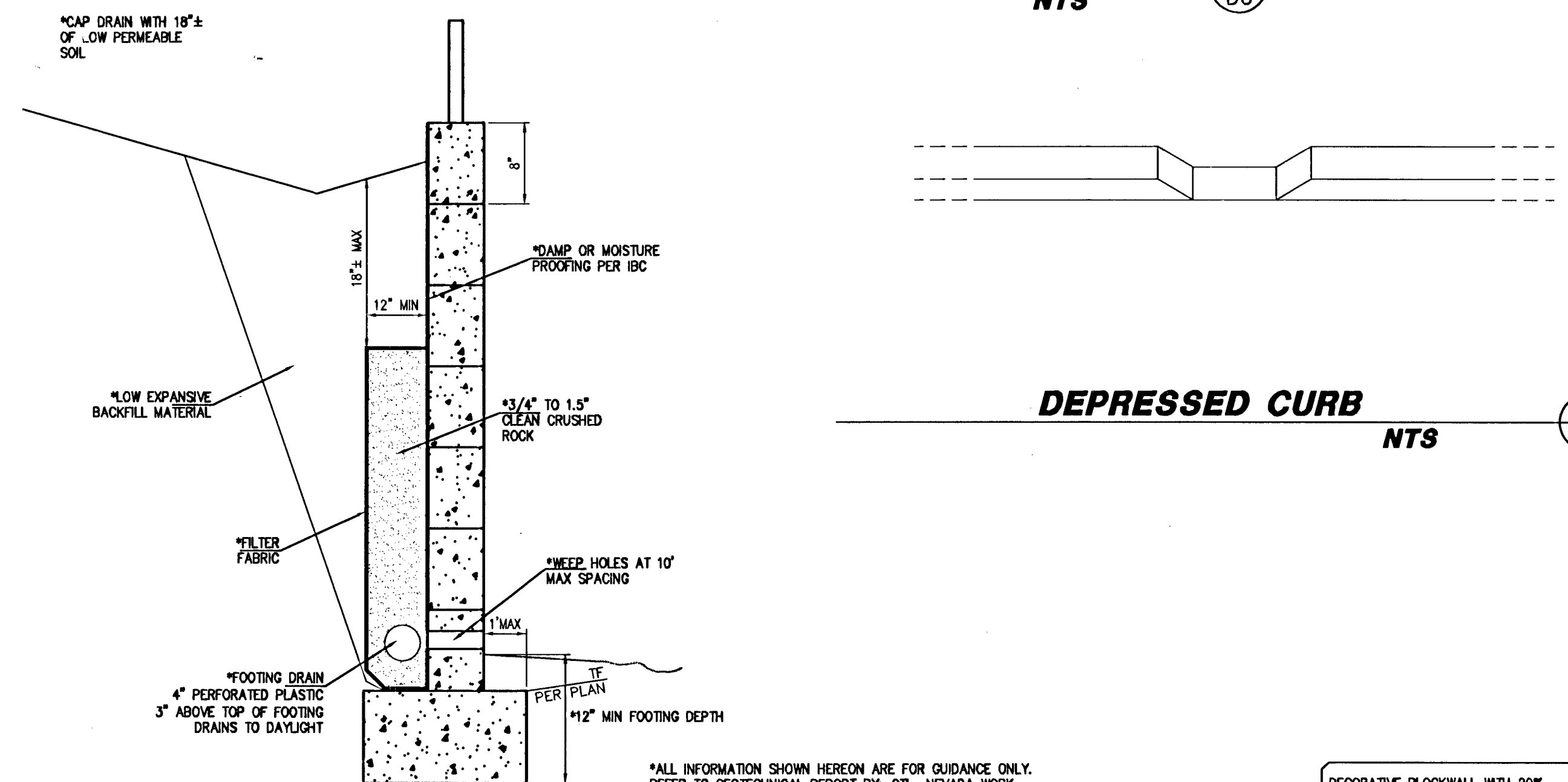
*ALL INFORMATION SHOWN HEREON ARE FOR GUIDANCE ONLY. REFER TO GEOTECHNICAL REPORT BY: GTI- NEVADA WORK ORDER NO. 7752-LV8



WEST PERIMETER CHANNEL

NTS

Z1
D6

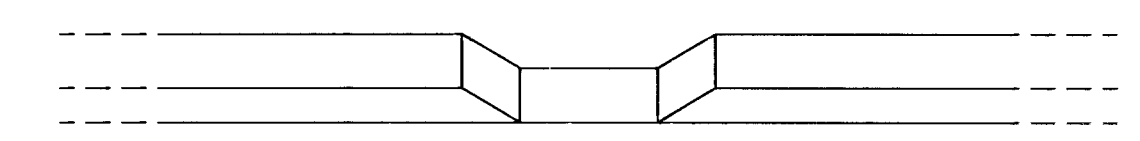


WALL BACKFILL AND DRAINAGE DETAILS

NTS

Z4
D6

*ALL INFORMATION SHOWN HEREON ARE FOR GUIDANCE ONLY. REFER TO GEOTECHNICAL REPORT BY: GTI- NEVADA WORK ORDER NO. 7752-LV8



DEPRESSED CURB

NTS

Z7
D6

DECORATIVE BLOCKWALL WITH 20% CONTRASTING MATERIAL AND CAP.

NOTE (ALL RETAINING WALLS): THE EXPOSED SURFACE OF THE RETAINING WALL SHALL NOT EXCEED 12'-0", PER VAR-23524.

Stantec Consulting Inc.
7251 West Charleston Boulevard
Las Vegas, NV 89117
Tel. 702.258.0115
Fax. 702.258.4956
www.stantec.com



The Contractor shall verify and be responsible for all dimensions. Do NOT work the drawing - only work the field. Copyrights to all drawings and drawings are the property of Stantec. No part of this drawing may be reproduced without the written authorization of Stantec. It is forbidden.

Revised channel section to include type II CB

Revision	By	App'd.	Date
1	CB	CB	8/12/14

Client/Project: FAIRFIELD CENTENNIAL, LLC

CENTENNIAL CONDOMINIUMS
CITY OF LAS VEGAS, NV

Title: GRADING DETAILS

Permit-Seal



1126647

Project Number: 188100435
File Name: 00435c-501gdet.dwg

CHN	CHKD	DSGN	DATE
EA/BZ	SA/RZ	EA/BZ	5/7/2008

Drawing No. D6
CLV# 107Y4967
Revision Sheet

C:\p\188100435\loc_development\Drawings\Improvements\00435c-501gdet.dwg
 2/10/2008 11:31 AM

111178 112674