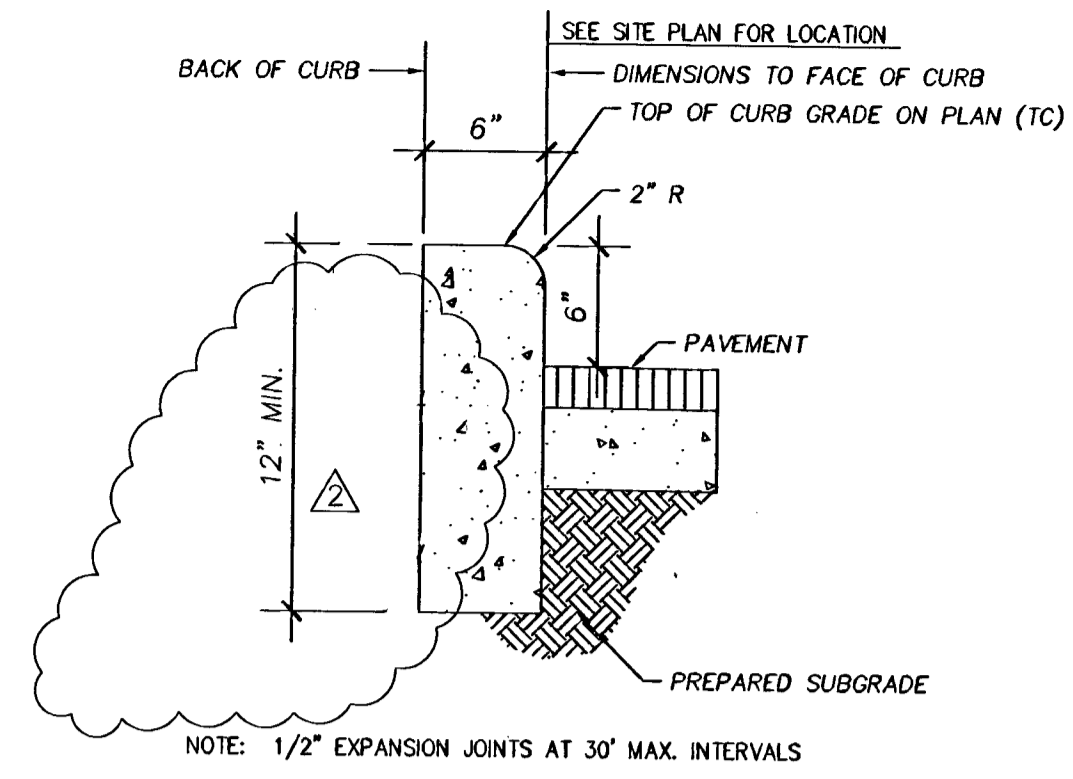
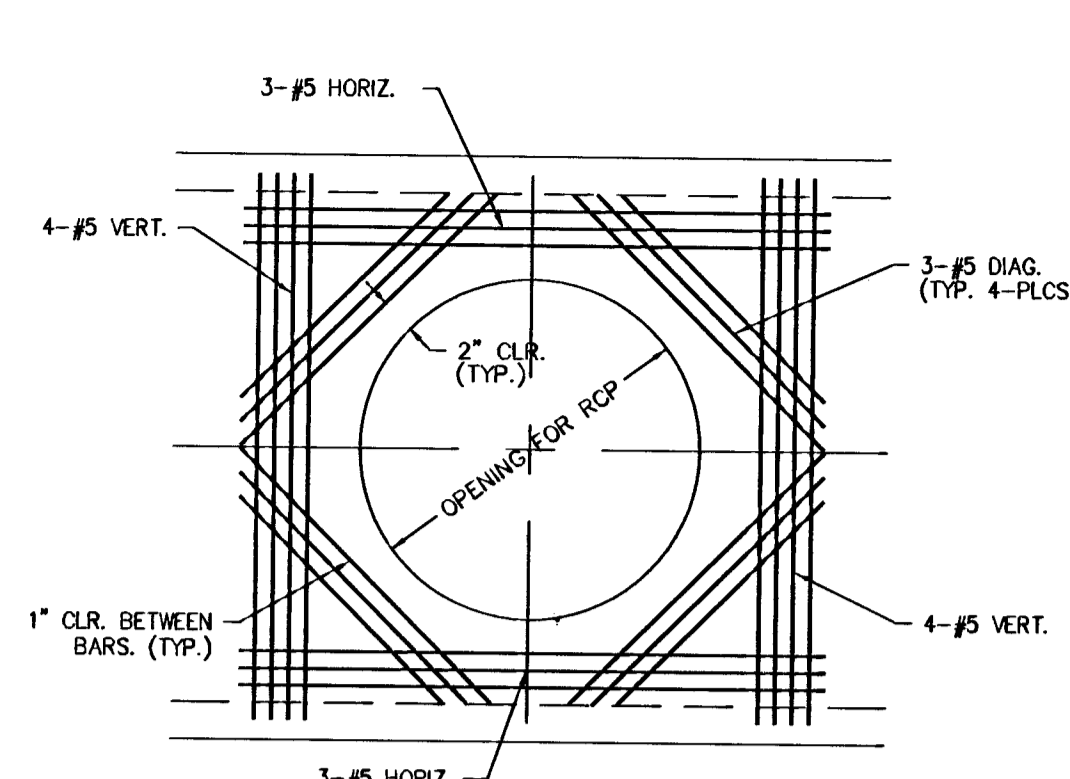


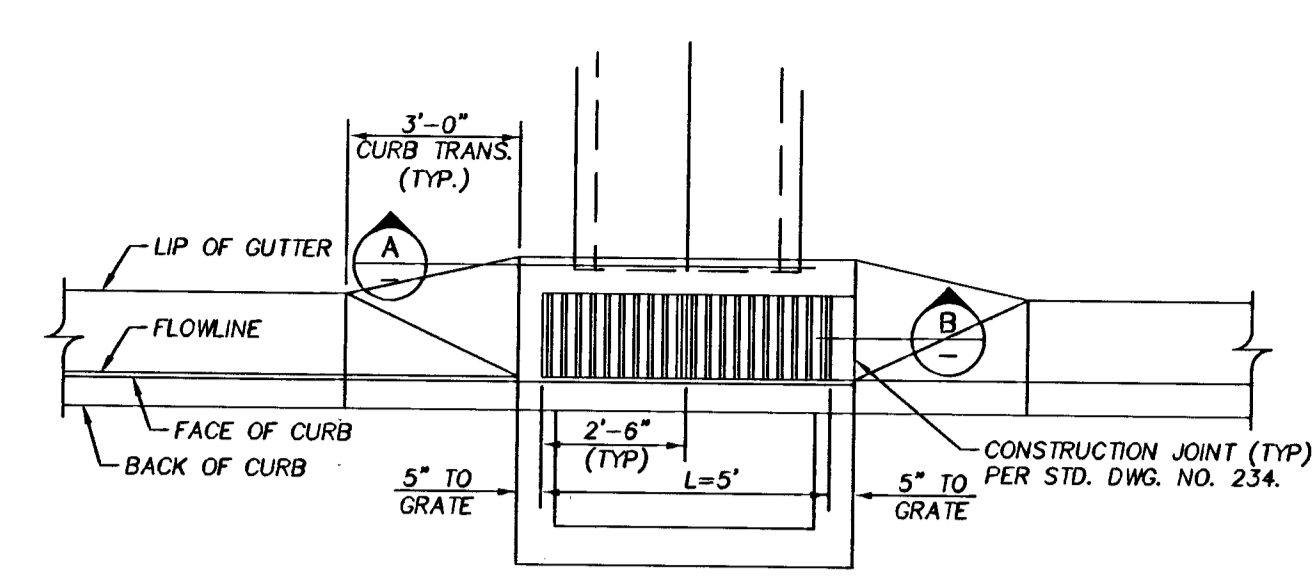
1 CURB AND GUTTER (ON-SITE ONLY)
NOT TO SCALE



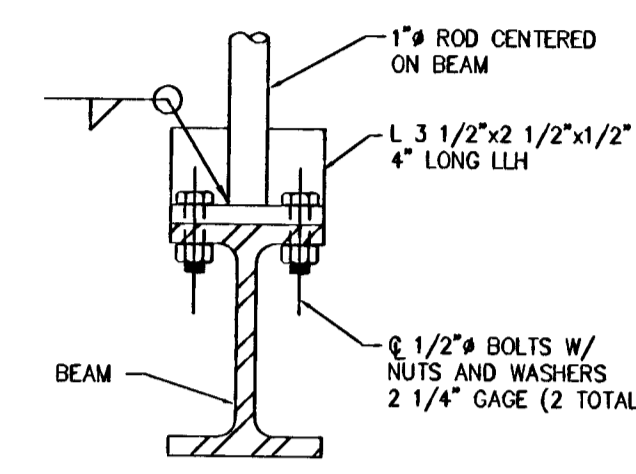
2 VERTICAL CURB (ON-SITE)
NOT TO SCALE



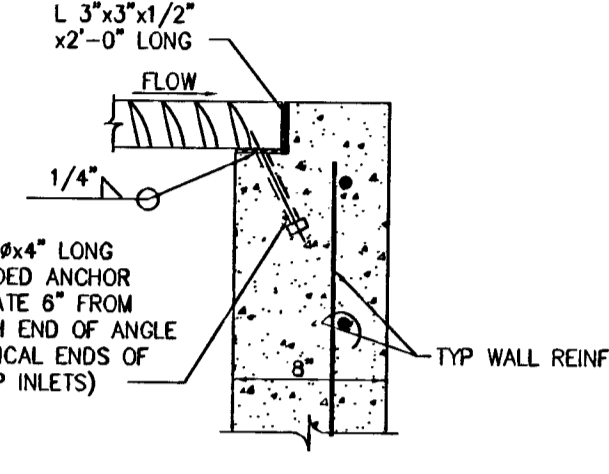
SECTION "A"
NOT TO SCALE



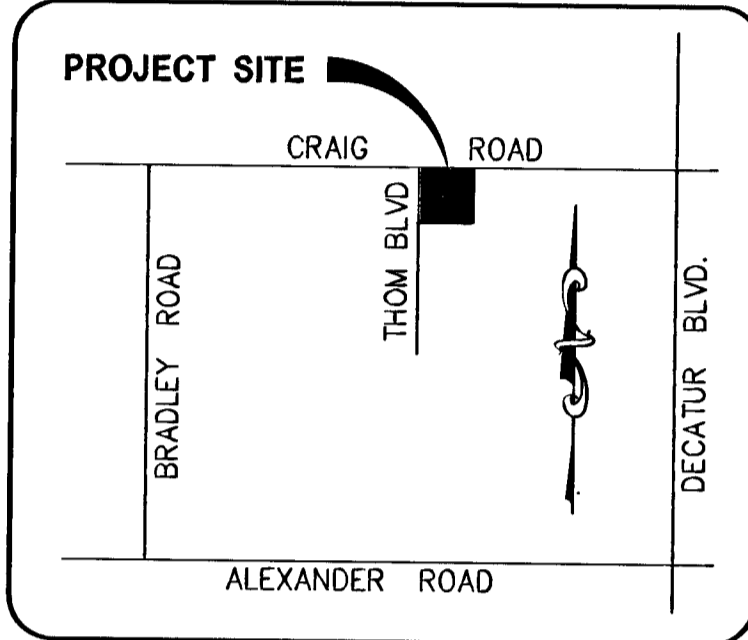
DROP INLET LAYOUT PLAN
NOT TO SCALE



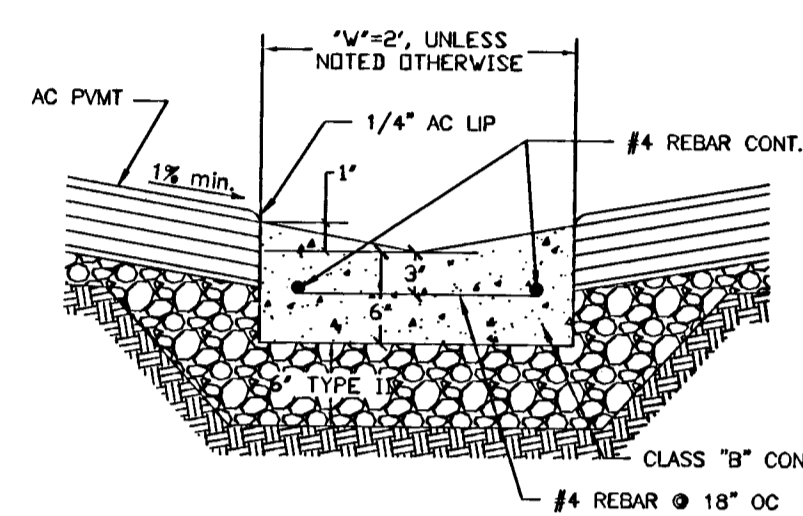
DETAIL "B"
NOT TO SCALE



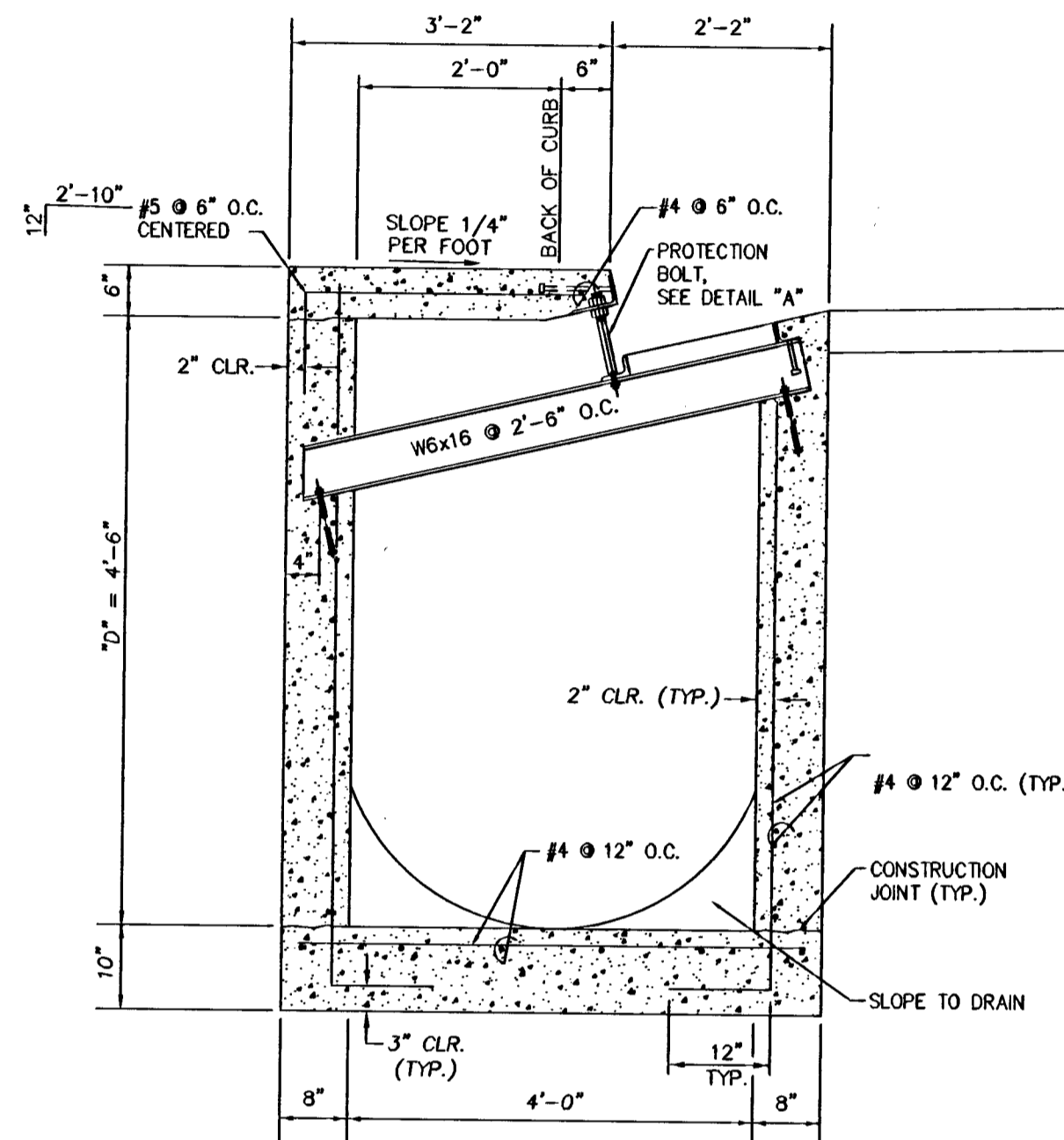
SECTION "B"
NOT TO SCALE



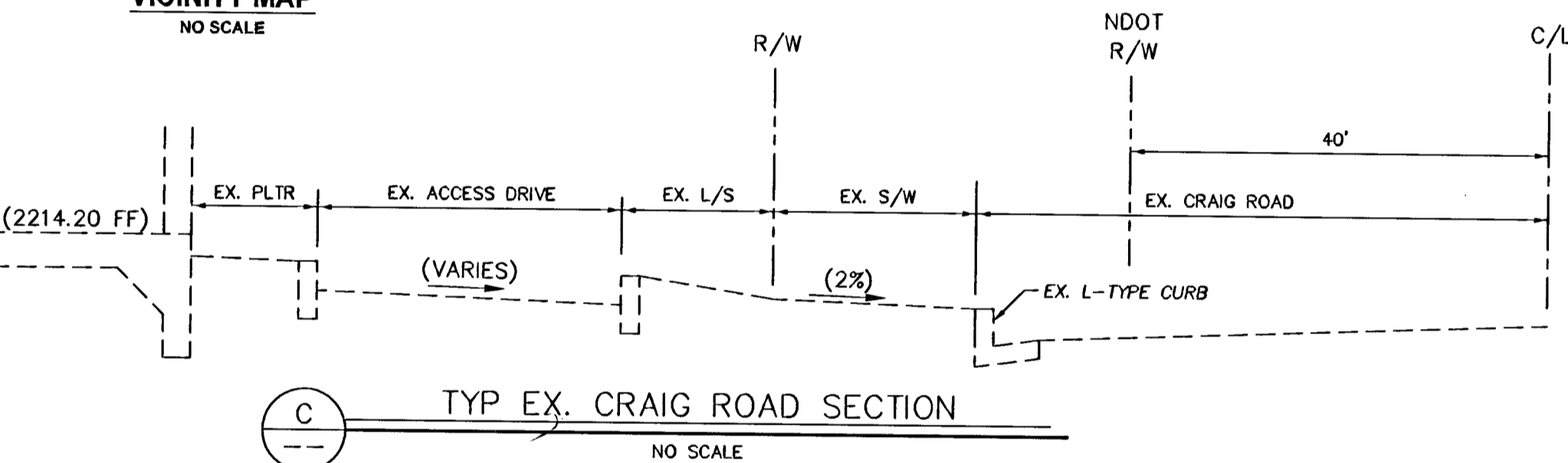
VICINITY MAP
NO SCALE



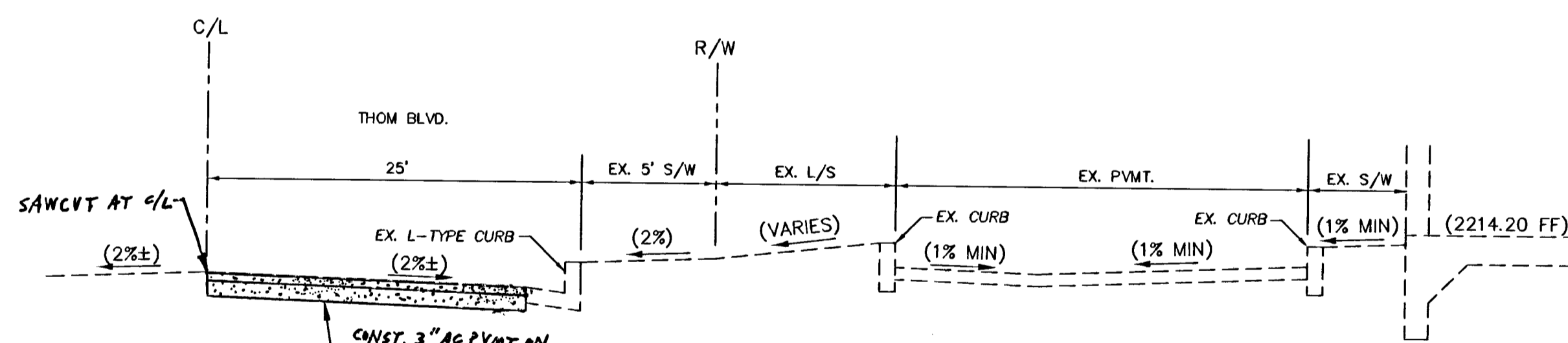
7 VALLEY GUTTER (ON-SITE ONLY)
NOT TO SCALE



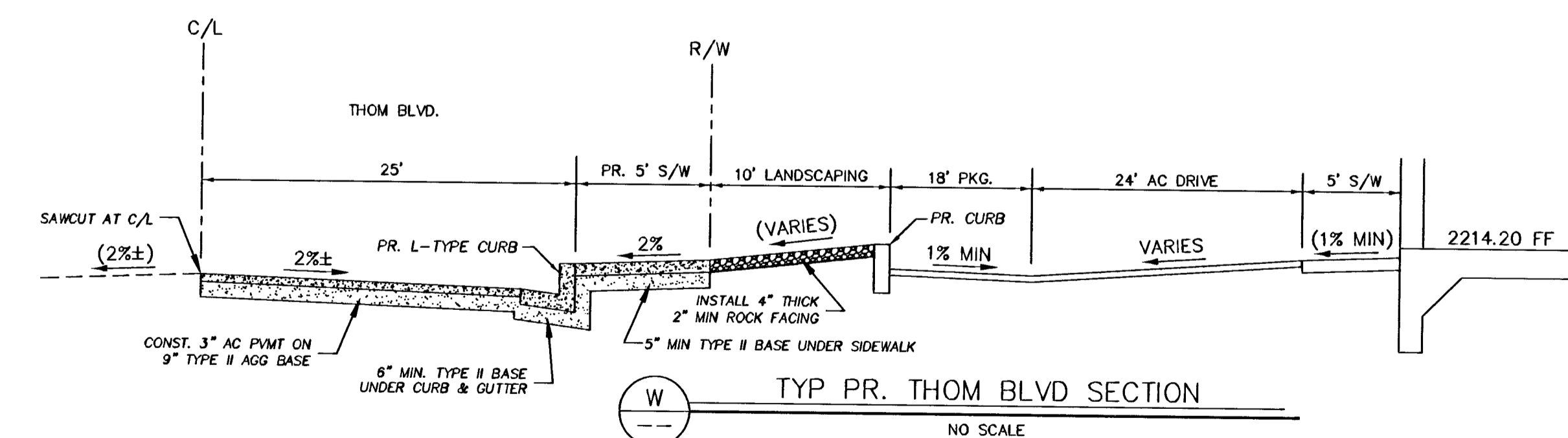
TYPE "CM" DROP INLET SECTION
NOT TO SCALE



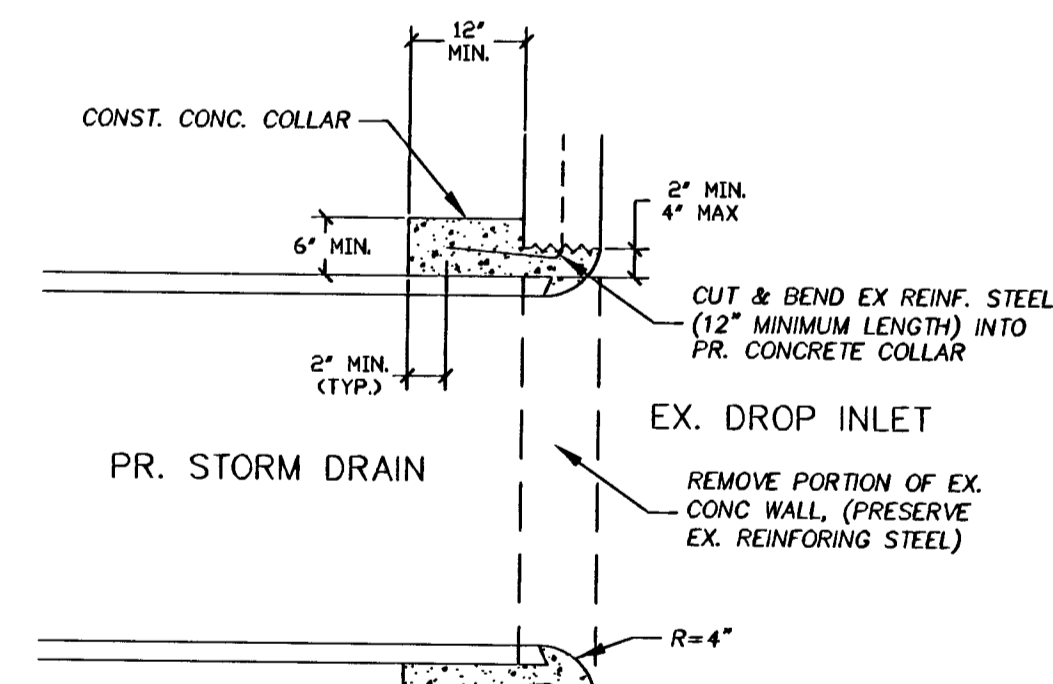
TYP EX. CRAIG ROAD SECTION
NO SCALE



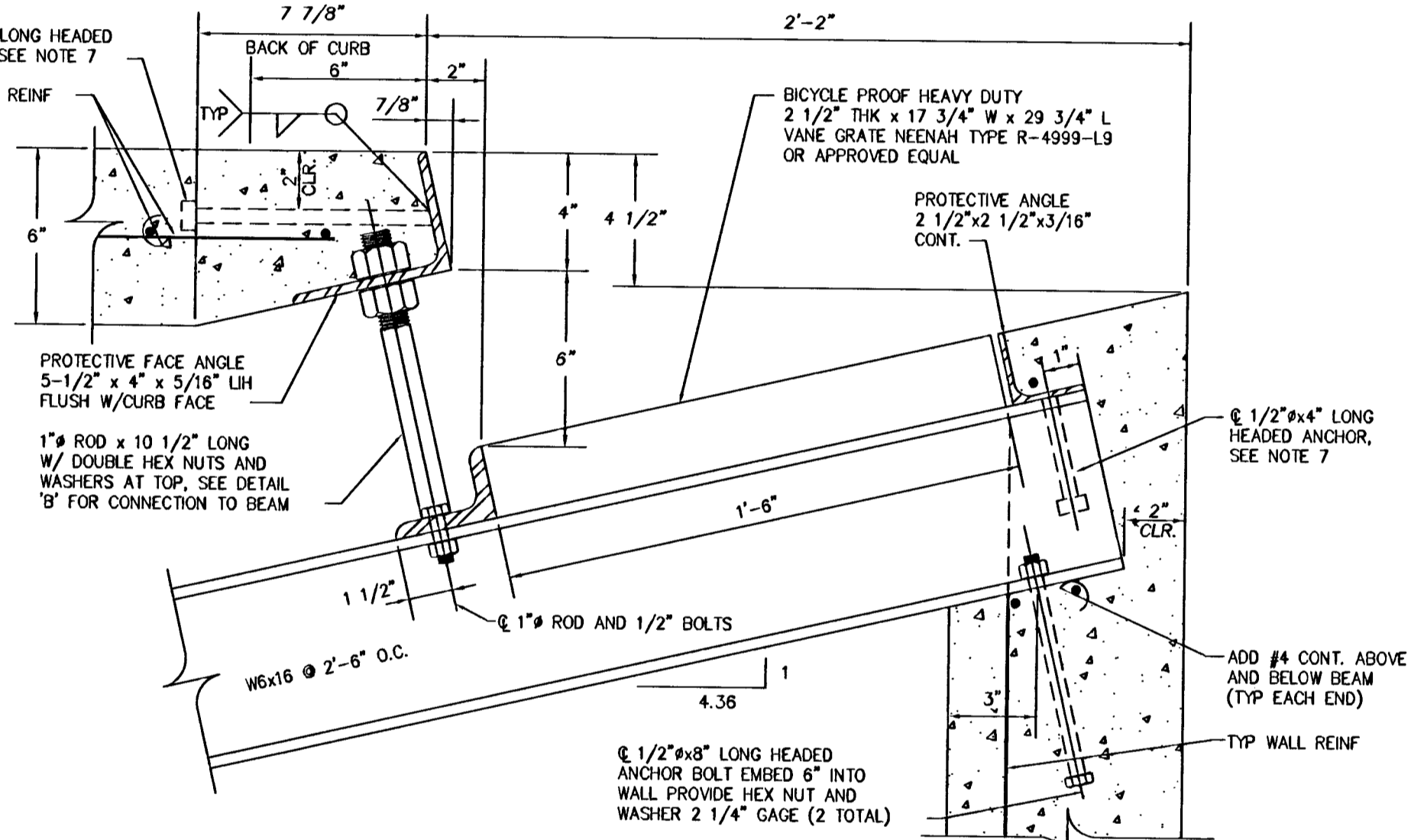
TYP EX. THOM BLVD. SECTION
NO SCALE



TYP PR. THOM BLVD SECTION
NO SCALE



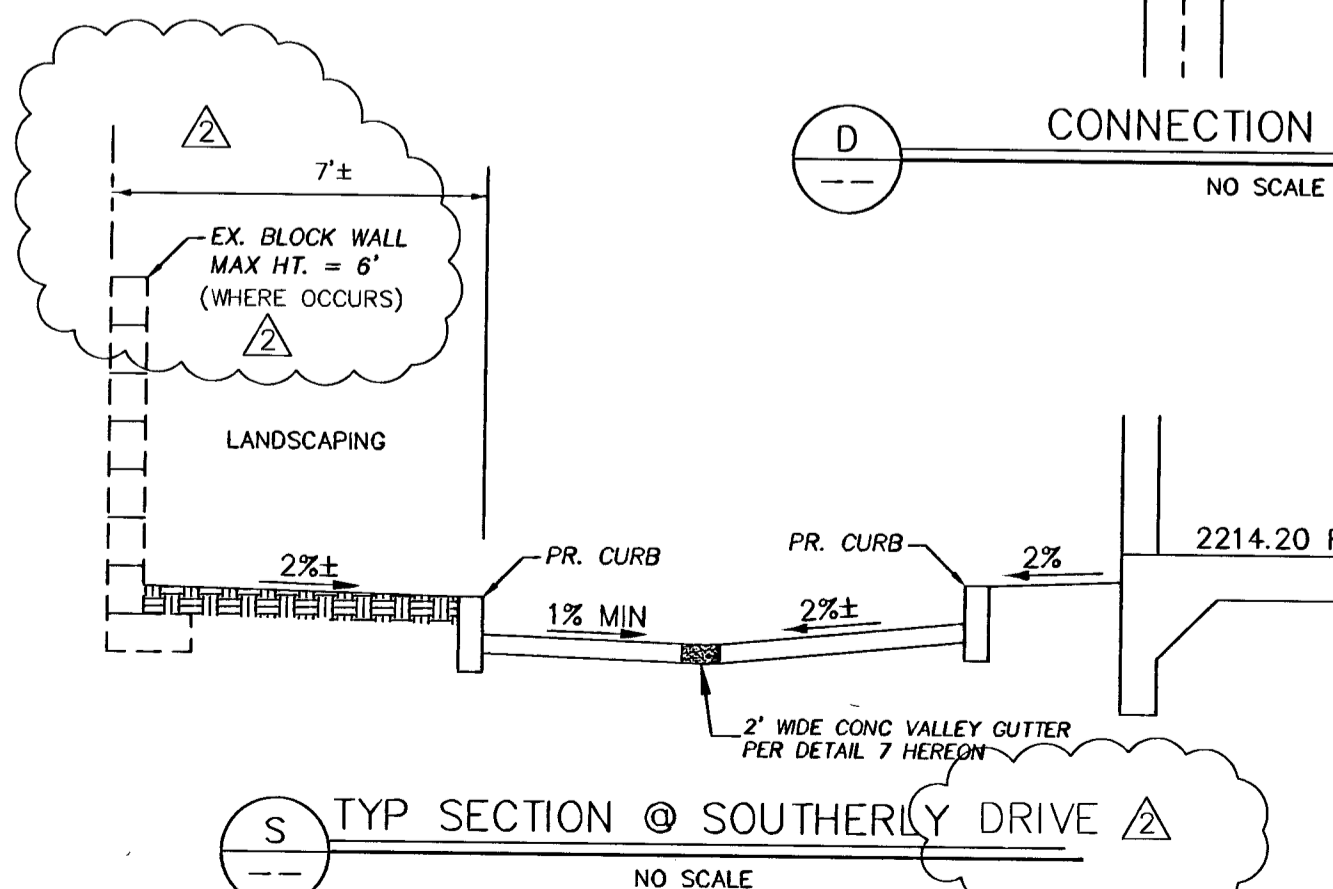
CONNECTION DETAIL
NO SCALE



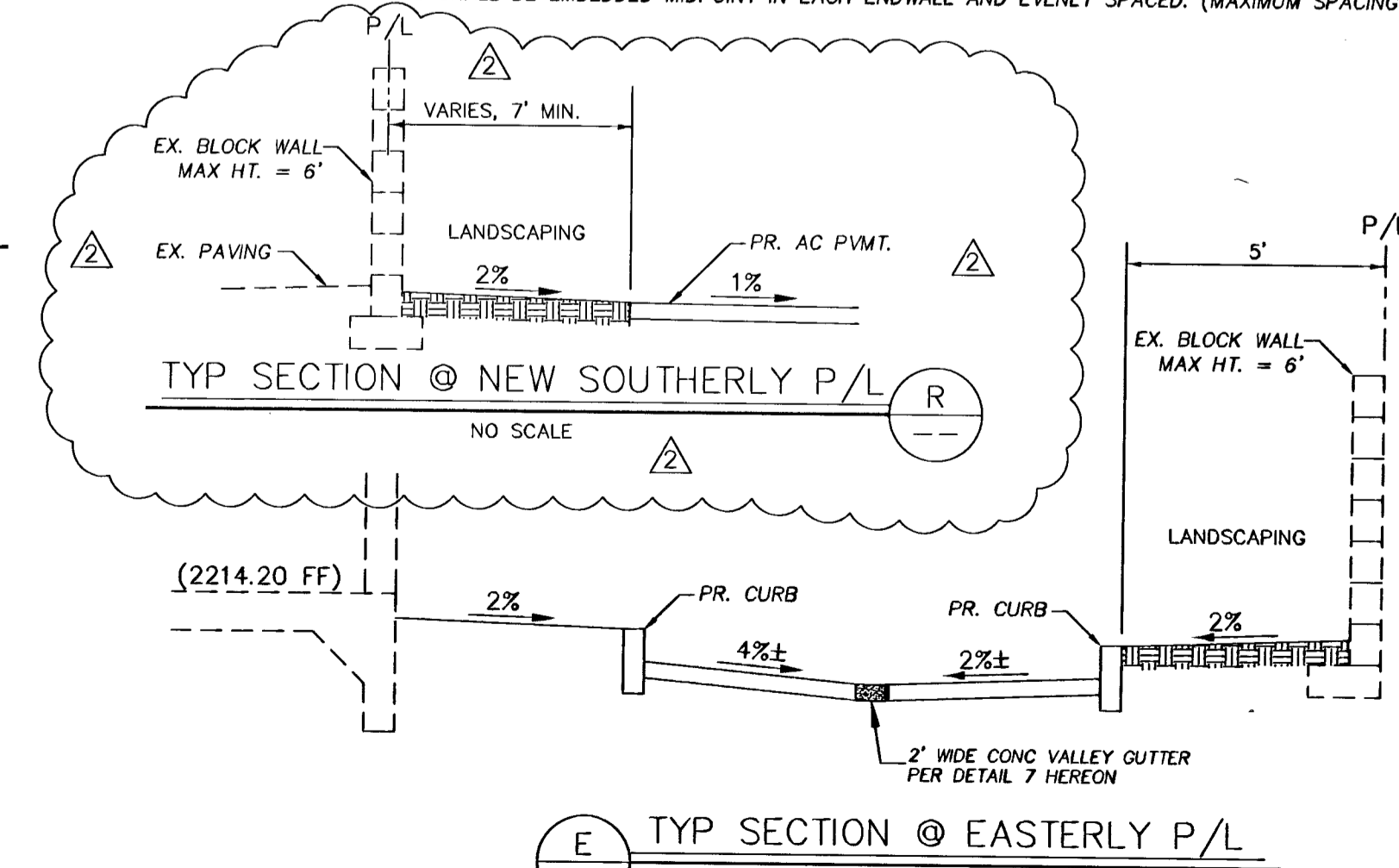
PROTECTIVE FACE & ROD - DETAIL "A"
NOT TO SCALE

NOTES:

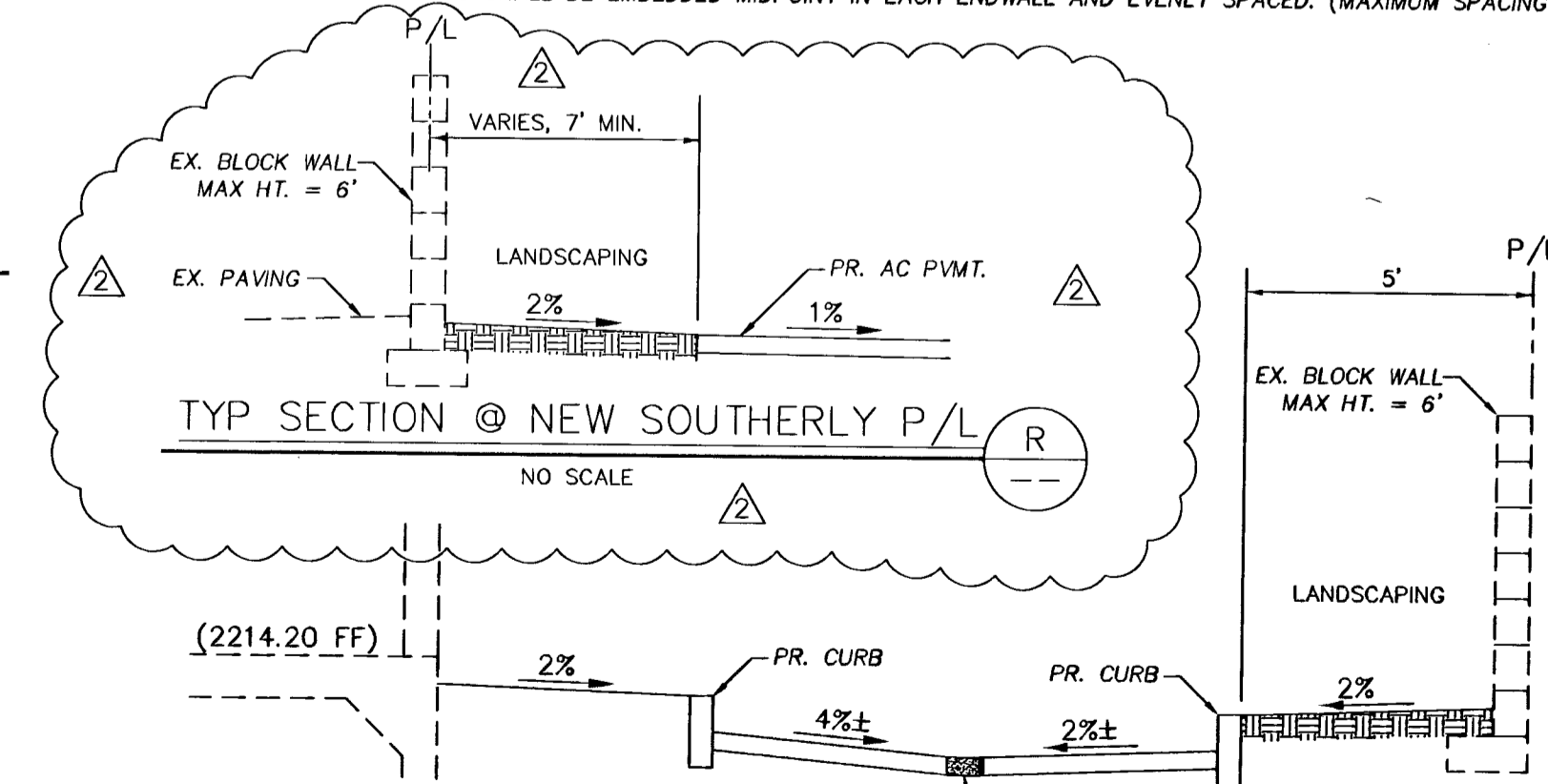
1. ALL EXPOSED METALS SHALL BE HOT DIP GALVANIZED AFTER FABRICATION.
2. PROVIDE 1/2" (MIN.) CLEARANCE ALL AROUND THE STEEL BEAM. DRY PACK AFTER INSTALLATION.
3. WHEN REQUIRED BY LENGTH OF OPENING, PLATE ANGLE MAY BE DELIVERED IN SECTIONS AND BUTT WELDED IN PLACE.
4. ALL GALVANIZING DAMAGED BY WELDING SHALL RECEIVE TWO COATS OF GALVALLOY OR EQUAL.
5. CONCRETE SHALL BE MODIFIED CLASS DA. SEE SPECIAL PROVISIONS SECTION 501.
6. ANGLE ANCHORS SHALL BE EMBEDDED MIDPOINT IN EACH ENDWALL AND EVENLY SPACED. (MAXIMUM SPACING OF 2')



TYP SECTION @ SOUTHERLY DRIVE
NO SCALE



TYP SECTION @ NEW SOUTHERLY P/L
NO SCALE



TYP SECTION @ EASTERLY P/L
NO SCALE

Call Before You Dig
1-800-227-2600
1-702-455-7511
1-702-229-6611
105546

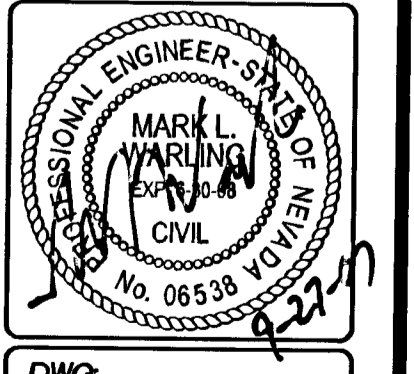
Call Before You Dig
1-800-227-2600
1-702-227-2929

| | |
|-------------|---------------------------------------|
| DATE | 10/5/78 |
| REVISION | REV. DETAIL '2' & '5', ADD DETAIL 'R' |
| BY | M.W. |
| CHECKED BY | |
| APPROVED BY | |

MARK WARLING
DRAWN BY

GRADING DETAILS
CRAIG ROAD ANIMAL HOSPITAL
5051 W. CRAIG ROAD
DR. KURT & DEBORAH MYCHAJLONKA
CITY OF LAS VEGAS, NEVADA

WARLING ENGINEERING
MARK WARLING, PE
901 W. SAVANNA AVE. #405-LB
LAS VEGAS, NV 89107
PH # (702) 869-6275 • FAX (702) 869-6275
EMAIL: CNL@COQUET



DWG: 107N2382-EXP
DATE: SEPT., 2007
SHEET C5 OF 6