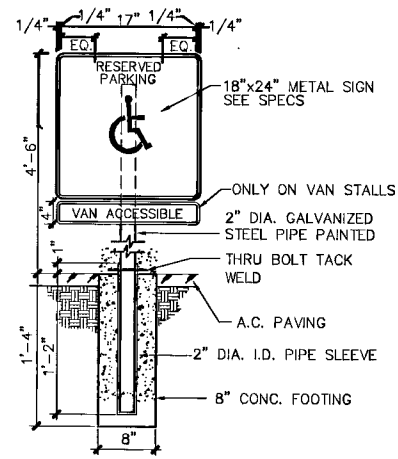
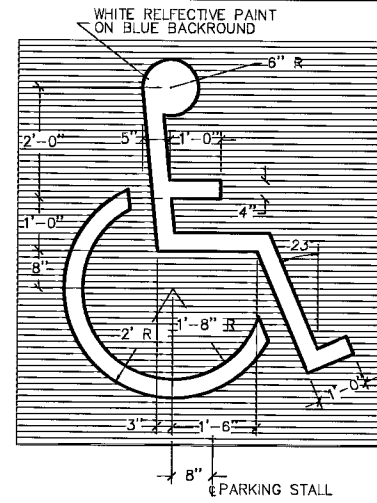


HANDICAP RAMP NOTES:

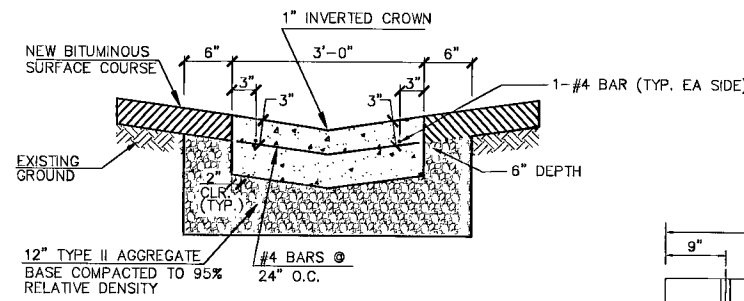
1. SIDEWALK RAMP WITHIN CURB RETURN SHALL BE LOCATED AT THE MIDPOINT OF CURB RETURN UNLESS OTHERWISE APPROVED.
2. RAMP SHALL BE CONSTRUCTED WITH A ROUGH BROOM FINISH TRANSVERSE TO THE SLOPE OF THE RAMP.
3. WHEN CONSTRUCTING RAMP WHERE CURB & GUTTER EXISTS, COMPLETELY REMOVE INTERFERING PORTIONS OF EXISTING CURB & GUTTER.
4. AN OPTIONAL DETECTABLE WARNING CONSISTING OF RAISED TRUNCATED DOMES WITH A DIAMETER OF NOMINAL 0.9 IN., A HEIGHT OF NOMINAL 0.2 IN. AND A CENTER-TO-CENTER SPACING OF NOMINAL 2.35 IN. AND CONTRASTING VISUALLY WITH ADJOINING SURFACES MAY BE PLACED ON RAMP EXTENDING THE FULL WIDTH AND DEPTH OF THE RAMP.



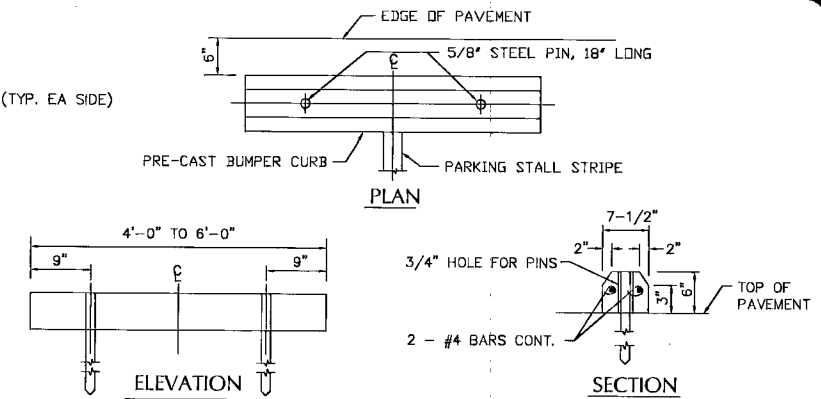
HANDICAP PARKING SIGN



HANDICAP PAVEMENT MARKING



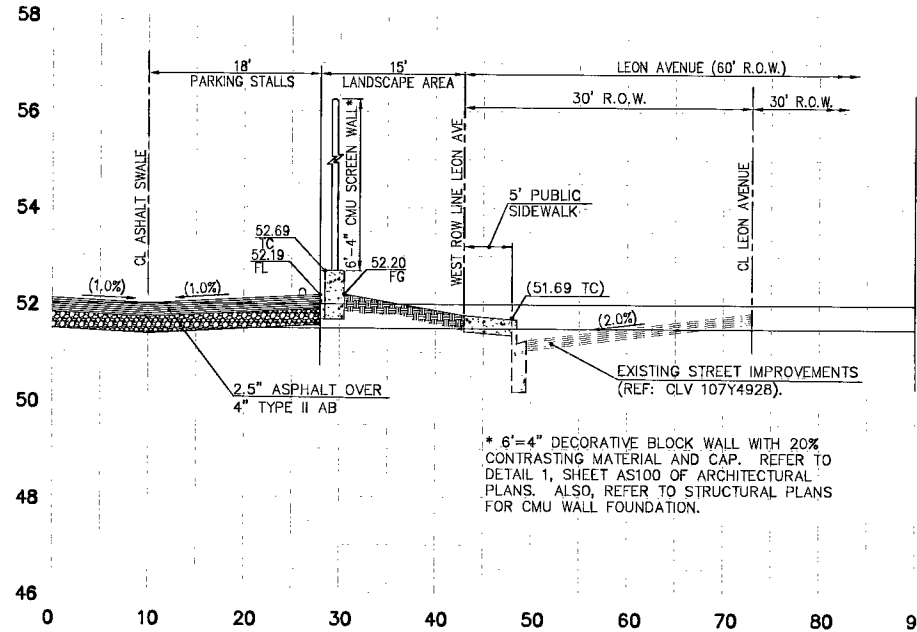
3' VALLEY GUTTER
NTS (ON-SITE ONLY)



PRECAST CONCRETE BUMPER DETAIL
NTS

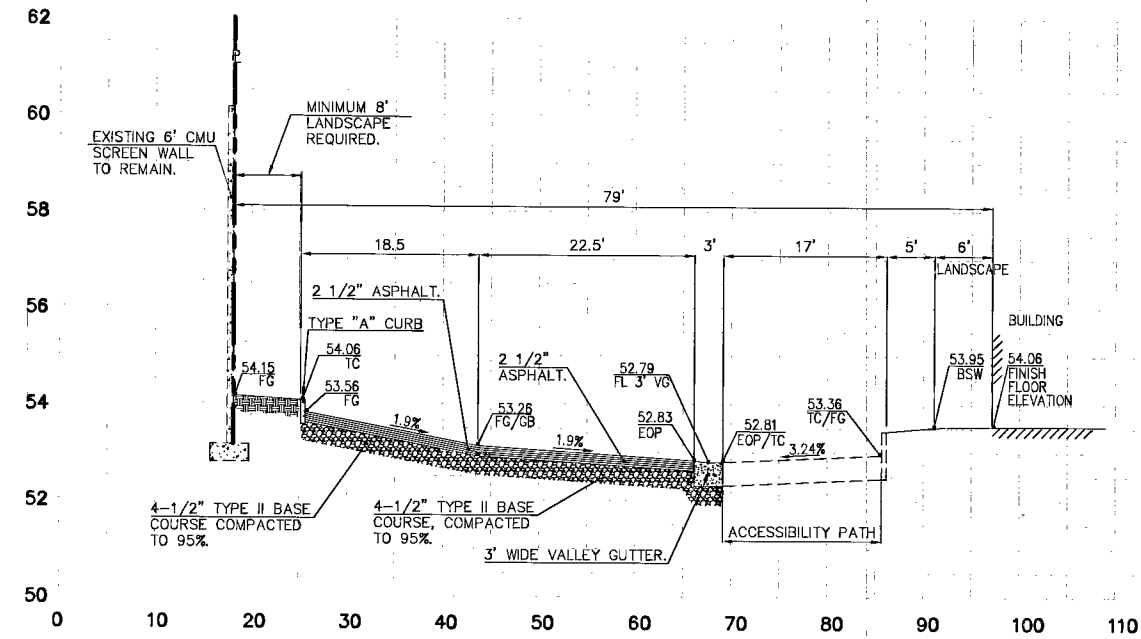
HANDICAP PARKING SIGN AND PAVEMENT MARKING DETAIL

NTS



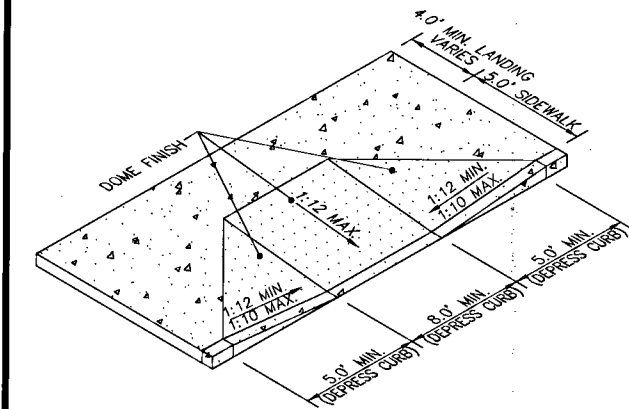
TYPICAL CROSS-SECTION

SCALE: 1" = 10' HORIZONTAL
1" = 2' VERTICAL



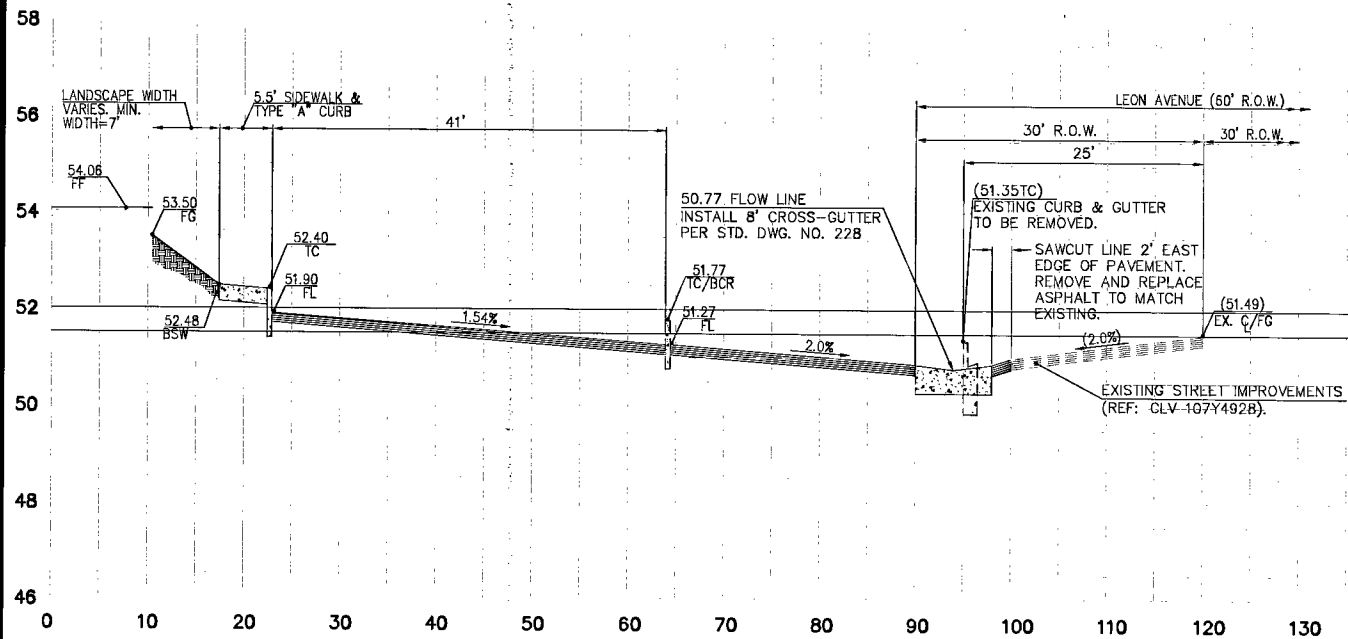
CROSS-SECTION SOUTH SIDE OF BUILDING
THROUGH HANDICAP PARKING & ACCESSIBILITY PATH

SCALE: 1" = 10' HORIZONTAL
1" = 2' VERTICAL



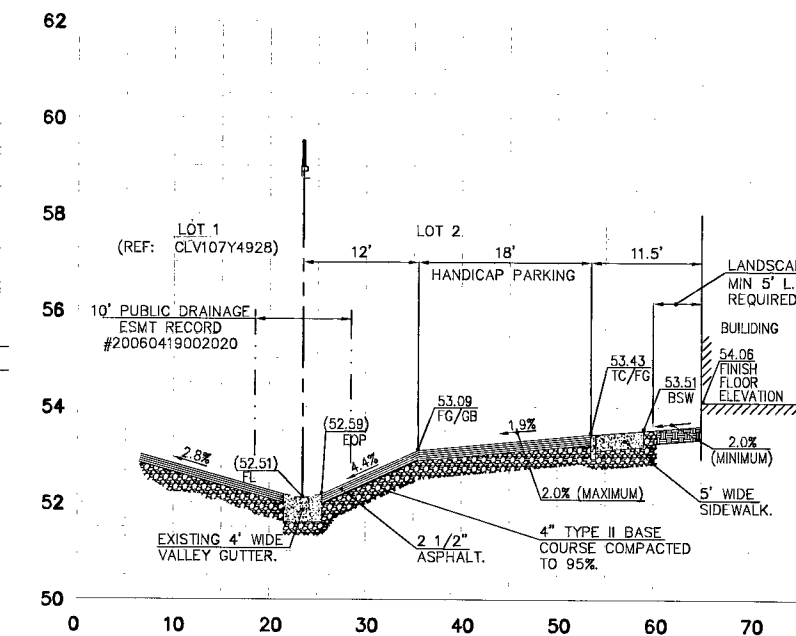
ON-SITE HANDICAP RAMP

NTS



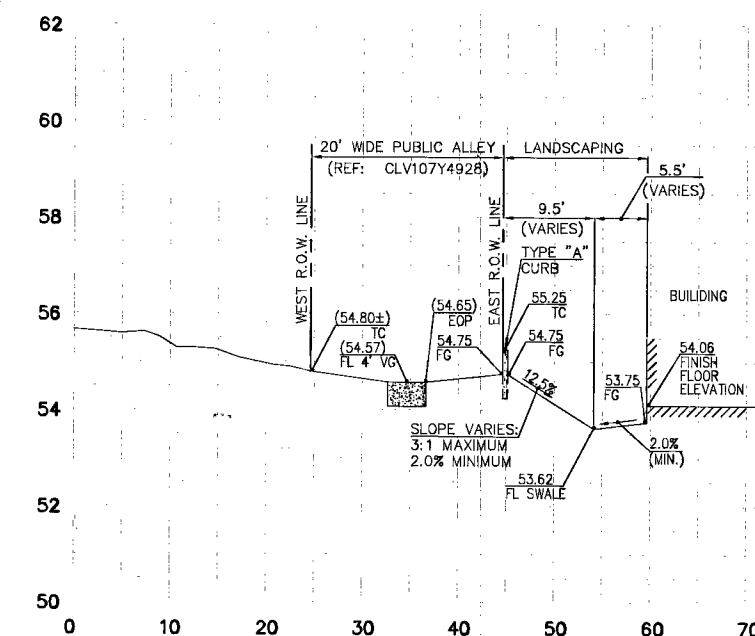
CROSS-SECTION THROUGH DRIVEWAY
ADJACENT TO LEON DRIVE

SCALE: 1" = 10' HORIZONTAL
1" = 2' VERTICAL



CROSS-SECTION THROUGH HANDICAP
PARKING SPACE

SCALE: 1" = 10' HORIZONTAL
1" = 2' VERTICAL



TYPICAL CROSS-SECTION
THROUGH WEST SIDE OF BUILDING

SCALE: 1" = 10' HORIZONTAL
1" = 2' VERTICAL

NO.	DESCRIPTION	DATE

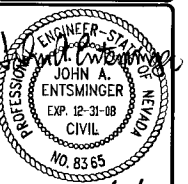
SCALE (H):	N/A
DESIGNED BY:	J. ENTSMINGER, P.E.
DRAWN BY:	D. BUTZ
CHECKED BY:	J. ENTSMINGER, P.E.

**ALEXANDER-LEON
BUSINESS PARK II**

DETAIL SHEET I

CITY OF LAS VEGAS

HORIZON ENGINEERING
9901 COVINGTON CROSS DRIVE,
SUITE 120
LAS VEGAS, NEVADA 89144
PHONE (702) 228-5066
FAX (702) 228-0677
WWW.HORIZONSURVEYS.COM



JOB NO: E854.001
DATE: 08/29/07

C8.01

SHEET 8 OF 8

CLW# 107Y4928-2

P:\CIVIL\Projects\854-001\DWG\854-001-C8.01-Detail_Sheet_I.dwg, 8/29/07 2:16:09 PM, JAB