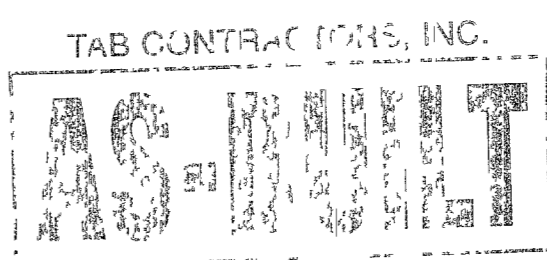


**INTERSECTION GRADING PLAN
ALEXANDER RD. - RANCHO DR.**

93402

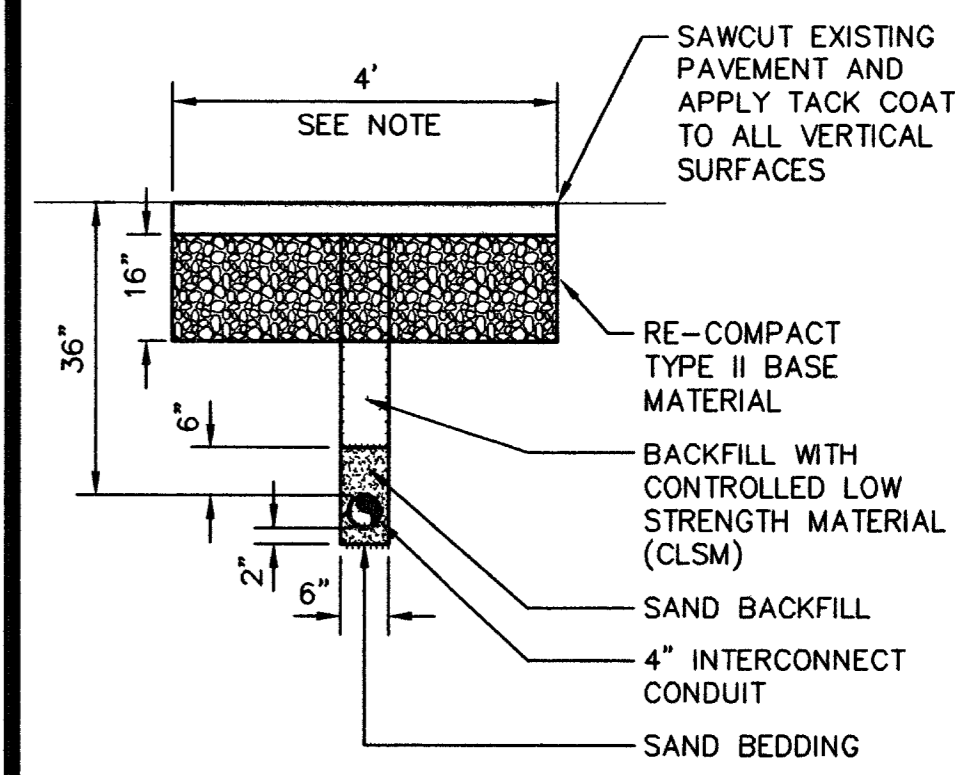


JONES BLVD.



Stantec Consulting Inc.
6763 W Charleston Blvd
Las Vegas NV U.S.A.
89146-1049
Tel 702.258.0115
Fax 702.258.4956
www.stantec.com

- NOTES:
- SEE SHEET R-7 AND E-2 FOR ADDITIONAL CONSTRUCTION ITEMS
 - EXISTING POLE TO REMAIN, ONLY IMPROVEMENTS ARE STREETLIGHT CIRCUIT.
 - ALL WORK W/IN NDOT R/W SHALL COMPLY W/NDOT STDS.
 - SW RAMP SHALL BE NDOT TYPE D DWG R-5.2.2
TRANSITION LENGTH
A = 8'0"
B = 6' MIN.

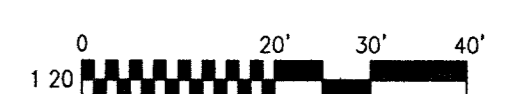


NOTE
DEPTH TO MATCH EXISTING AC PAVEMENT, BUT NOT LESS THAN 4", PLACED IN MULTIPLE LIFTS OF EQUAL THICKNESS, LESS THAN OR EQUAL TO 3".

1 CONDUIT TRENCH SECTION
SCALE: 1" = 2'

POINT	STATION	OFFSET
20030	146+50	-42
20031	146+00	-42
20032	145+50	-42
20033	146+50	-7
20034	146+50	0
20035	146+00	-7
20036	146+00	0
20037	145+50	-7
20038	145+50	0
20039	147+00	-42
20040	147+00	0
*20041	10+88.89	-59
20042	147+00	43
20043	146+50	43
20044	146+00	43
20045	145+50	43

* BASED ON STATIONING ALONG RANCHO DRIVE



Call before you OVERHEAD
1-702-593-6111

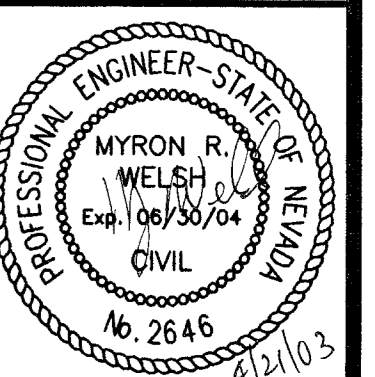
Call before you Dig
1-800-227-2600

REVISIONS

NO.	DATE	DESCRIPTION	APP'D.

DEPARTMENT OF PUBLIC WORKS
ENGINEERING DESIGN SECTION
CITY ENGINEER: CHARLES KAIKOWSKI JR., P.E.
DESIGNED BY: JO DD
DRAWN BY: DD
CHECKED BY: MW
HORIZONTAL SCALE: AS SHOWN
VERTICAL SCALE: NONE
DATE: 08/20/02

ALEXANDER ROAD
US 95 TO RANCHO DRIVE
INTERSECTION GRADING PLAN - 2



Sheet
R-9
17 of 35
DRAWING NO.
107-V3634