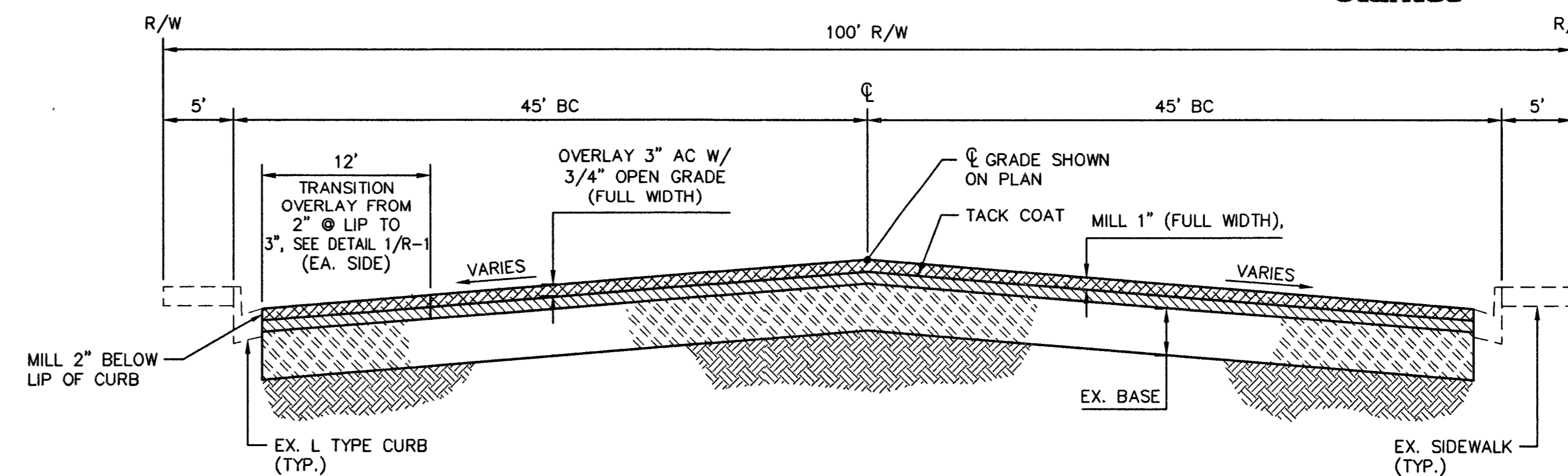




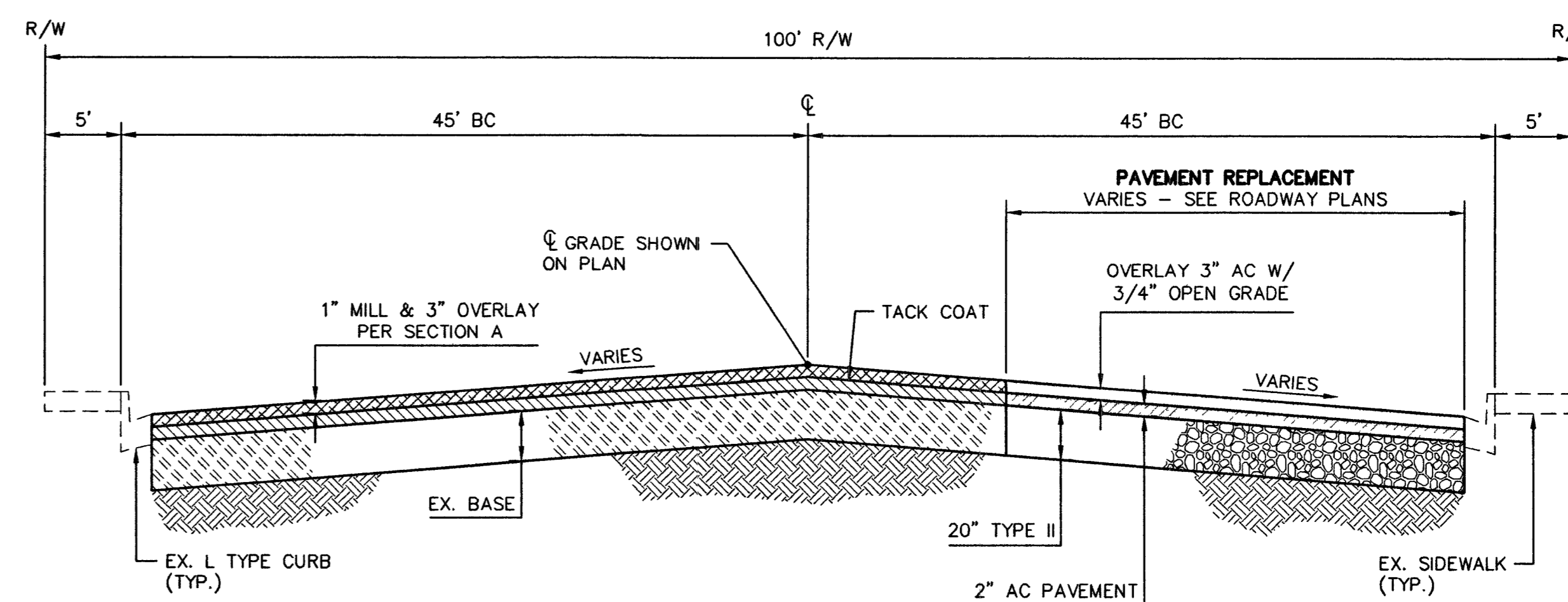
Stantec Consulting Inc.
6763 W Charleston Blvd
Las Vegas NV U.S.A.
89146-1049
Tel. 702.258.0115
Fax. 702.258.4956
www.stantec.com

NO.	DATE	DESCRIPTION



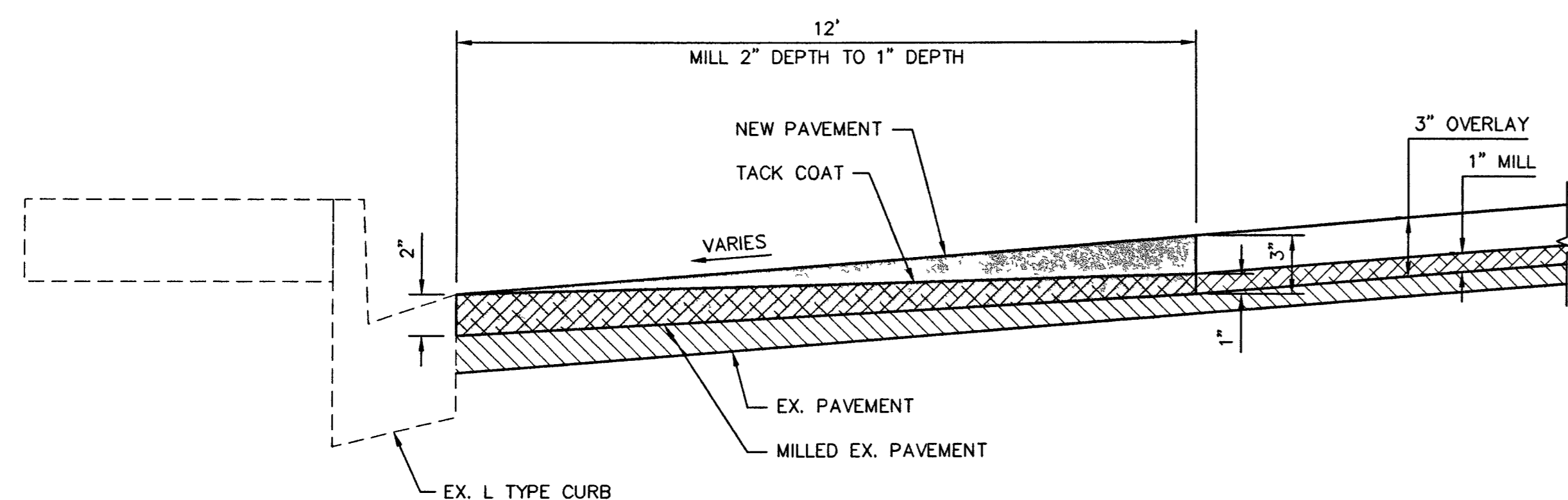
NOTE:
SEE DRAWING U-8 FOR TRENCH SECTION.

A TYPICAL ROADWAY OVERLAY
R-1 NOT TO SCALE



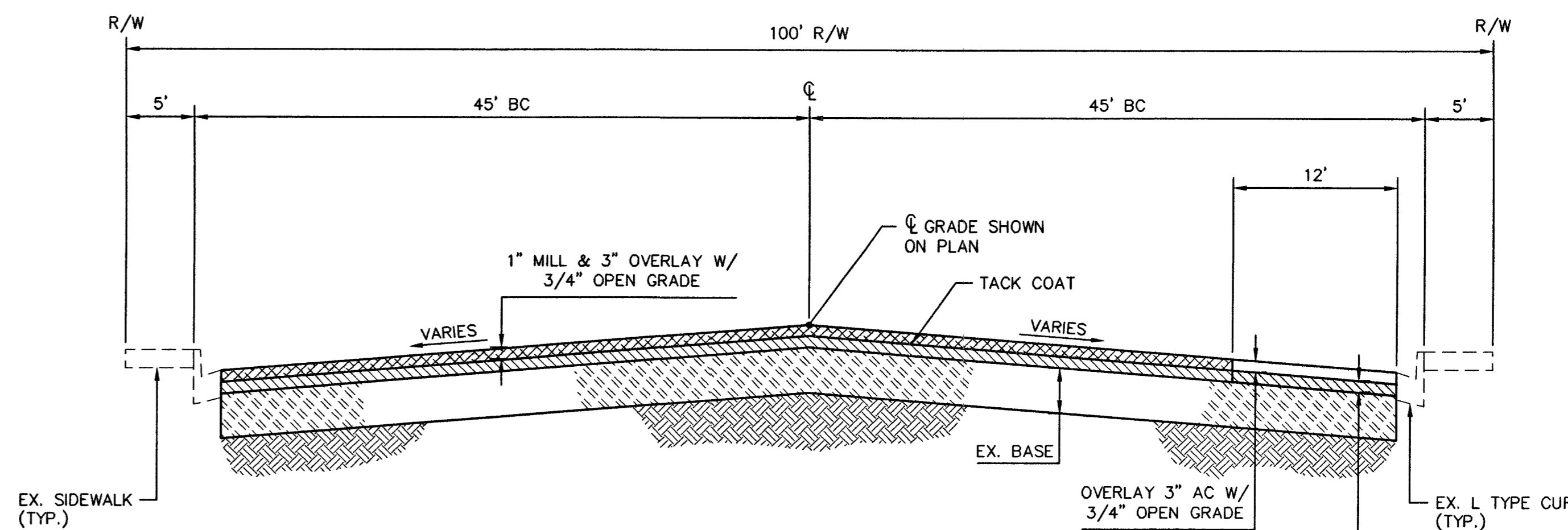
NOTE:
SEE DRAWING U-8 FOR TRENCH SECTION.

B TYPICAL ROADWAY REPLACEMENT
R-1 NOT TO SCALE



1 TRANSITION OVERLAY DETAIL
R-1 NOT TO SCALE

NOTE:
WHERE EX. PAVEMENT SECTION IS LESS THAN 4\"/>



NOTE:
SEE DRAWING U-8 FOR TRENCH SECTION.

C TYPICAL ROADWAY OVERLAY WHERE EX. AC IS LESS THAN 4\"/>

AS-BUILT

DEPARTMENT OF PUBLIC WORKS
ENGINEERING DESIGN SECTION
CITY ENGINEER: CHARLES KAIKOWSKI JR., P.E.
DESIGNED BY: J.O.DD
DRAWN BY: DD
CHECKED BY: MW
HORIZONTAL SCALE: AS SHOWN
VERTICAL SCALE: NONE
DATE: 06/11/02

TITLE: ALEXANDER ROAD
US 95 TO RANCHO DRIVE
SHEET: TYPICAL ROADWAY SECTIONS

PROFESSIONAL ENGINEER-STATE OF NEVADA
MYRON R. WELSH
Exp. 06/30/04
No. 2646
4/14/03

Sheet
R-1
9 of 35
DRAWING NO.
107-V3634