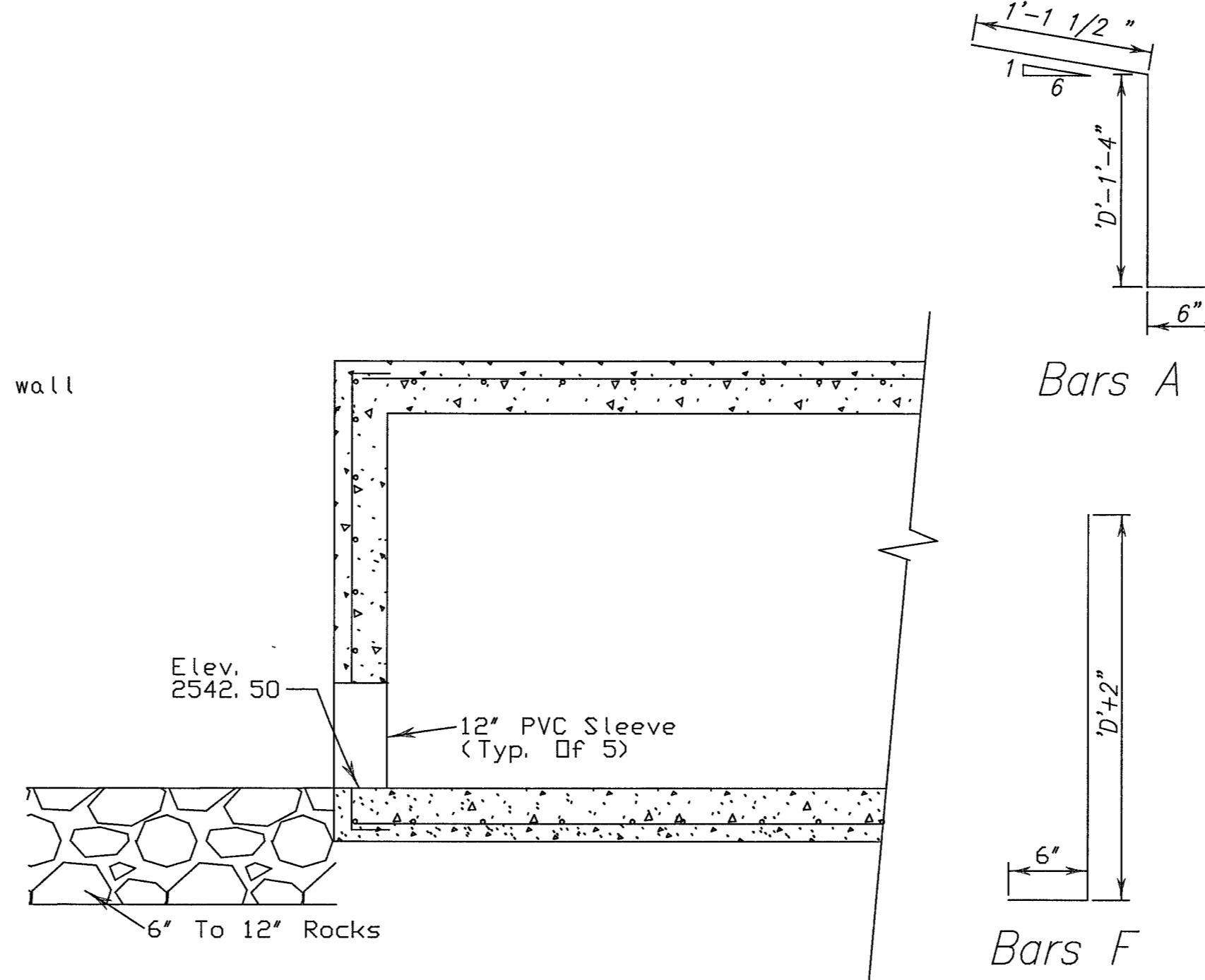


SECTION A-A



SECTION B-B

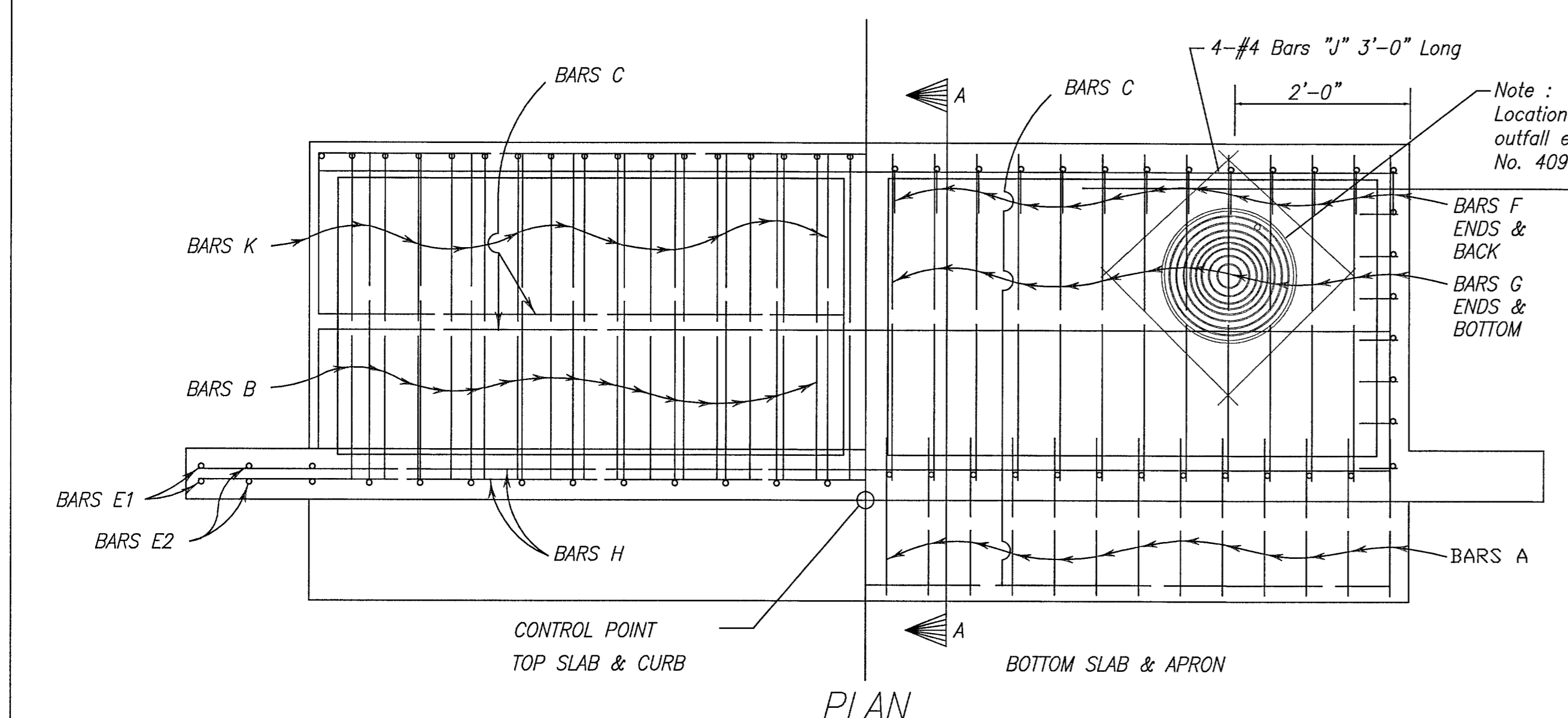
BILL OF REINFORCING STEEL & QUANTITIES

10' Channel Inlet D = 4.5'												
Bars	A	B	C	D	E1	E2	F	G	H	K	-	-
Number	18	18	21	8	4	4	32	30	4	12	-	-
Size	#4	#4	#4	#4	#4	#4	#4	#4	#4	#4	-	-
Spacing	7.52"	7.52"	-	1.33"	-	-	7.52"	7.52"	-	7"	-	-
Length	4.8'	6.5'	10.6'	4'	2.3'	3.33'	5.17'	4.66'	14.7'	7.7'	-	-
Weight	57	77	150	22	7	9	110	95	40	62	-	-
Totals	Steel = 626 LBS. Conc. = 4.97 C.Y.											

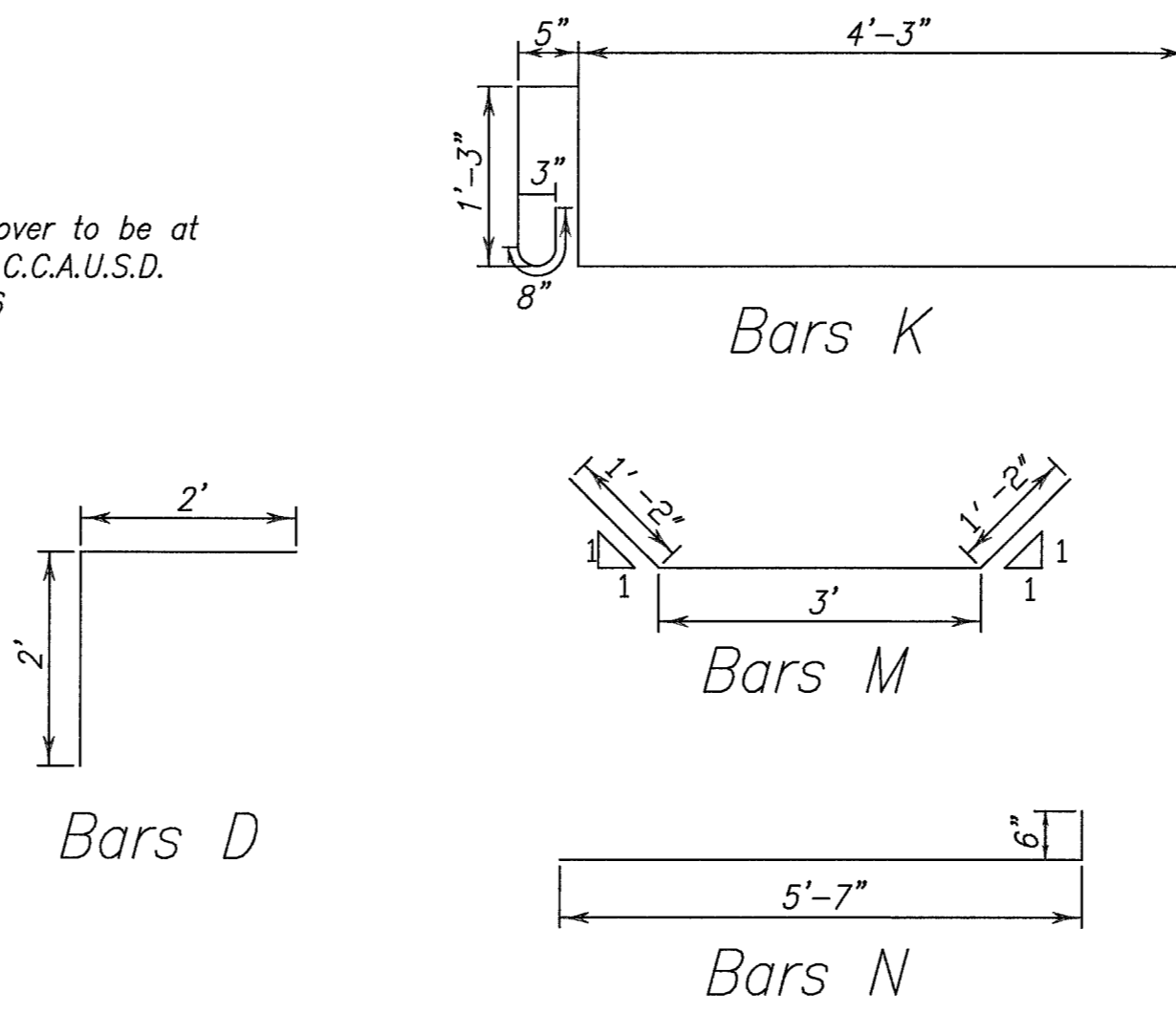
20' Channel Inlet D = 4.5'												
Bars	A	B	C	D	E1	E2	F	G	H	K	M	N
Number	34	34	21	8	4	4	48	46	4	22	2	2
Size	#4	#4	#4	#4	#4	#4	#4	#4	#4	#4	#4	#4
Spacing	7.52"	7.52"	-	1.33"	-	-	7.52"	7.52"	-	7"	-	-
Length	4.8'	6.5'	20.6'	4'	2.3'	3.33'	5.17'	4.66'	24.6'	7.7'	5.33'	6.08'
Weight	108	148	291	22	7	9	165	143	66	112	7	9
Totals	Steel = 1087 LBS. Conc. = 8.89 C.Y.											

TOTAL AMOUNT OF CONCRETE & STEEL FOR ADDITIONAL DEPTHS					
10' INLET			20' INLET		
DEPTH	CONC.(CY)	STEEL(LBS)	DEPTH	CONC.(CY)	STEEL(LBS)
5'	5.26	644	5'	9.27	1113
5.5'	5.56	681	5.5'	9.74	1175
6'	5.85	721	6'	10.2	1239
6.5'	6.12	758	6.5'	10.66	1298

MAXIMUM DEPTH = 10'-0"



PLAN

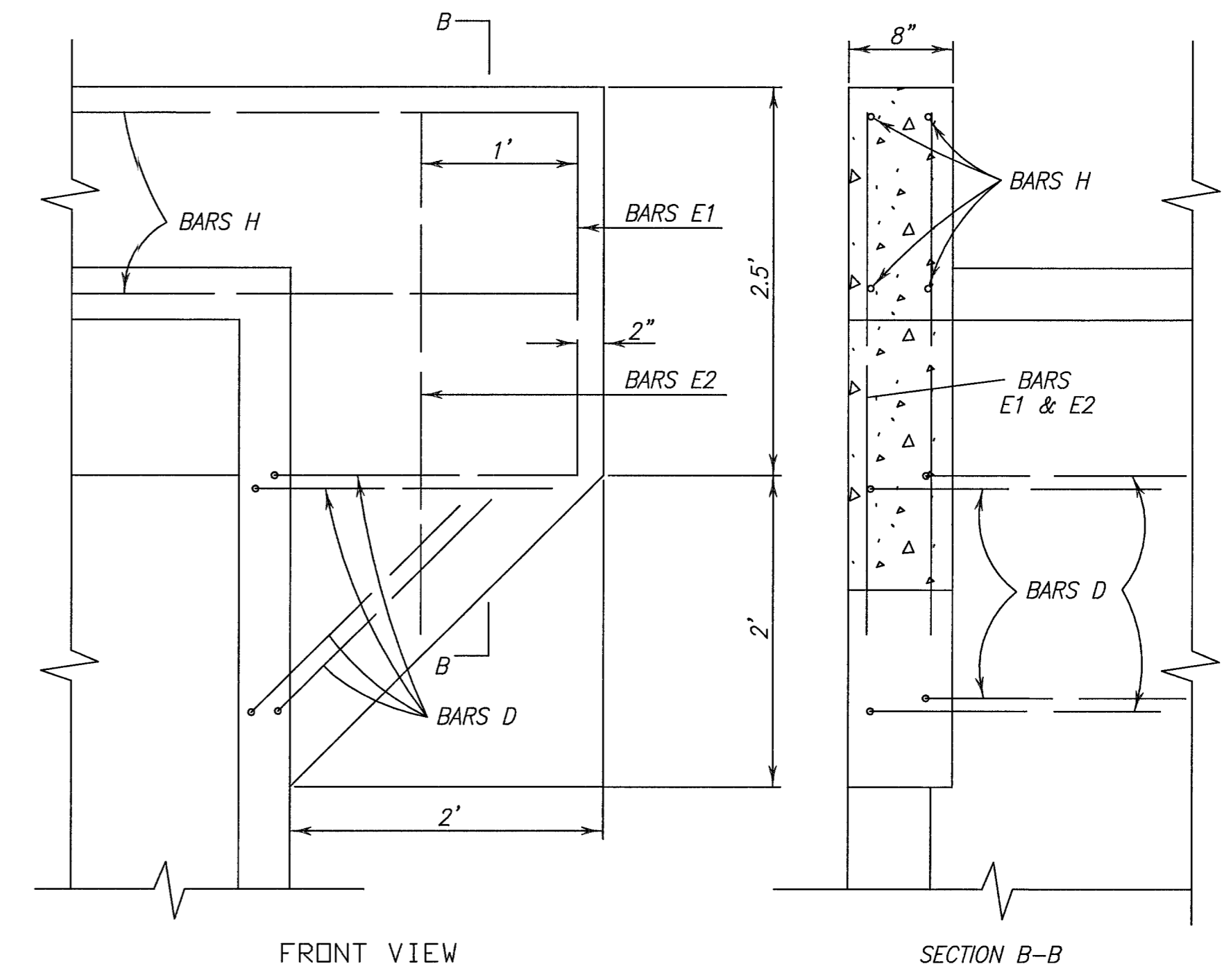


Bars D

Bars K

Bars M

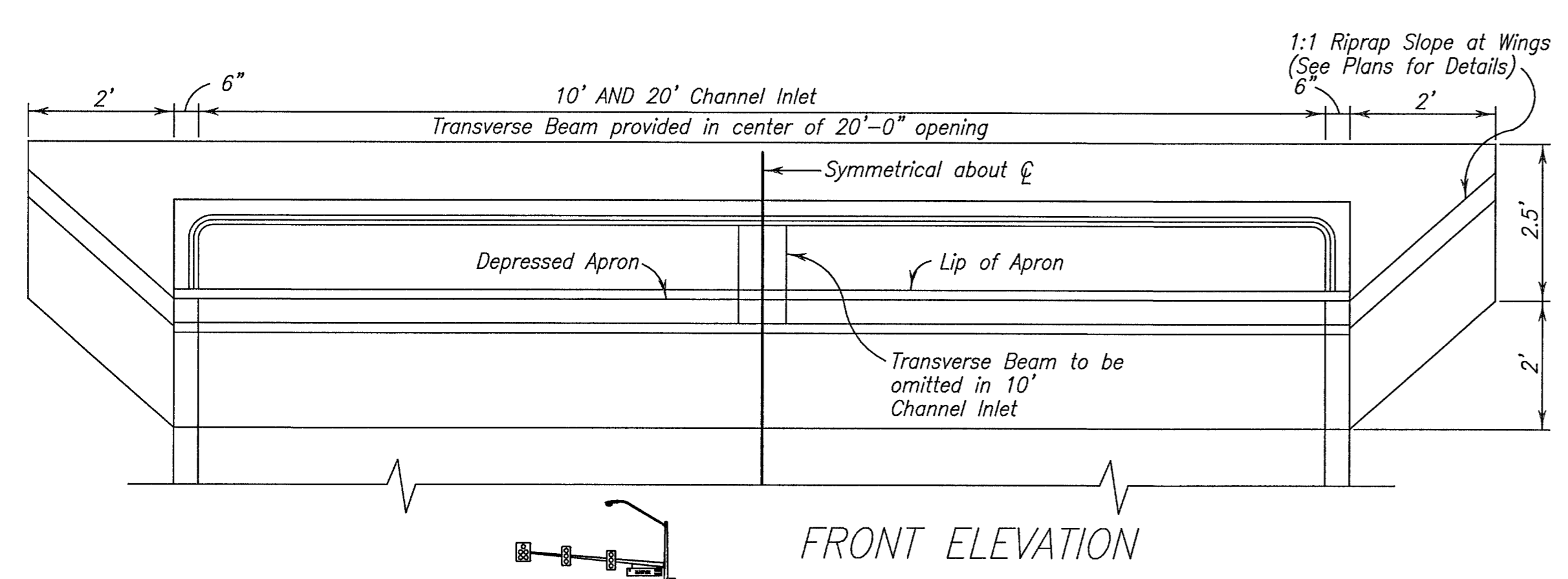
Bars N



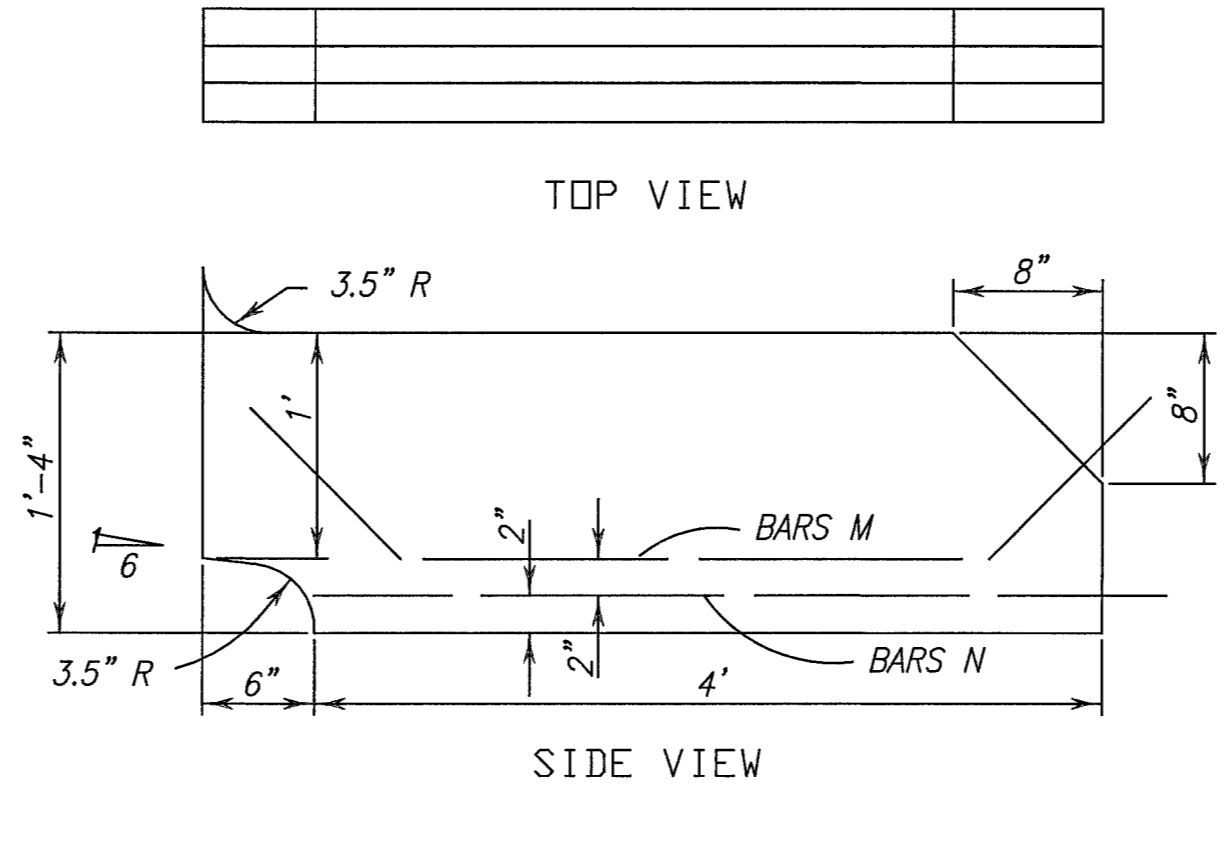
FRONT VIEW

SECTION B-B

WING SECTION



FRONT ELEVATION



TOP VIEW

SIDE VIEW

END VIEW

TRANSVERSE BEAM DETAIL

General Notes

- All Concrete shall be Class "A".
- Chamfer all exposed corners 3/4" except where otherwise noted.
- Dimensions relating to reinforcing steel are to centers of bars.
- Field cut and bend bars as necessary to accommodate pipe.
- Location of inlet as shown in the plans refers to the control point shown on this sheet.

BASIS OF BEARING

THE BASIS OF BEARING IS A LINE BETWEEN THE N1/4 COR. OF SEC. 20, T. 19 S., R. 60 E., M.D.M., AND THE E1/16 COR. OF SAID SEC. 20, AS SHOWN ON EXHIBIT B OF DOC. 20030131-03151, WHICH IS THE DEDICATION OF ELKHORN ROAD, WHICH BEARS S 89°42'15" E. CLV BENCHMARK #BLV90-20N6 RIVET & PLATE IN CONCRETE CYLINDER NE CORNER OF EL CAPITAN & DORRELL ELEVATION: 788.9015 METERS, 2588.25 FEET

REV.	DESCRIPTION:	DATE:	BY:

Call before you Dig 86336 1-800-227-2600

Call before you OVERHEAD 1-702-593-6111

Call before you UnderGround 1-702-455-7511

CLARK COUNTY TRAFFIC OPERATIONS AND LAS VEGAS AREA COMPUTERIZED TRAFFIC SYSTEM 1-702-229-6611

UHS

CLIENT
UHS OF DELAWARE, INC
367 SOUTH GULPH ROAD
KING OF PRUSSIA, PA 19406
610-768-3300

ARCHITECT
HKS INC. OF NEVADA
1919 MCKINNEY AVE.
DALLAS, TX 75201
214-969-5599

STRUCTURAL ENGINEER
HKS STRUCTURES
1919 MCKINNEY AVE.
DALLAS, TX 75201

MEP ENGINEER
CCRD PARTNERS
3625 N. HALL ST., SUITE 1300 LB 130
DALLAS, TX 75219

INTERIORS CONSULTANT
DESIGN STUDIO, INC.
161 LEVERINGTON AVE.
PHILADELPHIA, PA 19127

CIVIL ENGINEER
LOPEZGARCIA GROUP
1825 MARKET CENTER, SUITE 500
DALLAS, TX 75207

FOOD SERVICE CONSULTANT
SDI, INC.
5200 DTC PARKWAY, SUITE 500
GREENWOOD VILLAGE, CO 80111

LANDSCAPE ARCHITECT
JW JUNINO AND ASSOCIATES
3191 S. JONES BLVD.
LAS VEGAS, TN 89146

HKS

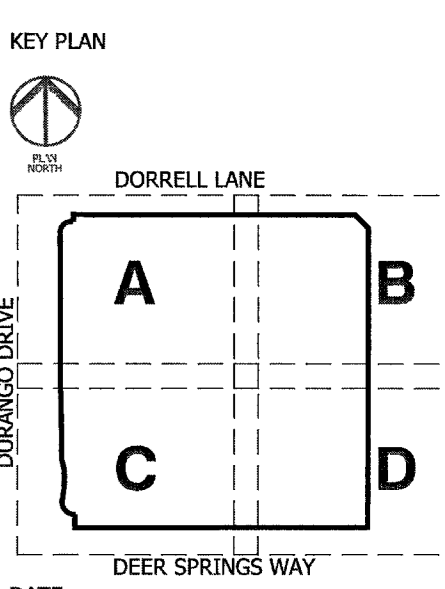
Centennial Hills Hospital
Medical Center

Centennial Hills Hospital

Las Vegas, NV

Professional Engineer - State of Nevada
RICHARD CARSON, JR.
EXP. 12-31-06
CIVIL
Professional No. 14870

DATE
HKS JOB NO.
8849



DATE
20 Jun 05

BID/PERMIT ISSUE
20 JUN 05

CITY OF LAS VEGAS - CIVIL REVIEW
15 SEPT 05
FINAL SUBMITTAL
31 OCT 05

SHEET TITLE
OUTFALL STRUCTURE No. DETAILS

SHEET NO.
C5.4

SHEET NO. 26 OF 41
107V4516