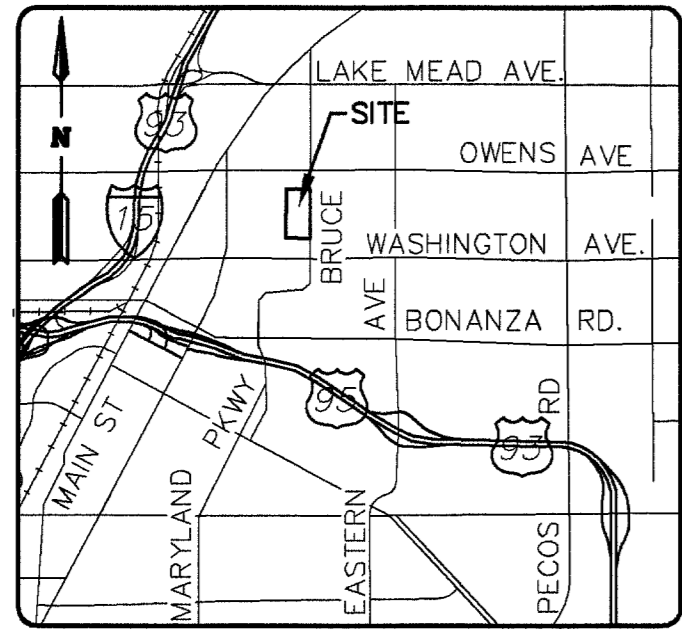


**CALL before you Overhead**  
1-702-227-2929

**CALL before you DIG**  
1-800-227-2600

UNDERGROUND SERVICE (USA)  
AVOID OVERHEAD POWER LINE CONTACT. IT'S COSTLY.

UNDERGROUND SERVICE (USA)  
AVOID CUTTING UNDERGROUND UTILITY LINES. IT'S COSTLY.



**CONSTRUCTION NOTES**

- LOCATION OF UNDERGROUND UTILITIES ON THE DRAWINGS WERE OBTAINED BY A THOROUGH SEARCH OF AVAILABLE RECORDS. THE ENGINEER ASSUMES NO RESPONSIBILITY FOR UTILITIES NOT SHOWN OR IN THE LOCATION SHOWN ON THE DRAWINGS.
- EXISTING WATERLINE PER DWG: JAMES BROOKS MCDANIEL, A.I.A. ARCHITECTS, JOB NO. NEV-2-5, SHT M-1 OF 12, DATED 12-8-81.
- EXISTING WATERLINE PER DWG: YSIDRO R. BARRON, A.I.A. ARCHITECTS, JOB NO. 931201, DWG NO. C1.02 AND C1.01, DATED 9-15-84.
- EXISTING GAS AND WATER UTILITY LINES TO REMAIN. CONTRACTOR RESPONSIBLE FOR ANY DAMAGE.
- ALL SANITARY SEWER IS CONSTRUCTED OF WATER SUPPLY QUALITY MATERIALS AND MEETING AWWA STANDARDS INSTALLED PER 2.19.02.B1 THROUGH B3.
- AT STATION 44+46.52 INSTALL 12"x8" MECHANICAL JOINT TAPPING SLEEVE W/ 8" TAPPING VALVE PER UDACS NO. 22.
- AT STATION 44+46.52 INSTALL 8" DOUBLE CHECK DETECTOR ASSEMBLY PER PLATE 11C OF THE UNIFORM DESIGN AND CONSTRUCTION STANDARDS FOR POTABLE WATER SYSTEMS, 2003.
- AT STATION 64+49.30 INSTALL 8" MECHANICAL JOINT TAPPING SLEEVE W/ 8" TAPPING VALVE PER UDACS PLATE NO. 22.
- AT STATION 64+49.30 INSTALL 8" DOUBLE CHECK DETECTOR ASSEMBLY PER PLATE 11C OF THE UNIFORM DESIGN AND CONSTRUCTION STANDARDS FOR POTABLE WATER SYSTEMS, 2003.
- AT STATION 18+74.82 INSTALL 10"x6" MECHANICAL JOINT TAPPING SLEEVE W/ 8" TAPPING VALVE PER UDACS NO. 22.
- SAWCUT AND REPLACE CURB AND GUTTER PER CCAUSD NO. 216. REMOVE AND REPLACE CONCRETE SIDEWALK TO NEAREST SAWCUT LINE PER CCAUSD NO. 234.
- TRENCH AND BACKFILL PER CCAUSD NO. 503.
- FIRE HYDRANTS TO BE INSTALLED IN ACCORDANCE WITH UDACS STANDARD PLATE NO. 7. NO FIRE HYDRANT SHALL BE LOCATED WITHIN 25 FEET OF ANY STRUCTURE OR 6 FEET OF A DRIVEWAY, POWER POLE, LIGHT STANDARD, OR ANY OTHER OBSTRUCTION.
- REPLACE ALL SIDEWALK TO NEAREST SAWCUT LINE PER CCAUSD NO. 234 WHERE DESTROYED FOR INSTALLATION OF SEWER AND/OR WATER.
- INSTALL 8" GATE VALVE.
- ALL SEWER/STORM DRAINS CROSSING WATER LINES MUST CONFORM TO SECTION 2.19 OF UNIFORM DESIGN AND CONSTRUCTION STANDARDS FOR WATER DISTRIBUTION SYSTEMS (UDACS) FOR WATER AND STORM MAIN CROSSINGS AND CLEARANCES.

- INSTALL PROTECTIVE BOLLARDS PER DETAIL (C3).
- INSTALL 2" BACKFLOW PREVENTION REDUCED PRESSURE PRINCIPLE ASSEMBLY PER UDACS PLATE NO. 11A (SHEETS 1 & 2), PER STANDARD NOTE THIS SHEET.

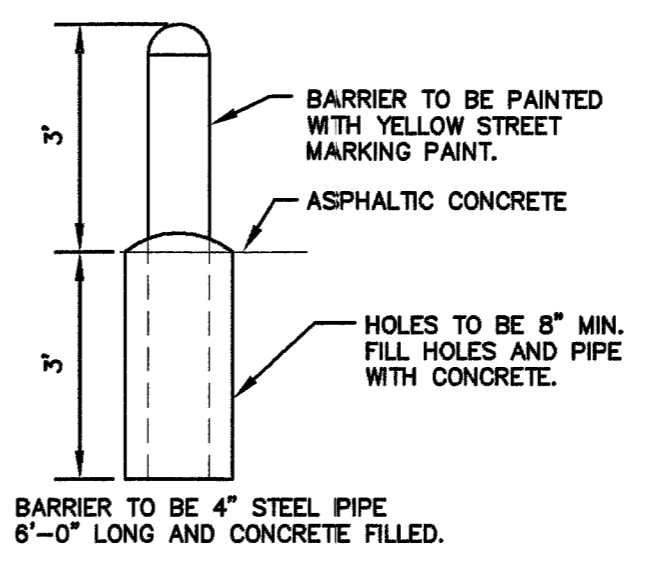
**QUANTITIES**

|  | PRIVATE  | PUBLIC |
|--|----------|--------|
| 8" DCDA  |          | 2 EA   |
| 2" RPPA  | 2 EA     | 2 EA   |
| 8" PVC WL  | 2,215 LF | 130 LF |
| 6" PVC WL  | 171 LF   |        |
| 8" GATE VALVE  | 8 EA     |        |
| 6" GATE VALVE  | 3 EA     | 1 EA   |
| 12"x8" MECHANICAL JOINT TAPPING SLEEVE W/ 8" TAPPING VALVE |          | 1 EA   |
| 8" MECHANICAL JOINT TAPPING SLEEVE W/ 8" TAPPING VALVE     |          | 1 EA   |
| FIRE HYDRANT ASSEMBLY                                      | 3 EA     | 1 EA   |

THESE QUANTITIES ARE FOR PLANS CHECKING PURPOSES ONLY AND SHOULD NOT BE USED BY CONTRACTORS TO DETERMINE FINAL QUANTITIES.

**EXISTING UTILITY LEGEND**

- EXISTING 4" SANITARY SEWER
- EXISTING 2" GAS
- EXISTING 1.5" GAS
- EXISTING 1.5" WATER LINE
- EXISTING 2" WATER LINE
- EXISTING 4" WATER LINE



**PROTECTIVE BOLLARD DETAIL**  
N.T.S.

**CLV FIRE DEPARTMENT**

FIRE FLOW REQUIREMENT IS 2,000 GALLONS PER MINUTE AT 20 POUNDS PER SQUARE INCH RESIDUAL.

BASED ON:

|   | EXISTING ADMIN. BLDG. | EXISTING 1-BR FOUR-PLEX |
|---|-----------------------|-------------------------|
| SQUARE FOOTAGE:                               | 4,882 SF              | 2,532 SF                |
| LARGEST AREA BETWEEN 4 HOUR SEPARATION WALLS: | 4,882 SF              | 2,532 SF                |
| BUILDING HEIGHT:                              | 13 FT                 | 10 FT                   |
| NUMBER OF STORIES:                            | 1                     | 1                       |
| TYPE OF CONSTRUCTION:                         | V-B                   | V-B                     |
| OCCUPANCY:                                    | B                     | R-2                     |
| FULL AUTOMATIC FIRE SPRINKLER SYSTEM:         | NO                    | YES                     |
| REVIEWED BY:                                  | <i>[Signature]</i>    | <i>[Signature]</i>      |
| DATE:   | 9-22-05               | 9-22-05                 |

**APPROVED FOR CONSTRUCTION**

LAS VEGAS VALLEY WATER DISTRICT (SHEETS C1, C3) DATE  
PROJECT NO. H111337

**DOUBLE CHECK DETECTOR ASSEMBLY (DCDA) (2) 8"**

THE DOUBLE CHECK DETECTOR ASSEMBLIES SHALL BE INSTALLED IN ACCORDANCE WITH THE UDACS PLATE 11C.

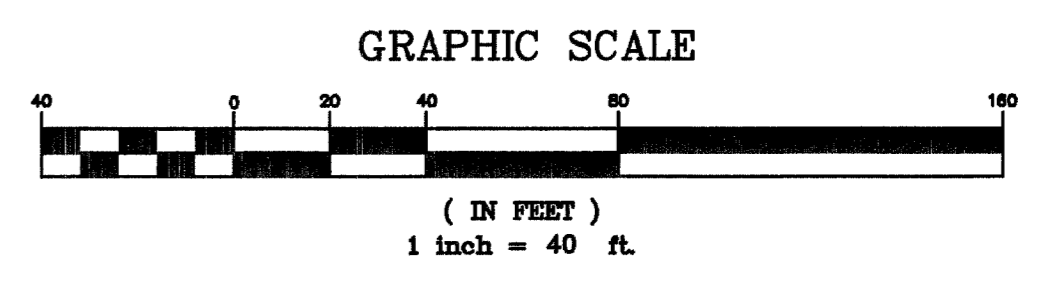
ANY BLOCK WALL OR OTHER FENCE MATERIAL SHALL BE DESIGNED AND CONSTRUCTED AROUND THE OUTSIDE OF THE EASEMENT(S), SO AS TO ALLOW THE DISTRICT DIRECT ACCESS FROM THE ADJACENT RIGHT-OF-WAY.

EASEMENTS SHALL BE CLEARLY MARKED OR STAKED PRIOR TO THE START OF CONSTRUCTION

**REDUCED PRESSURE PRINCIPLE ASSEMBLY (2) 2"**

APPROVED REDUCED PRESSURE PRINCIPLE ASSEMBLY(S) SHALL BE INSTALLED PER THE UDACS PLATE NO. 11A. NO WATER SHALL BE TAKEN FROM A SERVICE REQUIRING BACKFLOW PREVENTION UNTIL THE REDUCED PRESSURE PRINCIPLE ASSEMBLY HAS BEEN SUCCESSFULLY TESTED BY THE LVWMD.

ANY BLOCK WALL OR OTHER FENCE MATERIAL SHALL BE DESIGNED AND CONSTRUCTED AROUND THE OUTSIDE OF THE EASEMENT(S), SO AS TO ALLOW THE DISTRICT DIRECT ACCESS FROM THE ADJACENT RIGHT-OF-WAY.



**LEGEND**

- EXISTING CONTOURS
- PROPOSED CONTOURS
- PROPOSED GRADE
- EXISTING GRADE
- PROPOSED SANITARY SEWER LINE
- EXISTING SANITARY SEWER LINE
- PROPOSED WATER LINE
- EXISTING WATER LINE
- PROPOSED FIRE SPRINKLER LINE
- EXISTING GAS LINE
- EXIST./PROP. EDGE OF ASPHALT
- PROPERTY/RIGHT-OF-WAY LINE
- CENTERLINE
- EXIST./PROP. BLOCK WALL
- EX. OVERHEAD POWER/TELEPHONE
- SAWCUT LINE
- EXIST./PROP. SANITARY SEWER MANHOLE
- EXIST./PROP. 100W HPS STREETLIGHT
- EXIST./PROP. 150W HPS STREETLIGHT
- EXIST./PROP. 250W HPS STREETLIGHT
- HANDICAPPED SYMBOL
- EXIST./PROP. FIRE HYDRANT
- EXIST./PROP. GATE VALVE
- EXIST./PROP. REDUCING VALVE
- EXIST./PROP. CLEANOUT
- PROPOSED ASPHALT
- PROPOSED CONCRETE
- PROPOSED FIRE DEPARTMENT CONNECTION (FDC)

**ABBREVIATIONS**

|        |                                 |
|--------|---------------------------------|
| AC     | ASPHALTIC CONCRETE              |
| BCR    | BEGINNING OF CURB RETURN        |
| BRW    | BOTTOM RETAINING WALL           |
| BSW    | BACK OF SIDEWALK                |
| CC     | CLARK COUNTY                    |
| CLV    | CITY OF LAS VEGAS               |
| ONLV   | CITY OF NORTH LAS VEGAS         |
| COH    | CITY OF HENDERSON               |
| CH     | CENTERLINE                      |
| CO     | SEWER CLEANOUT                  |
| CONC   | CONCRETE                        |
| EAC    | EXISTING ASPHALTIC CONCRETE     |
| EQ     | EXISTING OVERHEAD POWER         |
| EP     | EDGE OF PAVEMENT                |
| ETC    | EXISTING TOP OF CURB            |
| EX     | EXISTING                        |
| FF     | FINISHED FLOOR                  |
| FL     | FLOWLINE                        |
| GB     | GRADE BREAK                     |
| HP     | HIGH POINT                      |
| IE     | INVERT ELEVATION                |
| LVWMD  | LAS VEGAS VALLEY WATER DISTRICT |
| N.T.S. | NOT TO SCALE                    |
| OH     | EXISTING OVERHEAD POWER         |
| PE     | PAD ELEVATION                   |
| PL     | PROPERTY LINE                   |
| PP     | POWER POLE                      |
| SD     | STORM DRAIN LINE                |
| SF     | SQUARE FEET                     |
| SL     | STREET LIGHT                    |
| SS     | SANITARY SEWERLINE              |
| STA    | STATION                         |
| SW     | SIDEWALK                        |
| TC     | TOP OF CURB                     |
| TRW    | TOP RETAINING WALL              |
| TYP    | TYPICAL                         |
| VG     | VALLEY GUTTER                   |
| WL     | WATERLINE                       |
| WM     | WATER METER                     |

**BENCHMARK**

NORTH 89° 56' 34" EAST BEING THE NORTH LINE OF THE NW 1/4 OF SEC. 26, TOWNSHIP 20S, RANGE 61 E, M.D.M. AS RECORDED IN FILE 42 PAGE 38 OF RECORD OF SURVEYS

**BASIS OF BEARINGS**

CLV NO. 2LV01 26N6, RIVET & PLATE IN TOP OF CURB @ NE CORNER OR CURB & SEARLES. ELEV. 1866.33 (88 NAVD)

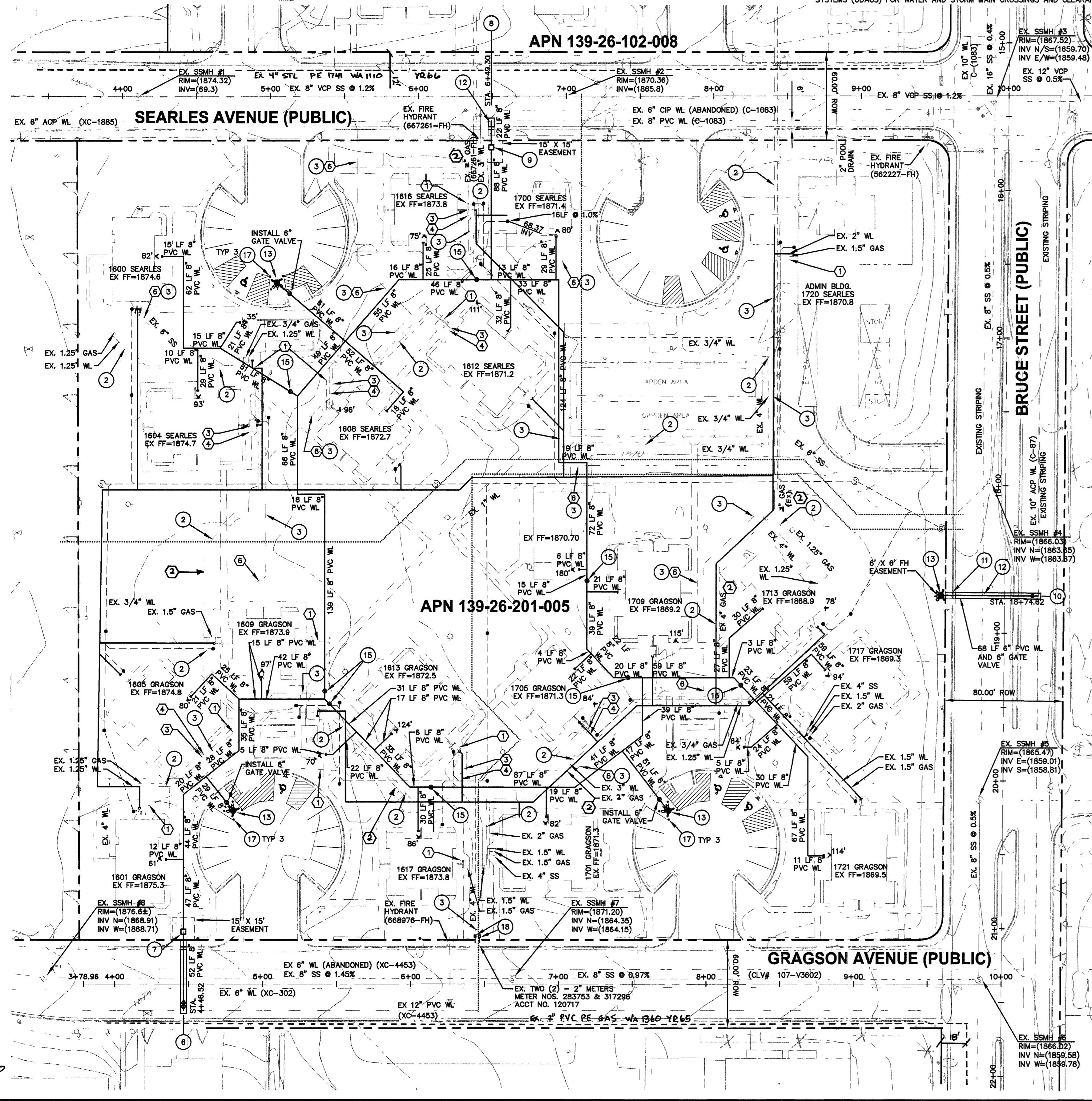
PROJECT NAME *Archie Grant Park Modernization*

This project water plan complies with the Las Vegas Valley Water District's technical requirements. However, this water plan is **NOT APPROVED FOR CONSTRUCTION** until the LVWMD is satisfied with the plan.

at this time and this signature does not provide or imply a water commitment

*[Signature]* DATE 9/22/05

LVWMD PROJECT NO. H111337



**UTILITY PLAN - FIRE SPRINKLER**

SHEET: 09/22/05

DESIGNED BY: KJE / DRW

CHECKED BY: KJE

PROJECT NO: 176.8

FILE NAME: UT-170-B.DWG

**LUCCHESI GALATI ARCHITECTS**  
PROJECT DEVELOPER  
LAS VEGAS, NEVADA 89119  
V - (702) 263-7111 F - (702) 263-8111

**ARCHIE GRANT PARK MODERNIZATION  
LAS VEGAS HOUSING AUTHORITY**

4130 S. SANDHILL, SUITE A-16  
LAS VEGAS, NV 89121  
PH: (702) 597-2988  
FAX: (702) 597-0509

**KENNETH J. ERLANGER**  
REGISTERED PROFESSIONAL ENGINEER - STATE OF NEVADA  
No. 9678  
9/22/05

SCALE  
HORIZONTAL: 1" = 40'  
VERTICAL: N/A

SHEET C3  
3 OF 4 SHEETS  
CLV DWG# 107V4466