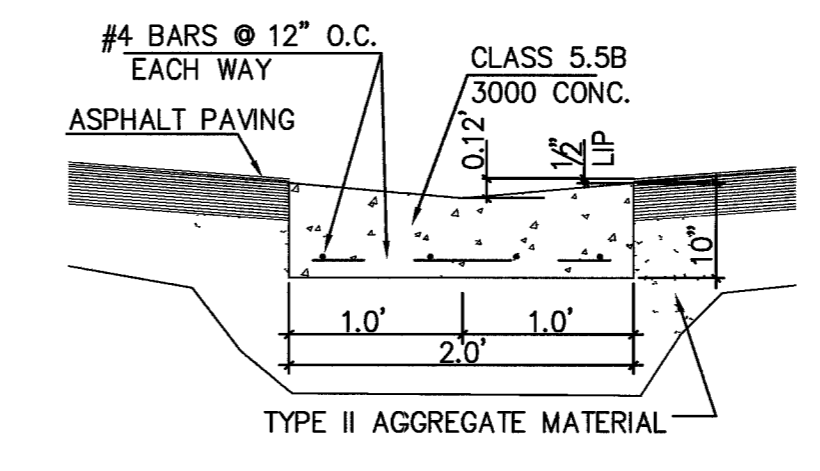


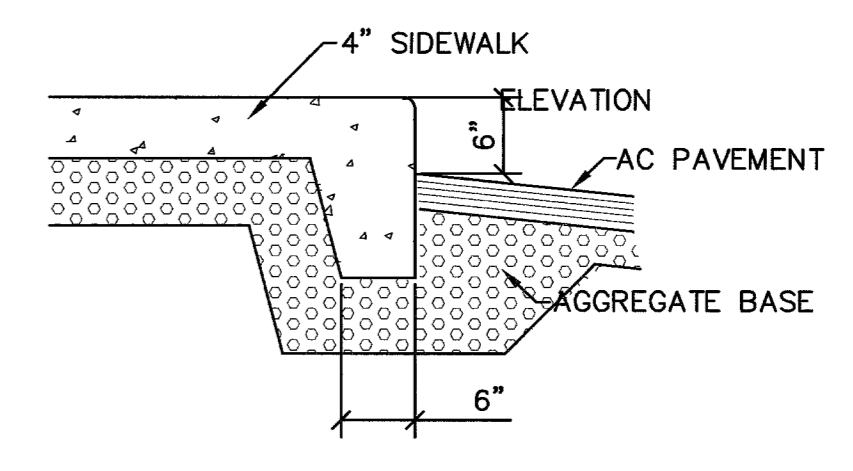
AREA MAP
N.T.S.

LEGEND

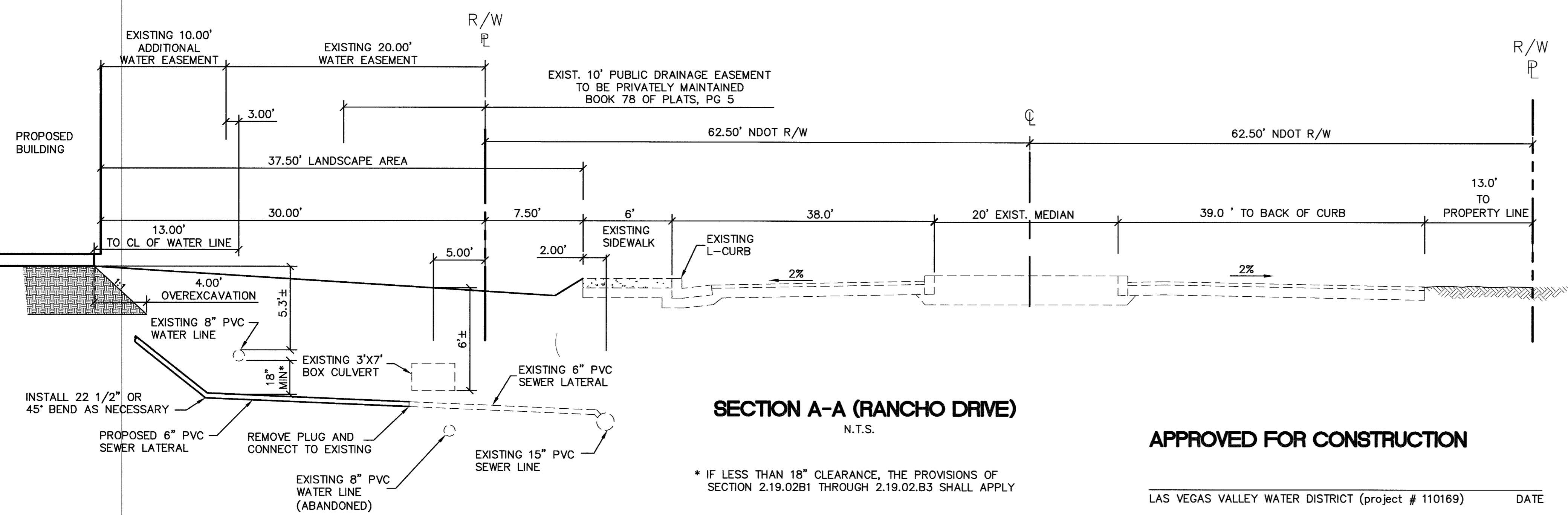
NEW	EXISTING	DESCRIPTION
---	---	CENTERLINE
====	====	PROPERTY/RIGHT-OF-WAY LINE
---	---	"L" CURB & GUTTER
---	---	"A" CURB & GUTTER
---	---	FLOW LINE
xx.xx	xxxxx	GRADES
---	---	5 FOOT CONTOURS
---	---	1 FOOT CONTOURS
☼	☼	FIRE HYDRANT
○	○	STREETLIGHT
○	○	MANHOLE
⊗	⊗	WATER VALVE
⊗	⊗	ELECTRIC VAULTS, WATER METER, ETC. (PER ABBREVIATION)
□	□	FLOOD ZONE AE
▨	▨	AC PAVEMENT
▩	▩	CONCRETE AREA



2' VALLEY GUTTER DETAIL
N.T.S.



TURNED DOWN CURB
N.T.S.

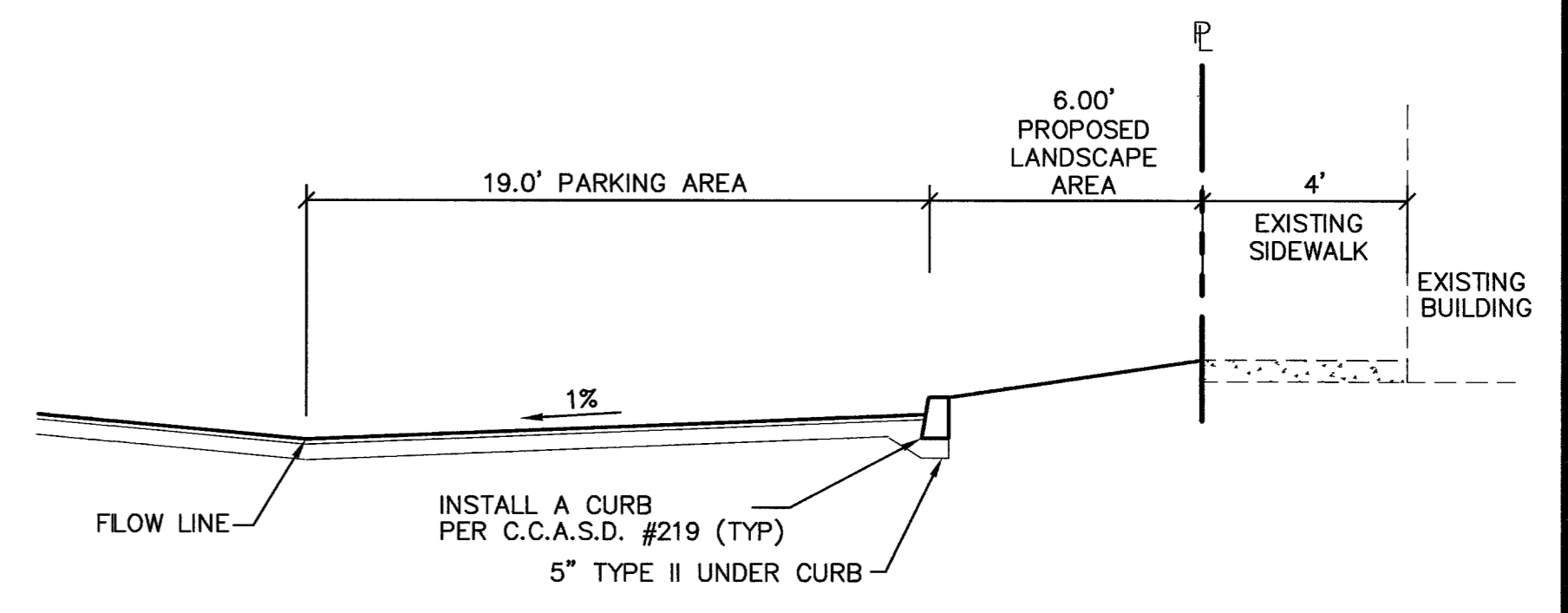


SECTION A-A (RANCHO DRIVE)
N.T.S.

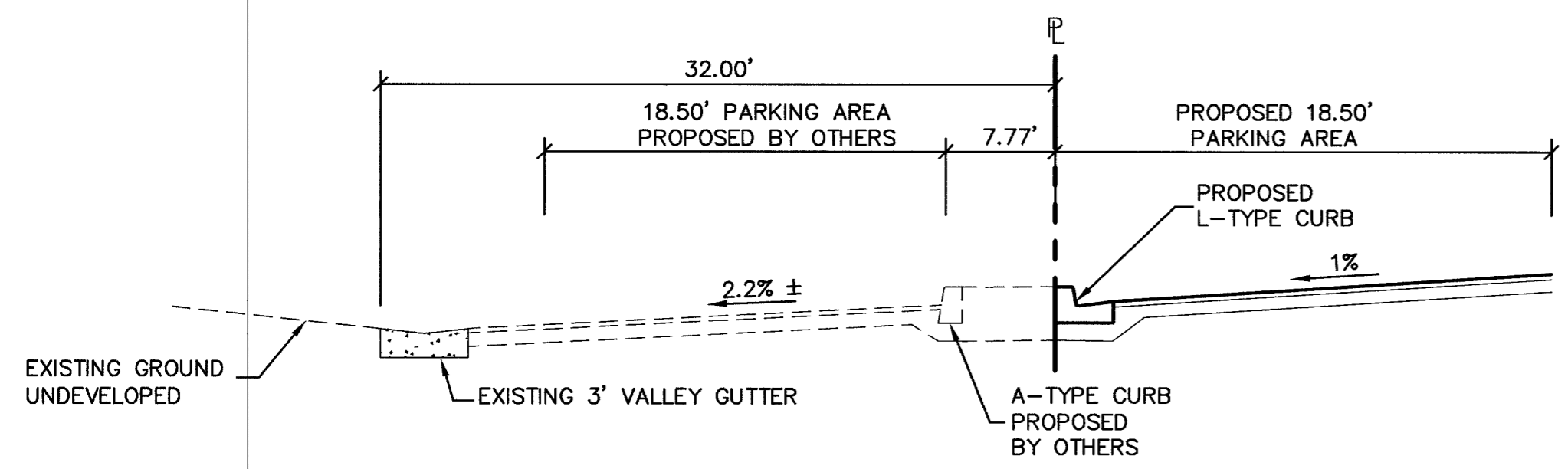
* IF LESS THAN 18" CLEARANCE, THE PROVISIONS OF SECTION 2.19.02B1 THROUGH 2.19.02B3 SHALL APPLY

APPROVED FOR CONSTRUCTION

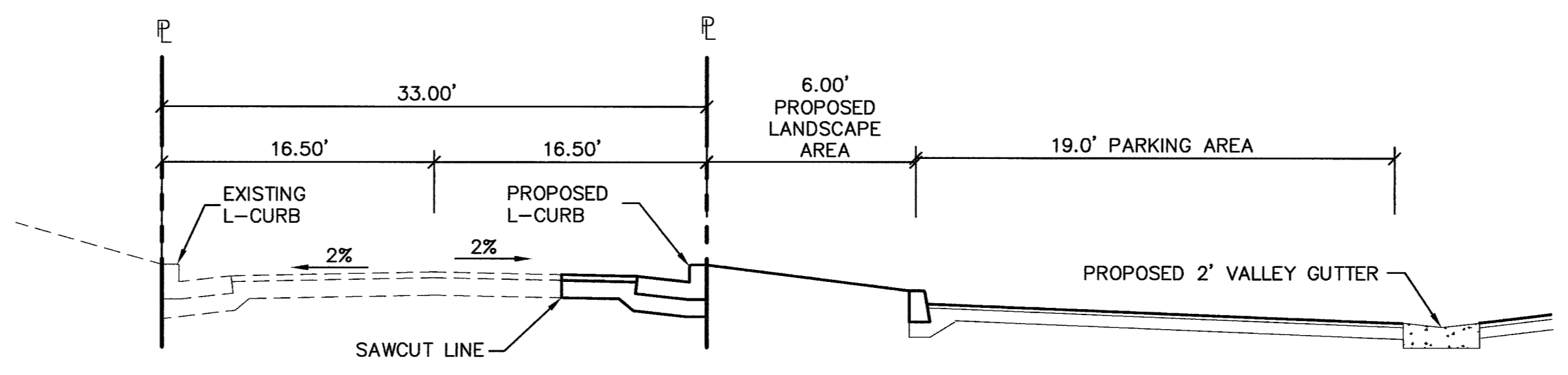
LAS VEGAS VALLEY WATER DISTRICT (project # 110169) DATE



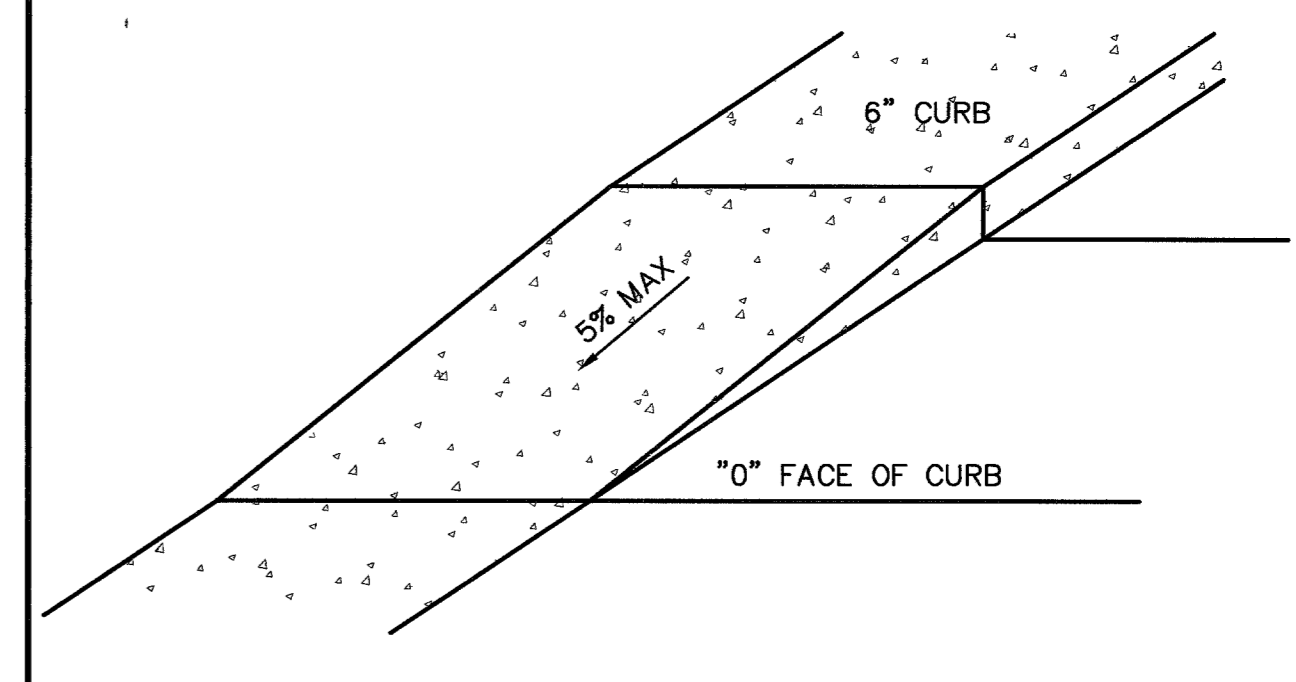
SECTION B-B
N.T.S.



SECTION C-C
N.T.S.



SECTION D-D
N.T.S.



ONSITE RAMP 'A'
N.T.S.

REV.	DATE	BY	REVISION

RedRock
ENGINEERING & SURVEYING, INC.
2001 SOUTH RAINBOW BLVD., STE. K
LAS VEGAS, NEVADA 89146
PHONE (702) 363-8188
FAX (702) 363-3433

AMERICAN PLAZA
TYPICAL SECTIONS AND DETAILS
NORTH RANCHO DRIVE
CITY OF LAS VEGAS, NEVADA

DRAWN BY	: PB
DESIGNED BY	: PB
CHECKED BY	: WDC
DATE	: 10/22/04
JOB #	: 24132
APN	: 138-02-814-006
SHEET	: 2 OF 2
SCALE	: HORIZ 1" = 20' VERT 1" = 2'



SHEET #
C7
7 OF 7
107V4448