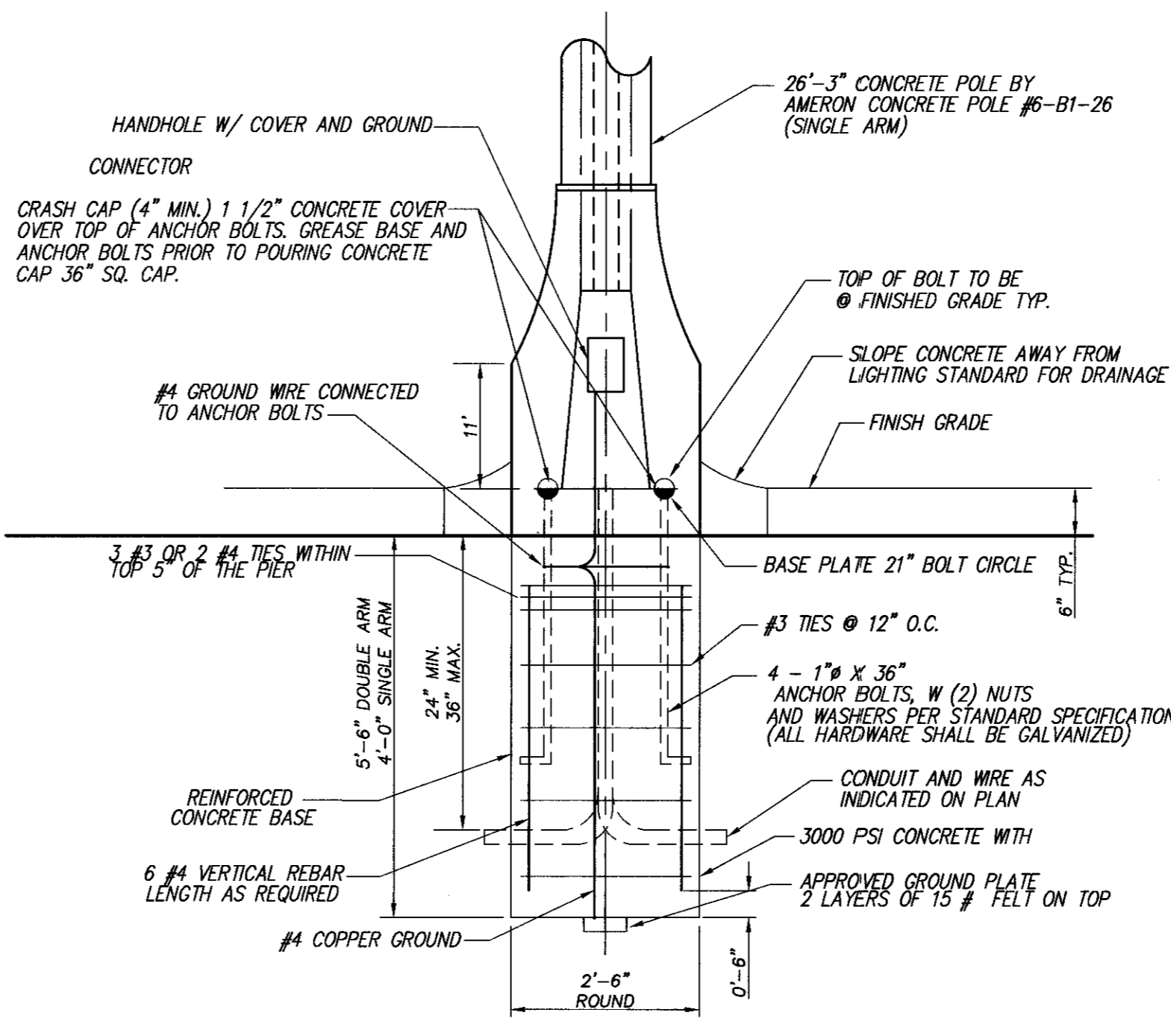


BENCHMARK
RIVET AND PLATE IN CONCRETE CYLINDER NW CORNER OF DEER SPRINGS AND RILEY.
#BLV902068 775.1977 METERS/2543.29 FEET

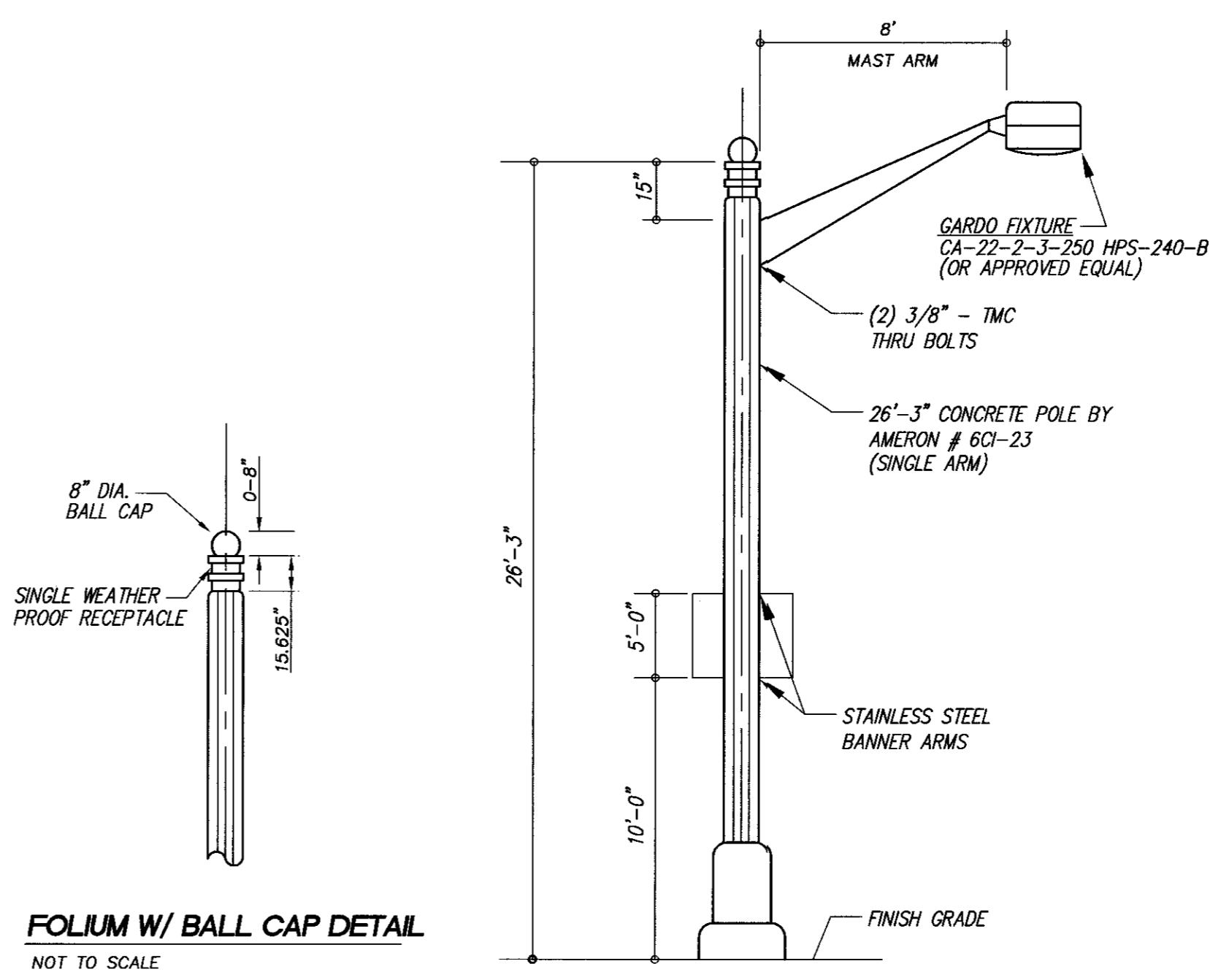
BASIS OF BEARINGS
NORTH 89°37'43" WEST BEING THE SOUTH LINE OF THE NORTHWEST QUARTER (NW 1/4) OF THE SOUTHEAST QUARTER (SE 1/4) OF SECTION 19, TOWNSHIP 19 SOUTH, RANGE 60 EAST, M.D.M., CITY OF LAS VEGAS, CLARK COUNTY, NEVADA AS SHOWN ON THAT MAP IN THE CLARK COUNTY RECORDER'S OFFICE, CLARK COUNTY, NEVADA IN FILE 107 OF SURVEYS, AT PAGE 31.

Call before you dig
1-800-227-2600
Underground Utility Services (USA)

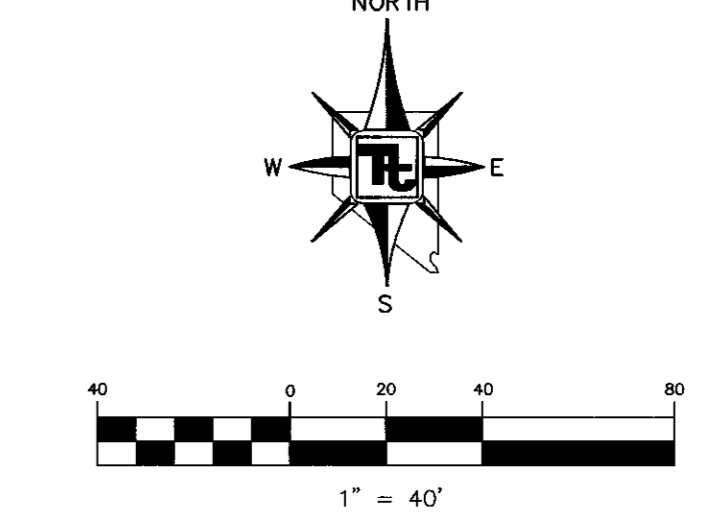
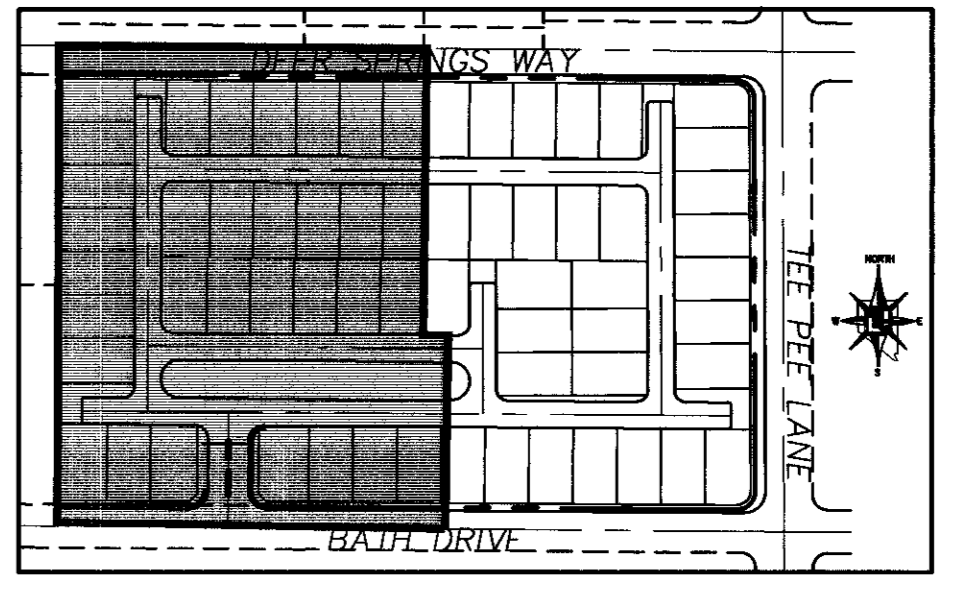
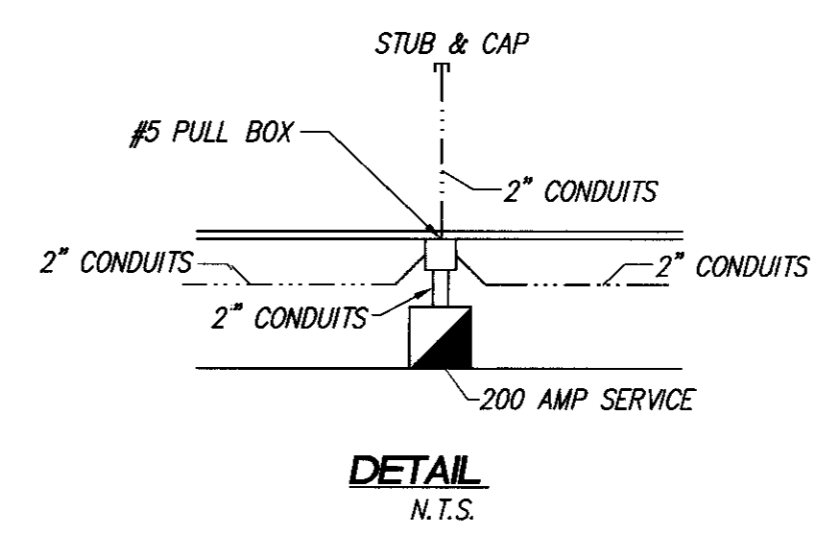
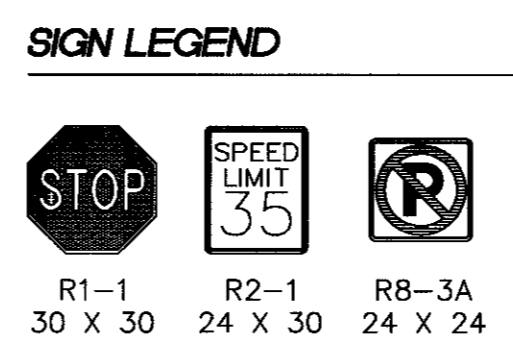
Call before you Overhead
1-702-593-6111
Nevada Power Corporation Safety Services Department



STREET LIGHT POLE BASE DIAGRAM
TEE PEE LANE ONLY NOT TO SCALE



STREETLIGHT-SINGLE ARM
TEE PEE LANE ONLY NOT TO SCALE



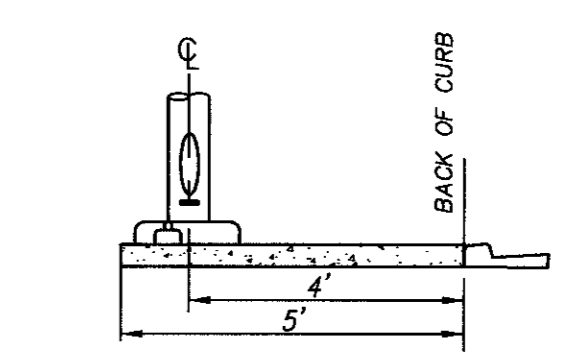
- LEGEND**
- PROPOSED 150W HPS STREETLIGHT
 - PROPOSED 400W HPS STREETLIGHT
 - EXISTING 150 HPS STREETLIGHT
 - EXISTING 250 HPS STREETLIGHT
 - EXISTING 400 HPS STREETLIGHT
 - PROPOSED STREETLIGHT CONDUIT
 - PROPOSED INTERCONNECT
 - PROPOSED STREETLIGHT SERVICE POINT
 - PROPOSED #5 PULLBOX
 - TYPE III B BARRICADES

STREETLIGHT QUANTITIES

400 W HPS STREETLIGHT	1 EA
150 W HPS (TOWN CENTER POLES)	3 EA
150 W HPS STREETLIGHT	12 EA
1-1/4" STREETLIGHT CONDUIT	984± LF
2" STREETLIGHT CONDUIT	1709± LF
2" INTERCONNECT	659± LF
#5 PULLBOX	1 EA
200 AMPS SERVICE	1 EA

NOTE:
THIS IS A PRIVATE GATED COMMUNITY WITH PRIVATE STREETS. STREETLIGHTS WILL BE ADDRESSED ACCORDINGLY.

NOTE:
ALL PRIVATE STREETS & DRIVES ARE P.U.E., CLV SEWER EASEMENTS, AND PUBLIC DRAINAGE EASEMENTS TO BE PRIVATELY MAINTAINED BY H.O.A.



STREET LIGHT LOCATION
DEER SPRINGS WAY & BATH DRIVE PER STD. DWG. #314

STREETLIGHT NOTES
ALL HAND HOLE COVERS MUST BE INSTALLED, POLE CAPS POURED, AND PULL BOX LIDS BOLTED DOWN PRIOR TO ENERGIZING CIRCUIT. ALL WIRE MUST HAVE THW INSULATION.
INSTALL CONDUIT UNDER SIDEWALK.

- NOTES:**
- PROVIDE (1) IN-LINE TWO POLE FUSEHOLDER WITH 10A FUSES LOCATED AT THE HANDHOLE.
 - WIRING TO LUMINAIRES FROM HANDHOLE SHALL INCLUDE GROUND.
 - 2" CONDUIT WITH 2-#4, 1-#8 THW WIRE (TYP.).
 - COORDINATE ALL WORK WITH CLV ELECTRICAL SHOP PHONE NUMBER 229-6331.

KIMBALL HILL HOMES
8 SUNSET WAY, SUITE 101
LAS VEGAS, NEVADA 89014
(702) 436-4582

TETRA TECH, INC.
INFRASTRUCTURE SERVICES GROUP
401 N. Buffalo Dr. Suite 100, Las Vegas, Nevada 89145
(702) 249-4200

STREETLIGHT, SIGNAGE AND STRIPING PLAN

ARROYO CANYON
CITY OF LAS VEGAS

PROJECT NO. **P08719-003**

SHEET **ST2** OF **21**
DRAWING NO. **10714828**