

Avoid cutting underground utility lines. If contact, call before you dig. Call before you dig overhead. 1-800-227-2600 1-702-593-6111

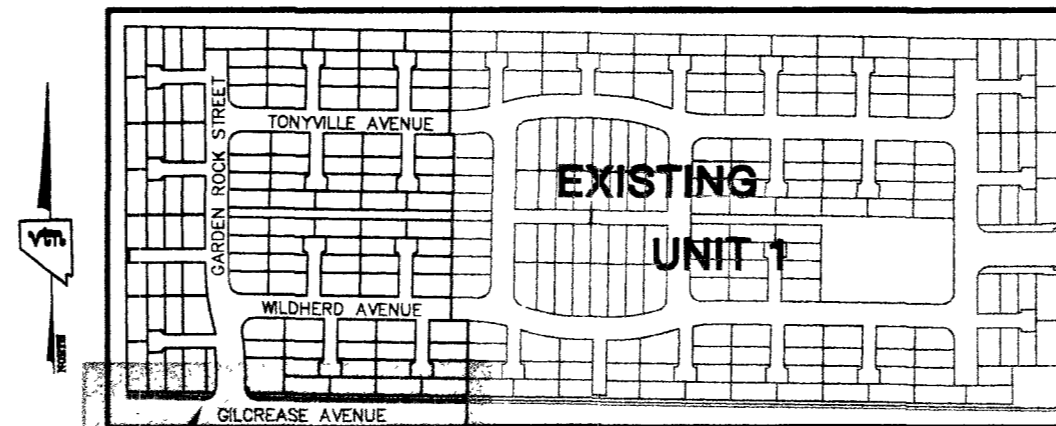
PROJECT BENCHMARK
PROJECT DATUM: NORTH AMERICAN VERTICAL DATUM OF 1988 (NAVD88)
CITY OF LAS VEGAS BENCHMARK: OC9017N6
ELEVATION: 799.0857 METERS (2,621.67 FEET)
RIVET AND SQUARE ALUMINUM PLATE IN TOP CENTER OF HEADWALL ON THE WEST SIDE OF U.S. 95 NEAR MILE MARKER 90.15.

BASIS OF BEARING:
SOUTH 89°10'24" EAST - BEING THE SOUTH LINE OF THE NORTHWEST QUARTER (NW 1/4) OF THE NORTHEAST QUARTER (NE 1/4) OF SECTION 18, TOWNSHIP 19 SOUTH, RANGE 60 EAST, M.D.M., CLARK COUNTY, NEVADA AS SHOWN BY THAT RECORD OF SURVEY ON FILE IN THE OFFICE OF THE COUNTY RECORDER, CLARK COUNTY, NEVADA, IN FILE 114 OF SURVEYS, AT PAGE 57.

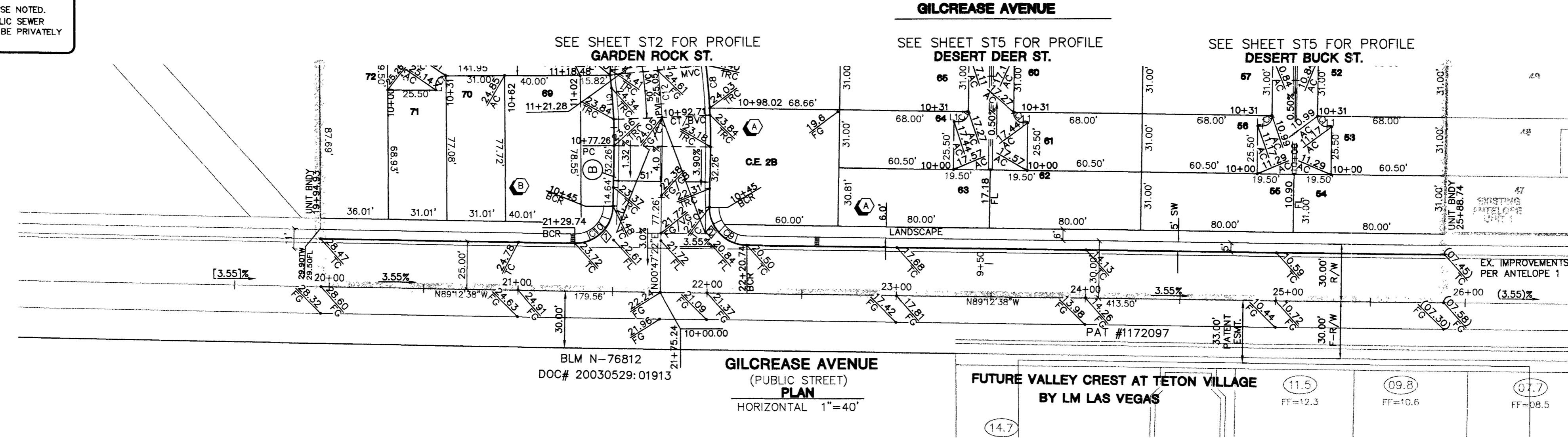
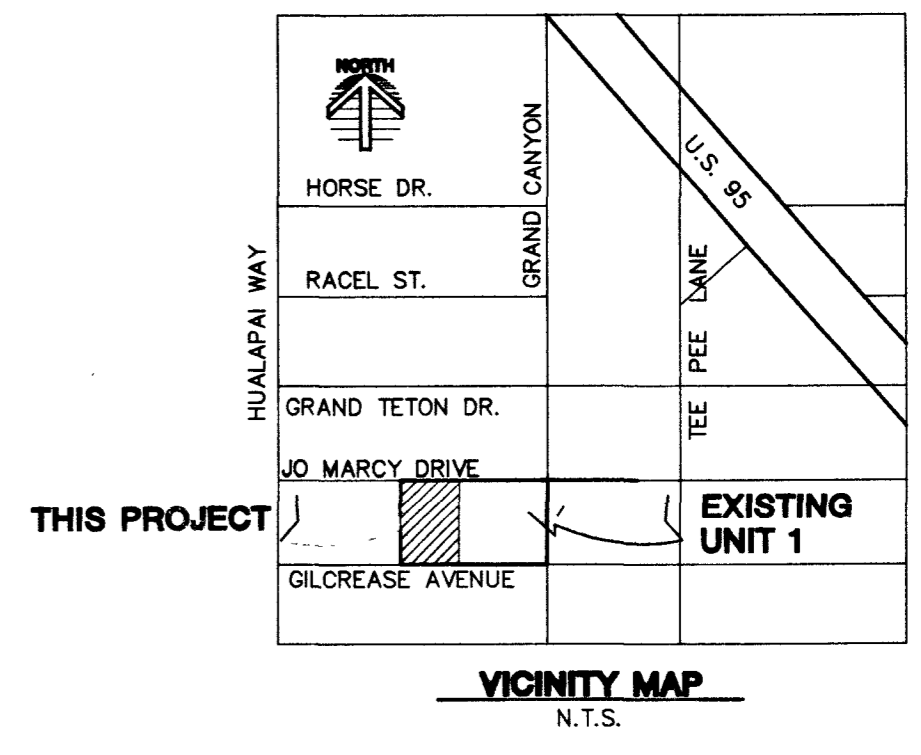
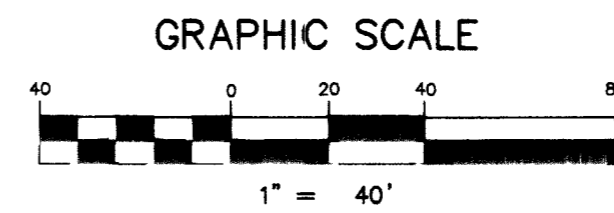
NOTE:
ALL STREETS ARE PRIVATE DRIVES UNLESS OTHERWISE NOTED. ALL PRIVATE STREETS AND DRIVES ARE P.U.E., PUBLIC SEWER EASEMENTS, AND PUBLIC DRAINAGE EASEMENTS TO BE PRIVATELY MAINTAINED BY HOA.

RAMP TABLE

RAMP #	LENGTH 'A'	LENGTH 'B'
1	8.00'	8.00'
2	12.50'	12.50'

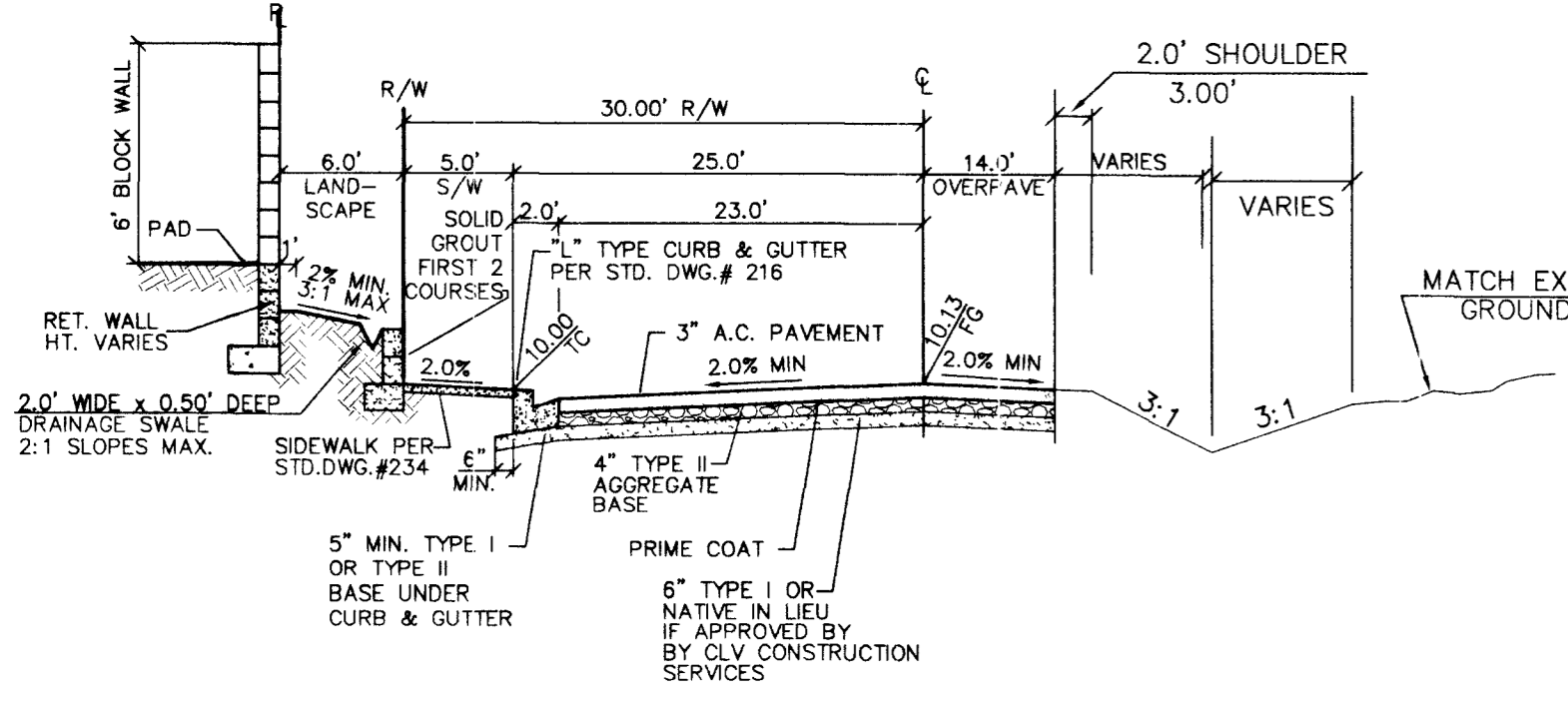
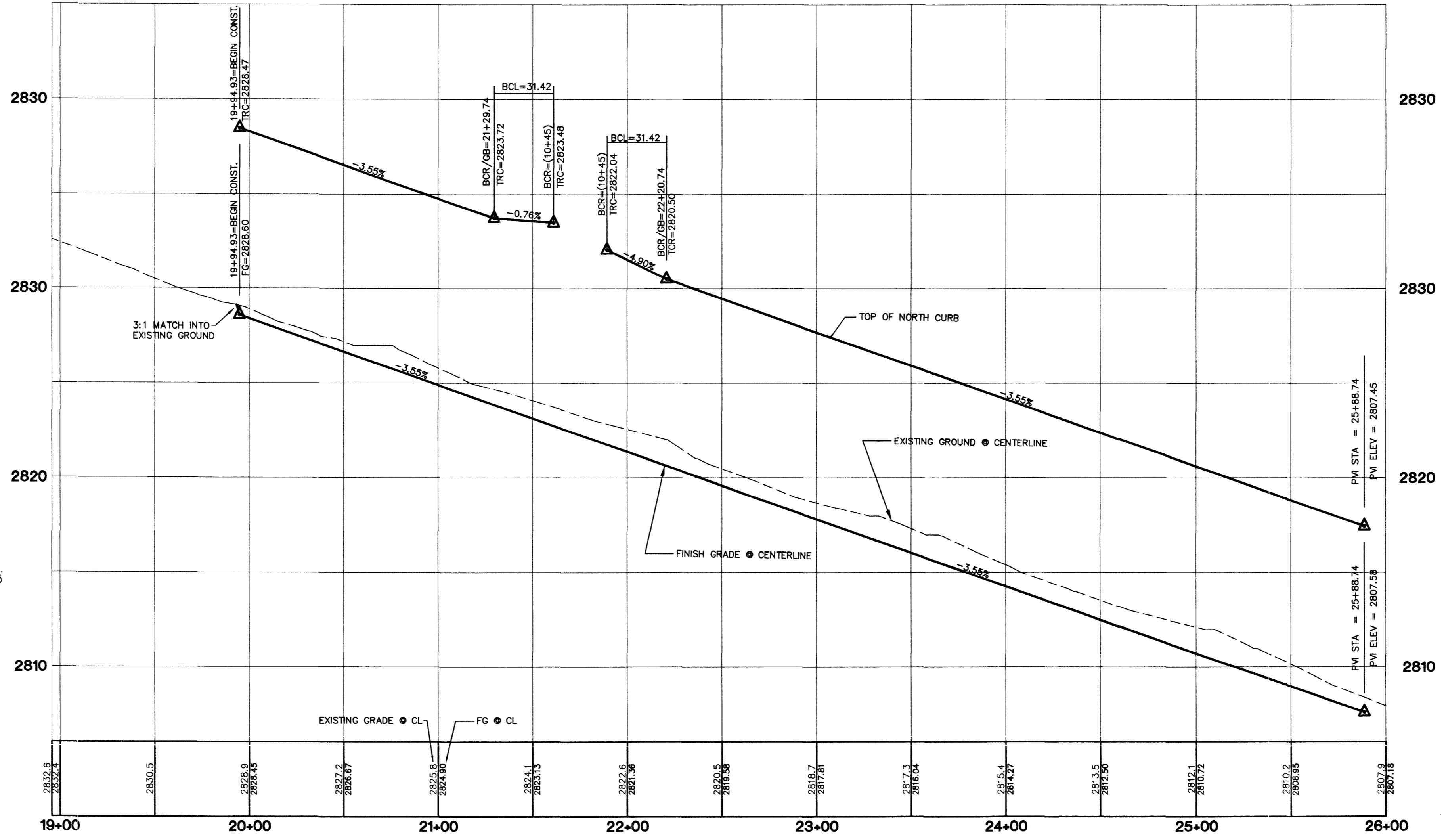


THIS SHEET



CURVE TABLE

CURVE	LENGTH	RADIUS	DELTA	TANGENT
C9	31.42'	20.00'	90°00'00"	20.00'
C10	31.42'	20.00'	90°00'00"	20.00'



PROFILE
HORIZONTAL 1"=40'
VERTICAL 1"=4'

GREYSTONE HOMES
CITY OF LAS VEGAS, NEVADA

STREET PLAN & PROFILE
GILCREASE AVENUE

ANTELOPE UNIT 2

3785 E. SUNSET BLVD. LAS VEGAS, NEVADA 89120
702) 498-7700

2727 SOUTH RAINBOW BOULEVARD LAS VEGAS, NEVADA 89146-5148
PH. (702) 873-7550 FAX (702) 362-2597

PLANNERS • LAND SURVEYORS
CONSULTING ENGINEERS

VTM nevada

SCALE: 1"=40' HORIZ. 1"=4' VERT.

PROJECT NO: 6-589-2

EXPIRES 06-30-04

PROFESSIONAL ENGINEER STATE OF NEVADA
AARON M. YAMACHIKA
CIVIL
No. 16079

SHEET
ST1
10 OF 25 SHEETS
DRAWING NO.
10774781-2

64069