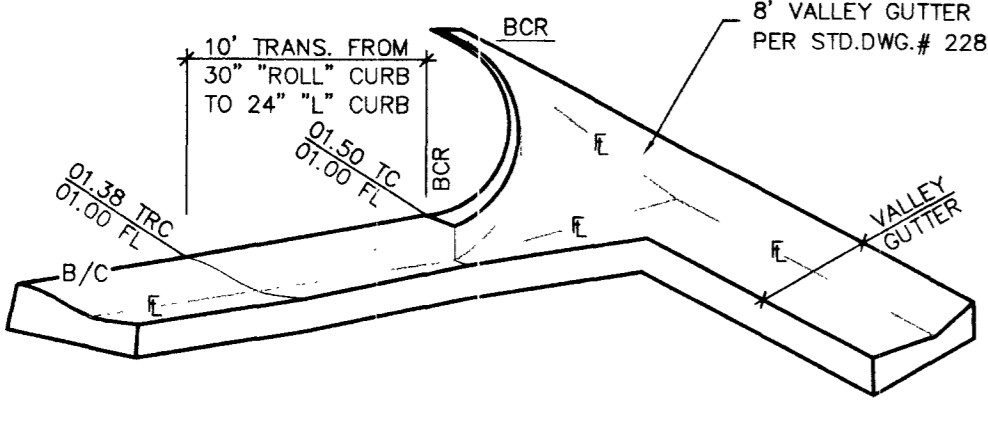
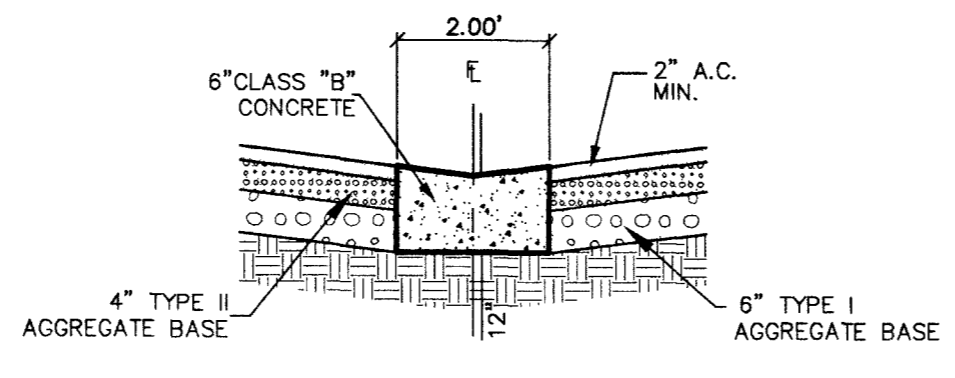


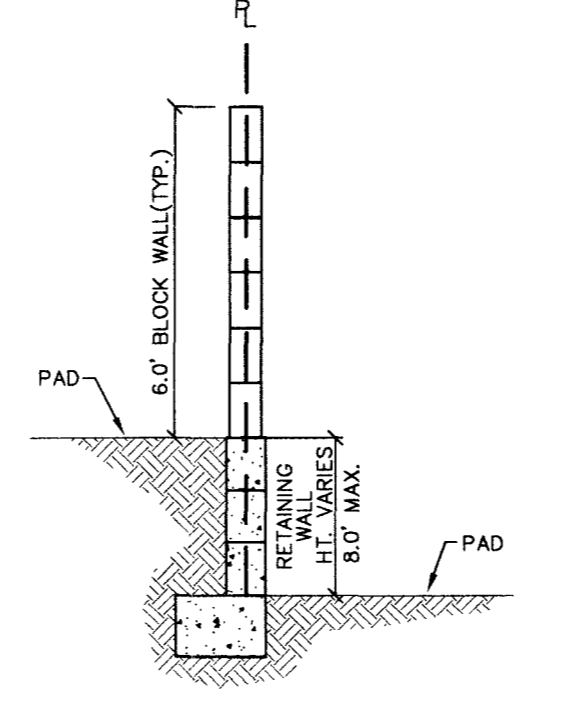
NOTE:
THE GRADES REPRESENTED ON THIS DETAIL REFLECT ONLY TYPICAL CURB SECTION RELATIONSHIPS. NO ACTUAL SLOPE WAS CONSIDERED.



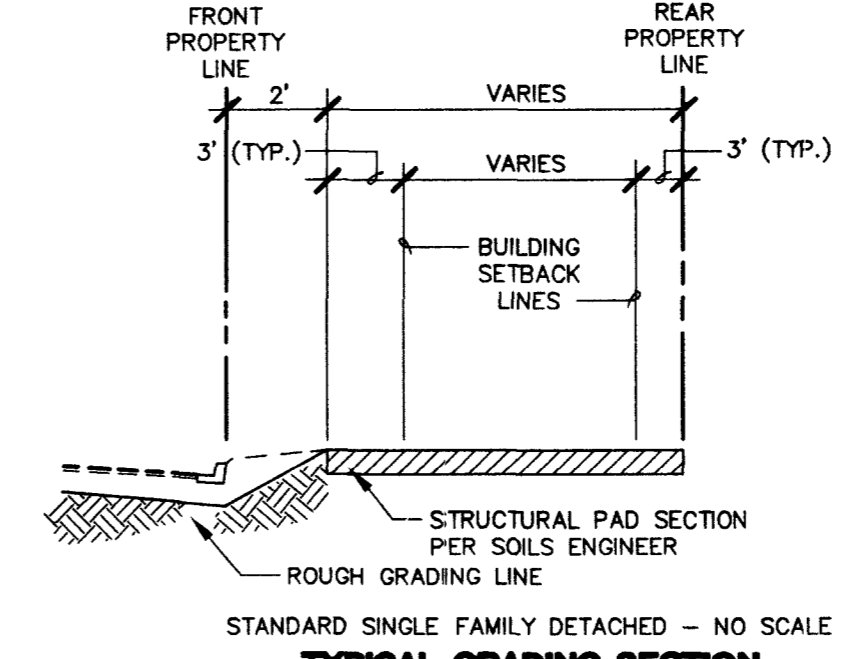
10' CURB TRANSITION DETAIL
N.T.S.



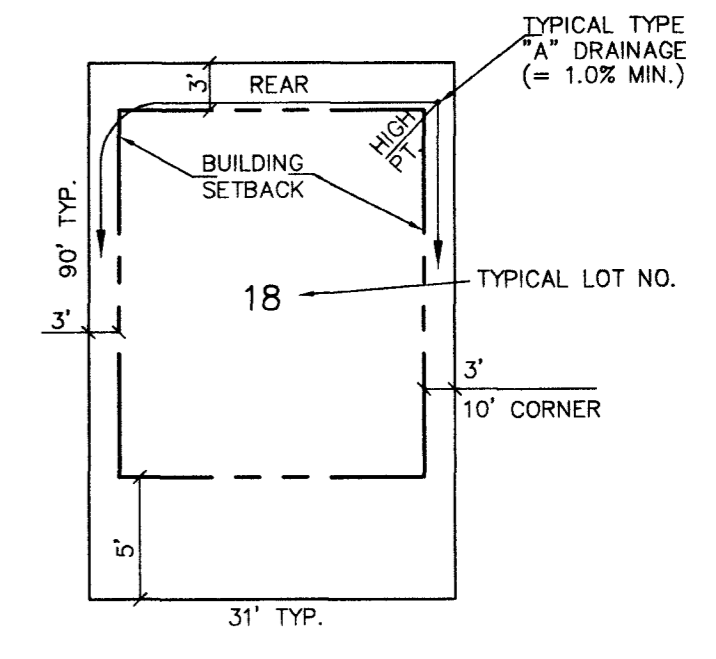
2' CONCRETE SWALE
N.T.S.



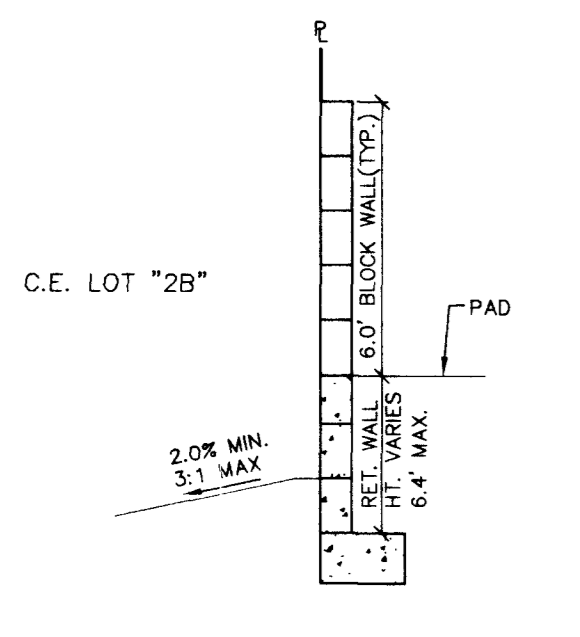
WALL SECTION
N.T.S.



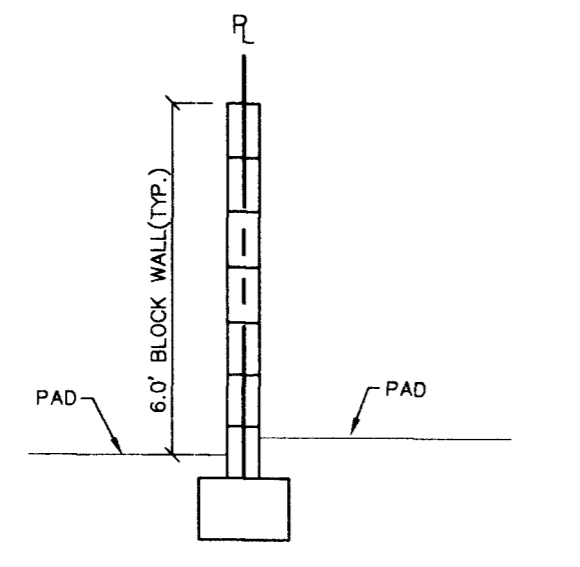
TYPICAL GRADING SECTION
STANDARD SINGLE FAMILY DETACHED - NO SCALE



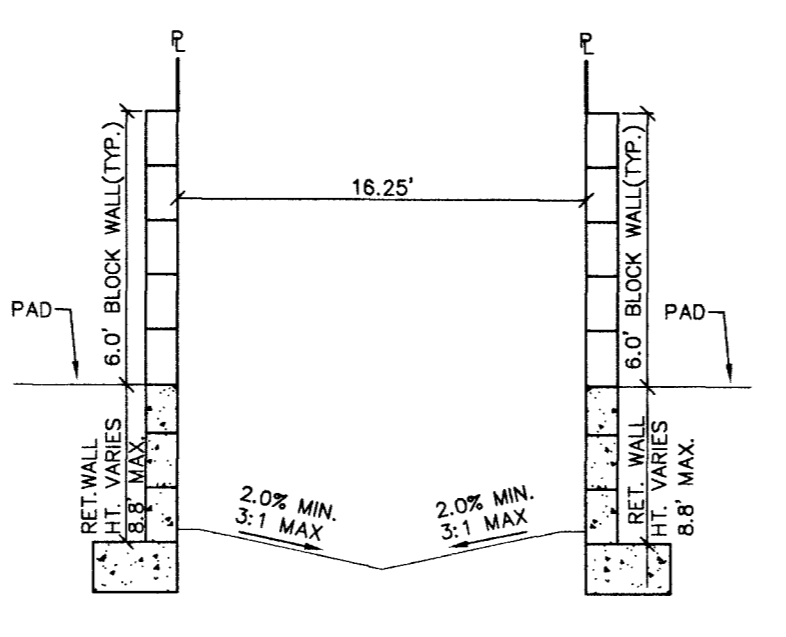
TYPICAL LOT DETAIL
NOT TO SCALE



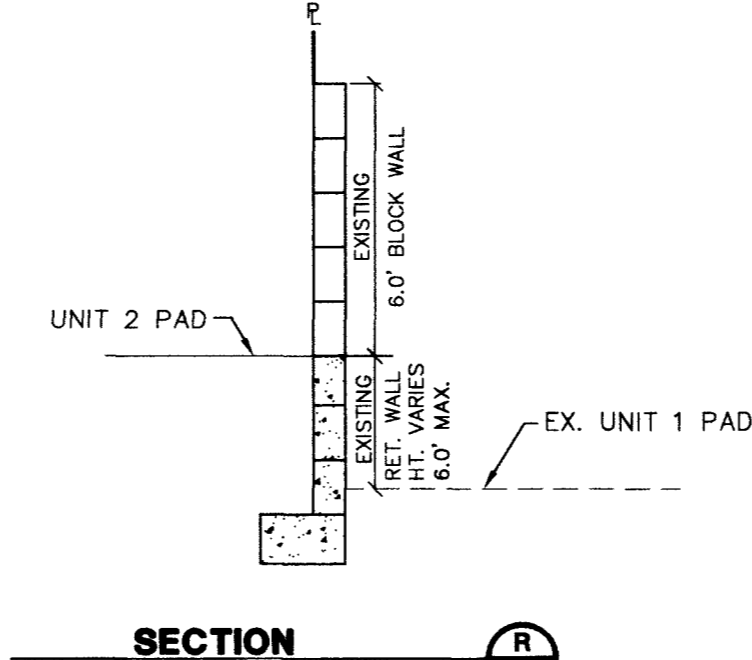
SECTION
N.T.S.



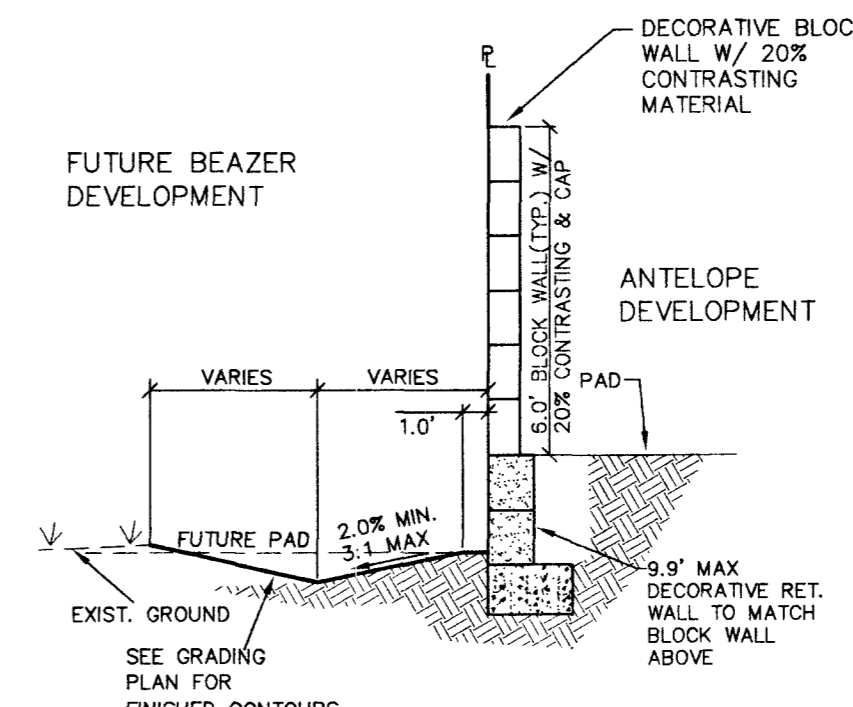
WALL SECTION
N.T.S.



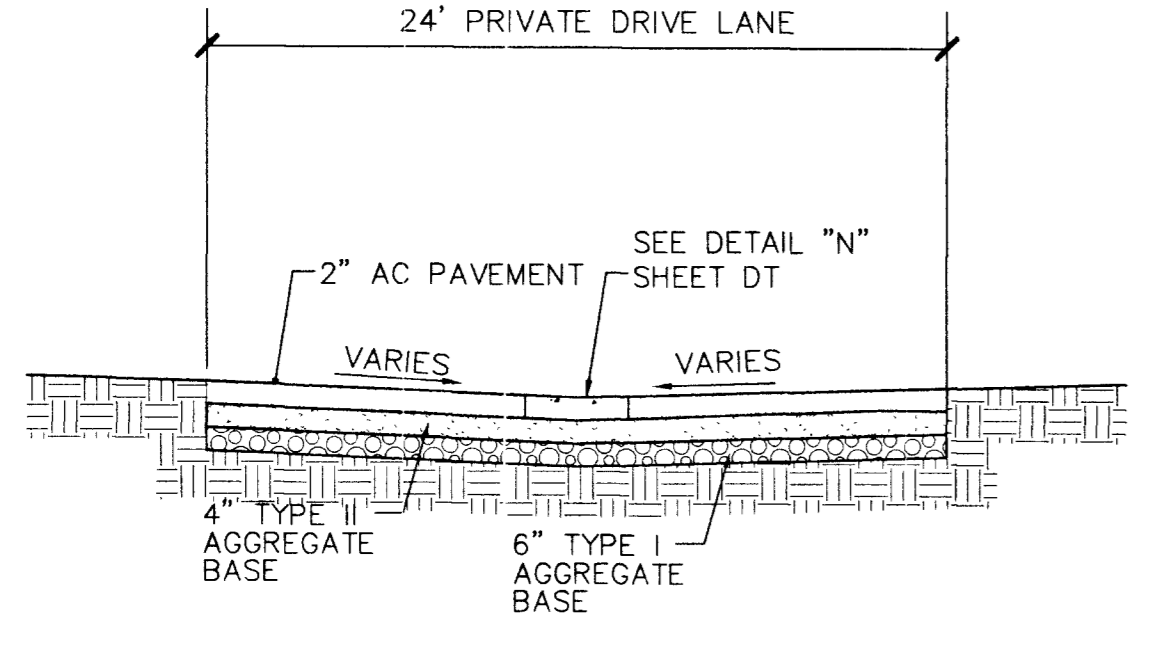
SECTION
N.T.S.



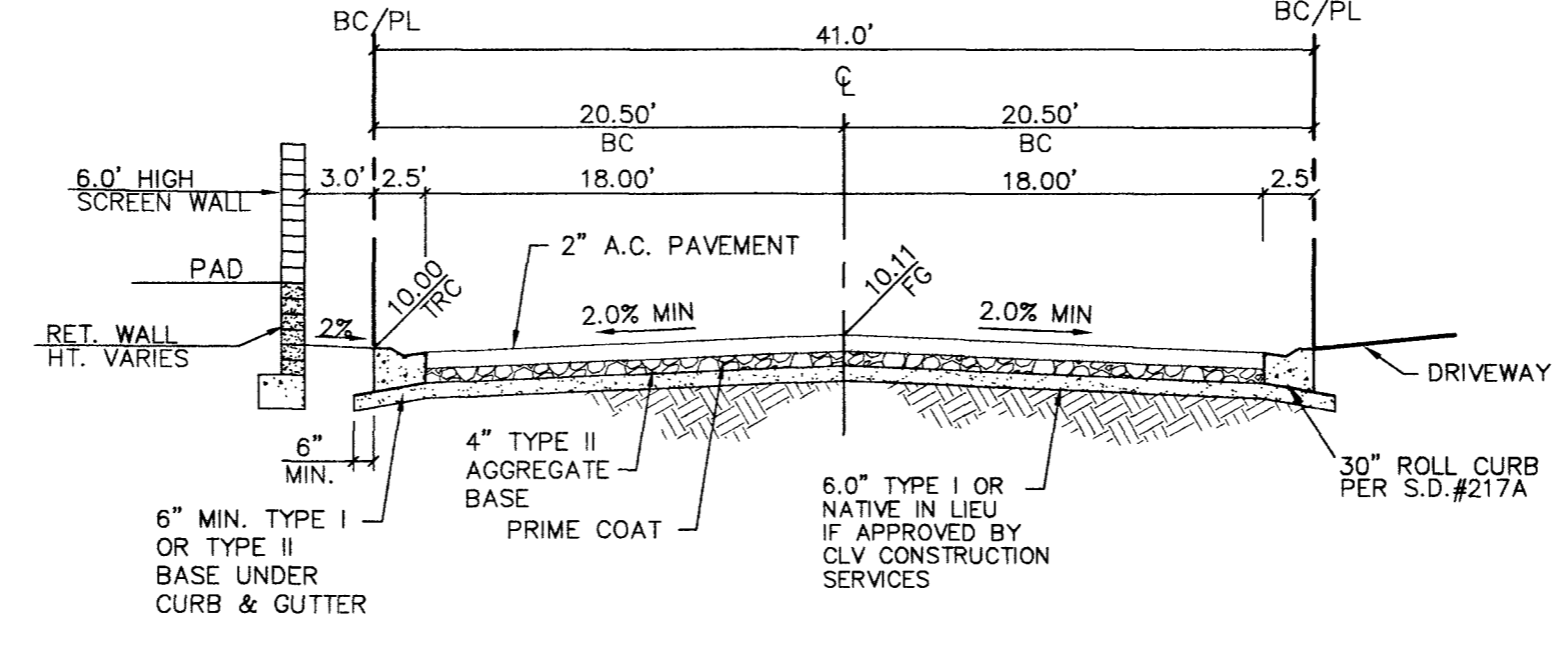
SECTION
N.T.S.



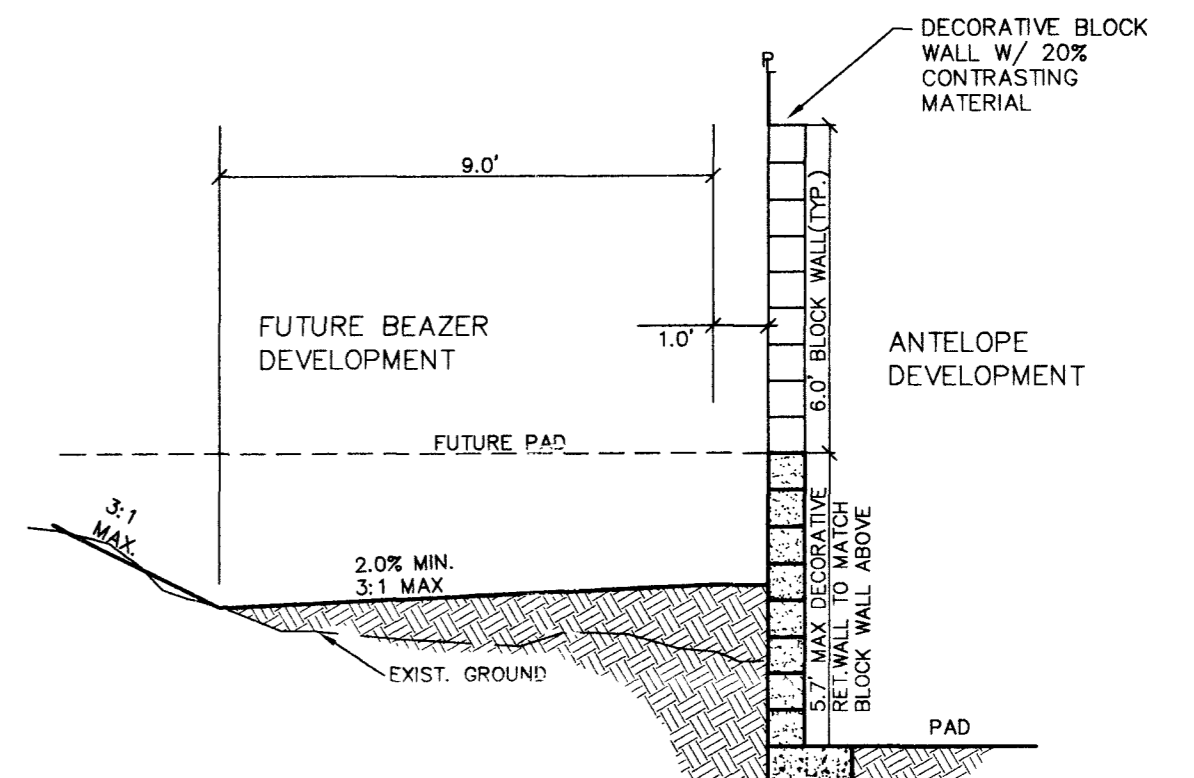
SECTION
N.T.S.



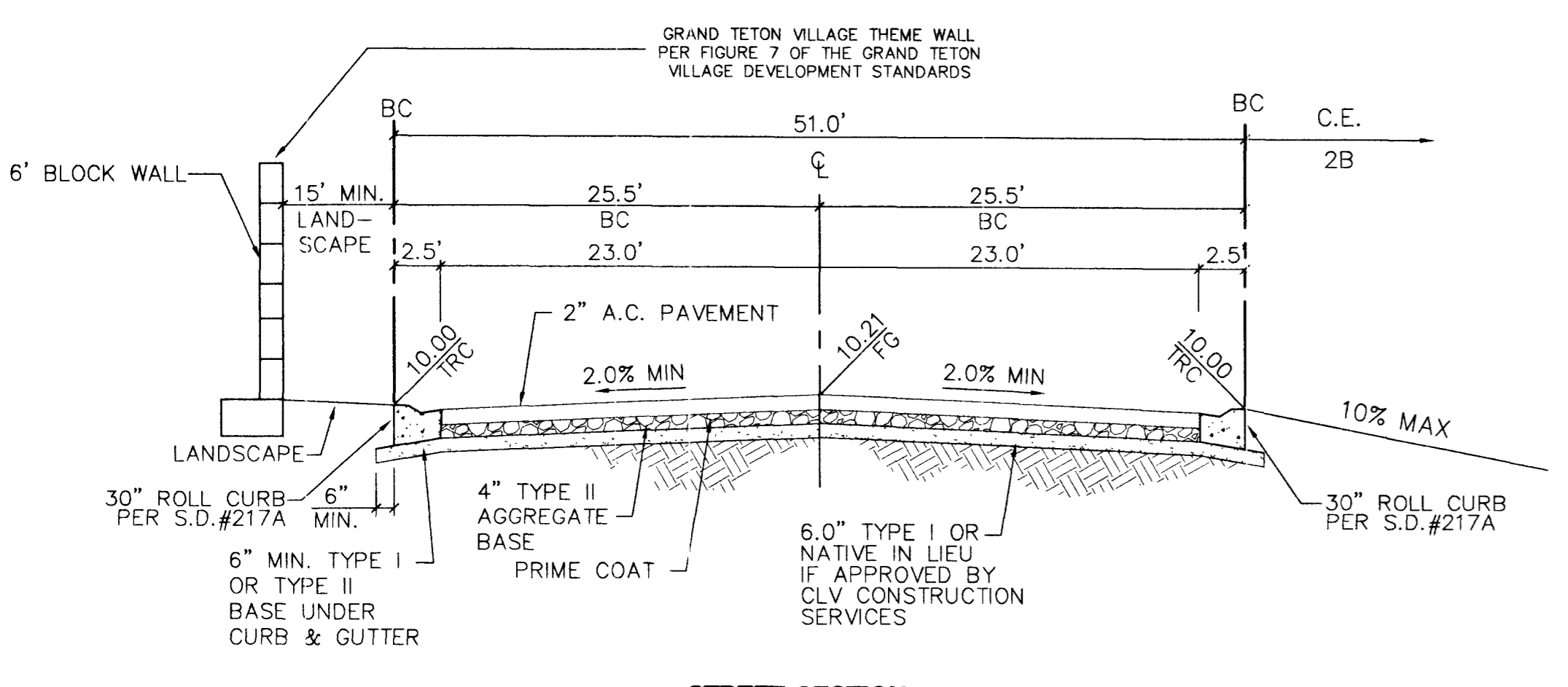
24' PRIVATE DRIVE LANE
N.T.S.



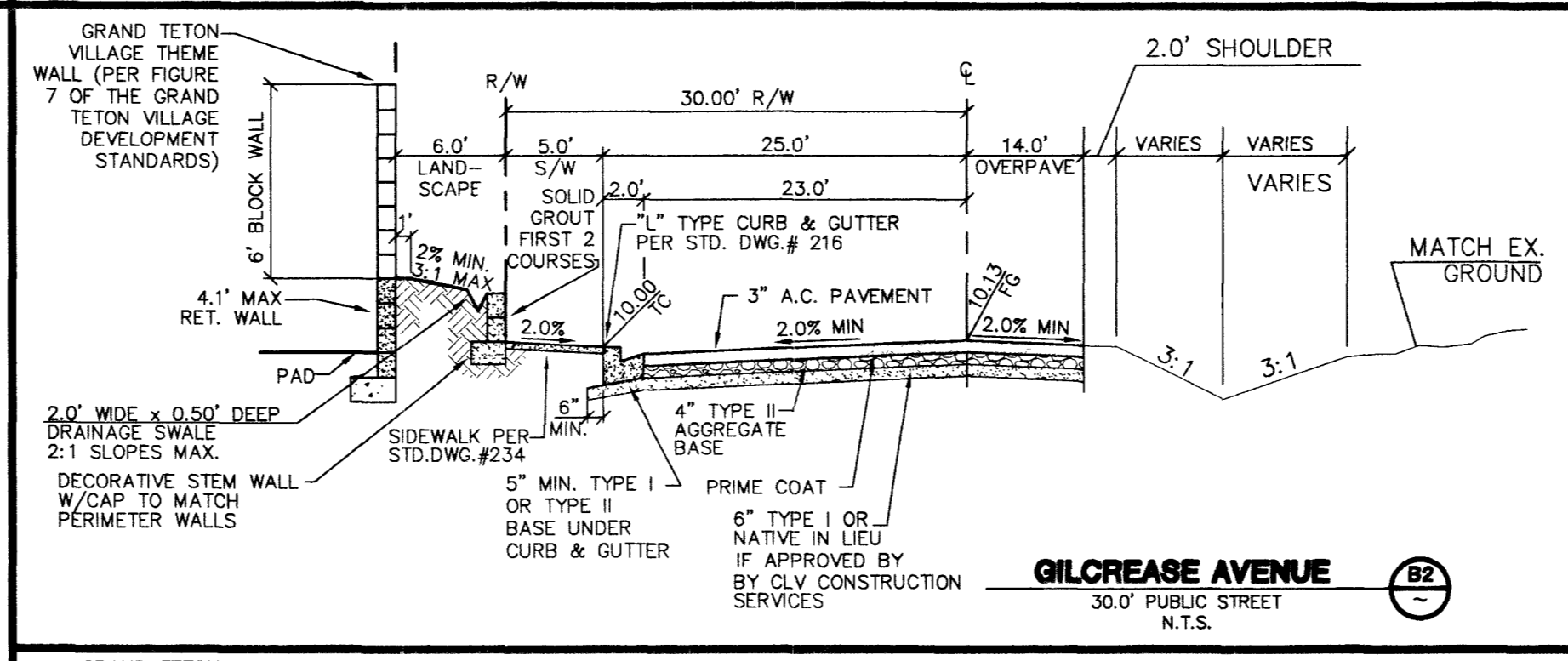
STREET SECTION
41' PRIVATE STREET
N.T.S.



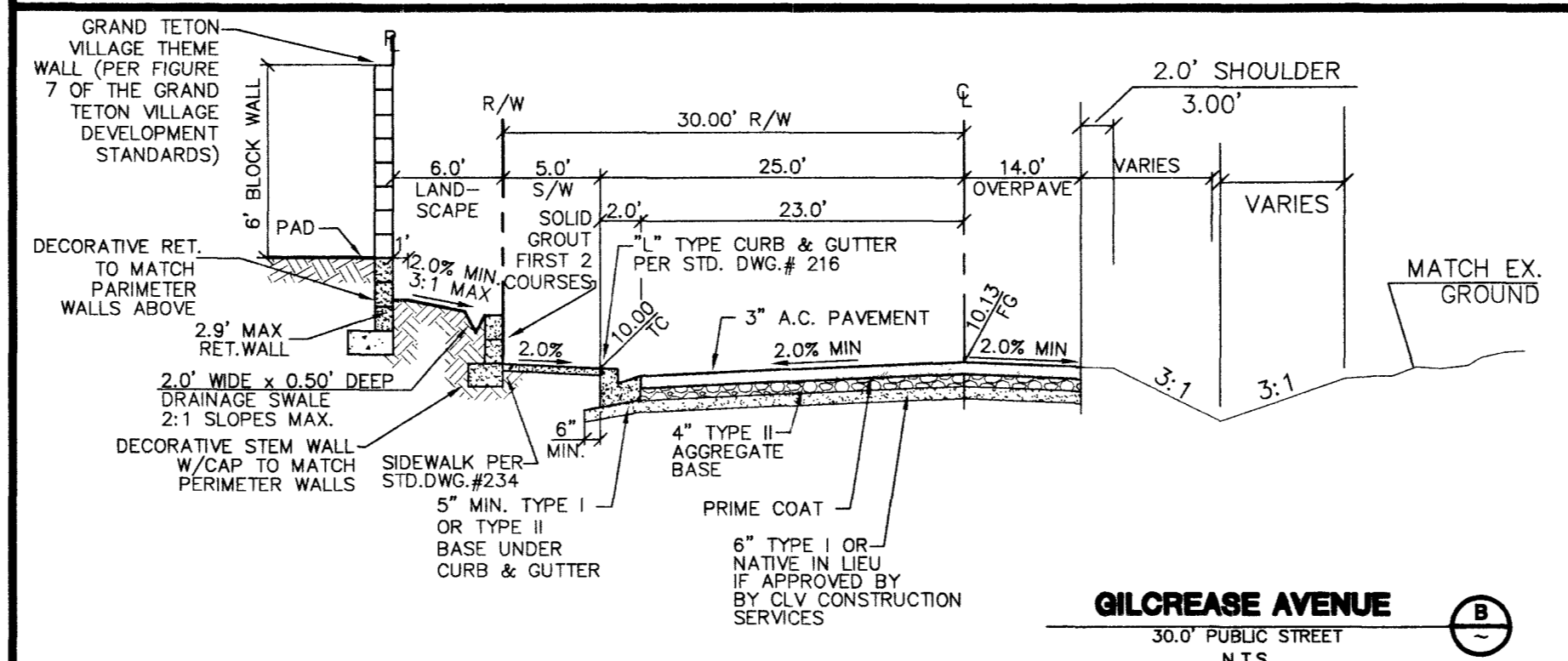
SECTION
N.T.S.



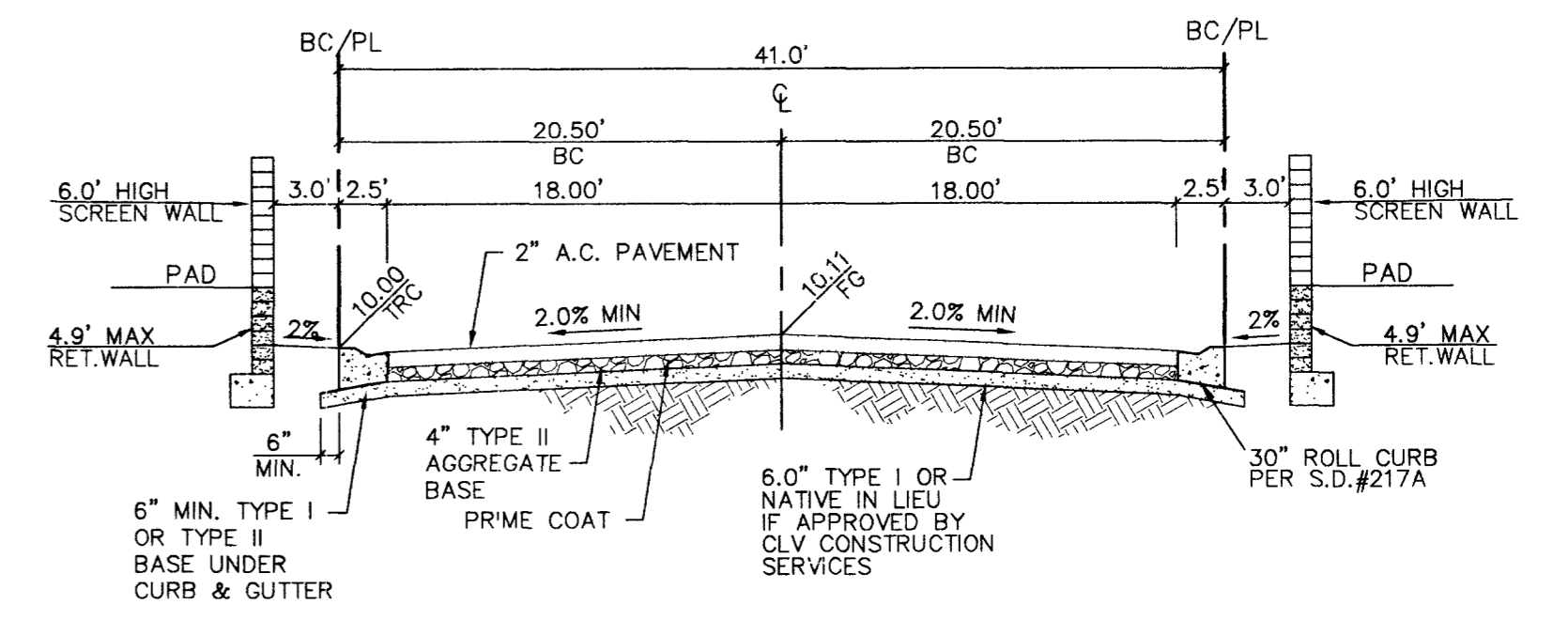
STREET SECTION
51' PRIVATE STREET
N.T.S.



GILCREASE AVENUE
30.0' PUBLIC STREET
N.T.S.



GILCREASE AVENUE
30.0' PUBLIC STREET
N.T.S.



STREET SECTION
41' PRIVATE STREET
N.T.S.

REVISION	DATE	BY

GREYSTONE HOMES
CITY OF LAS VEGAS, NEVADA
3785 E. SINSET BL
LAS VEGAS, NEVADA 89120
(702) 498-7700

2727 SOUTH RAINBOW BOULEVARD LAS VEGAS, NEVADA 89146-5148
PH. (702) 873-7550 FAX (702) 382-2597

CONSULTING ENGINEERS • PLANNERS • LAND SURVEYORS
nevada

TYPICAL STREET SECTION & GRADING DETAILS

ANTELOPE UNIT 2

DRAWN BY: AUG 2003
TLK

DESIGNED BY: AUG 2003
TLK

CHECKED BY: AUG 2003
CZ

PROJECT NO: N/A
63862-2

SCALE: N/A

PROFESSIONAL ENGINEER STATE OF NEVADA
AARON M. JAMACHKA
CIVIL
NO. 18079 VOL 11

EXP. 6/30/04

SHEET
DT1
9 OF 25 SHEETS
DRAWING NO.
10744781-2

64068

H:\B1774\DWG\UNITA\B177-201.DWG