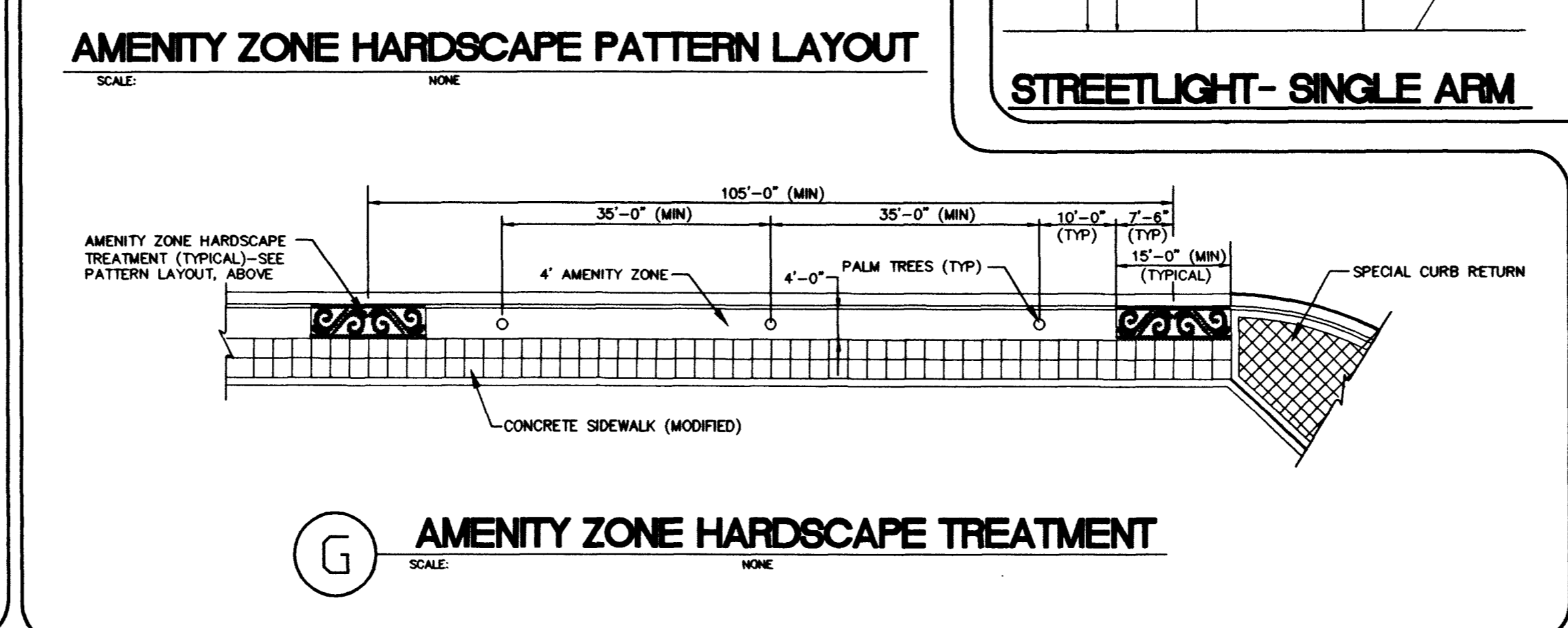
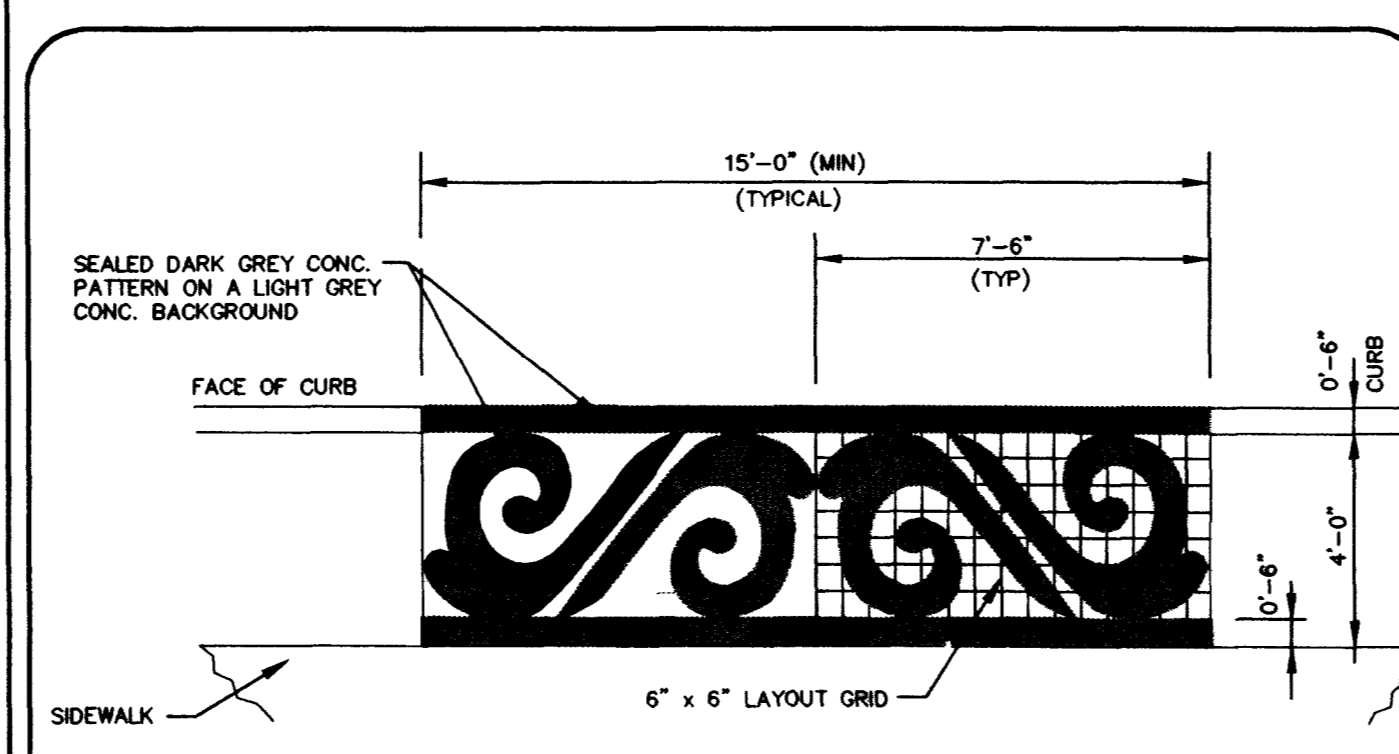
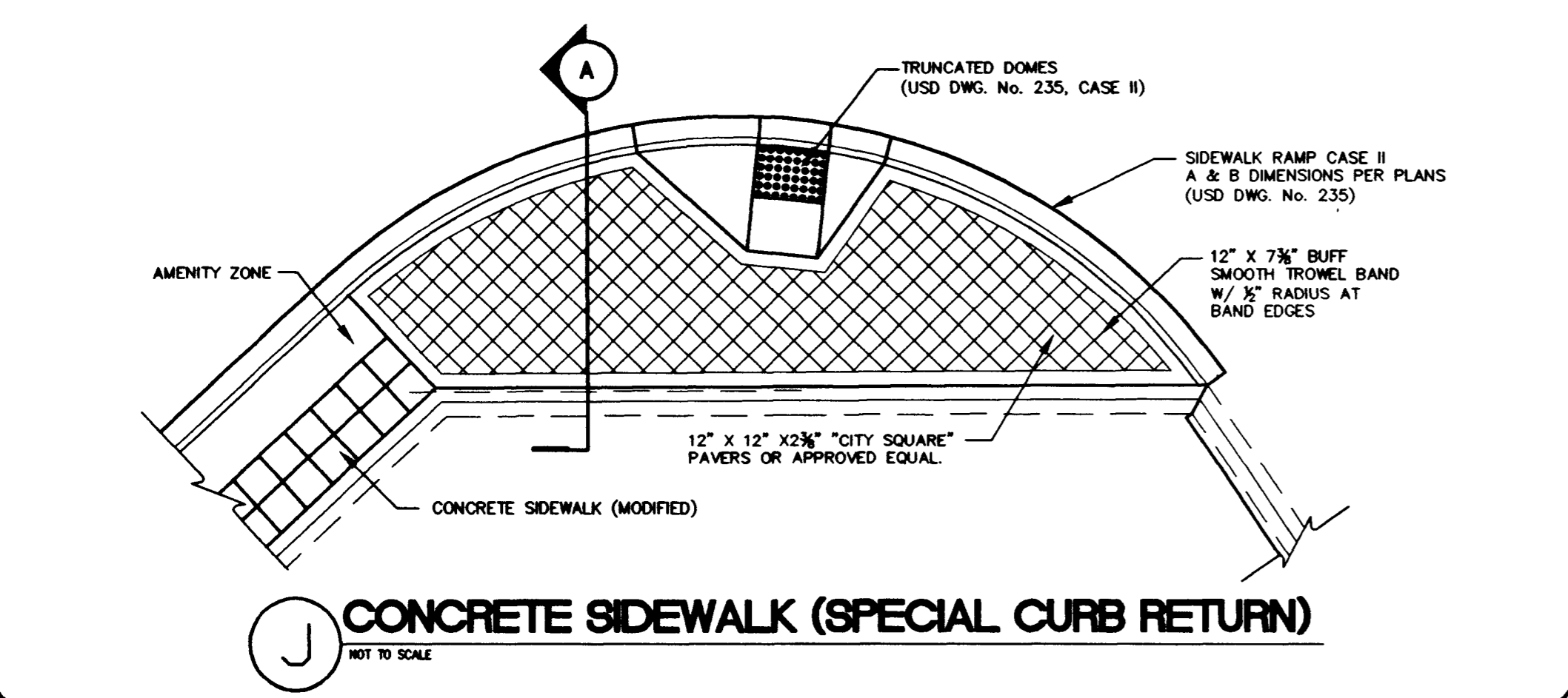
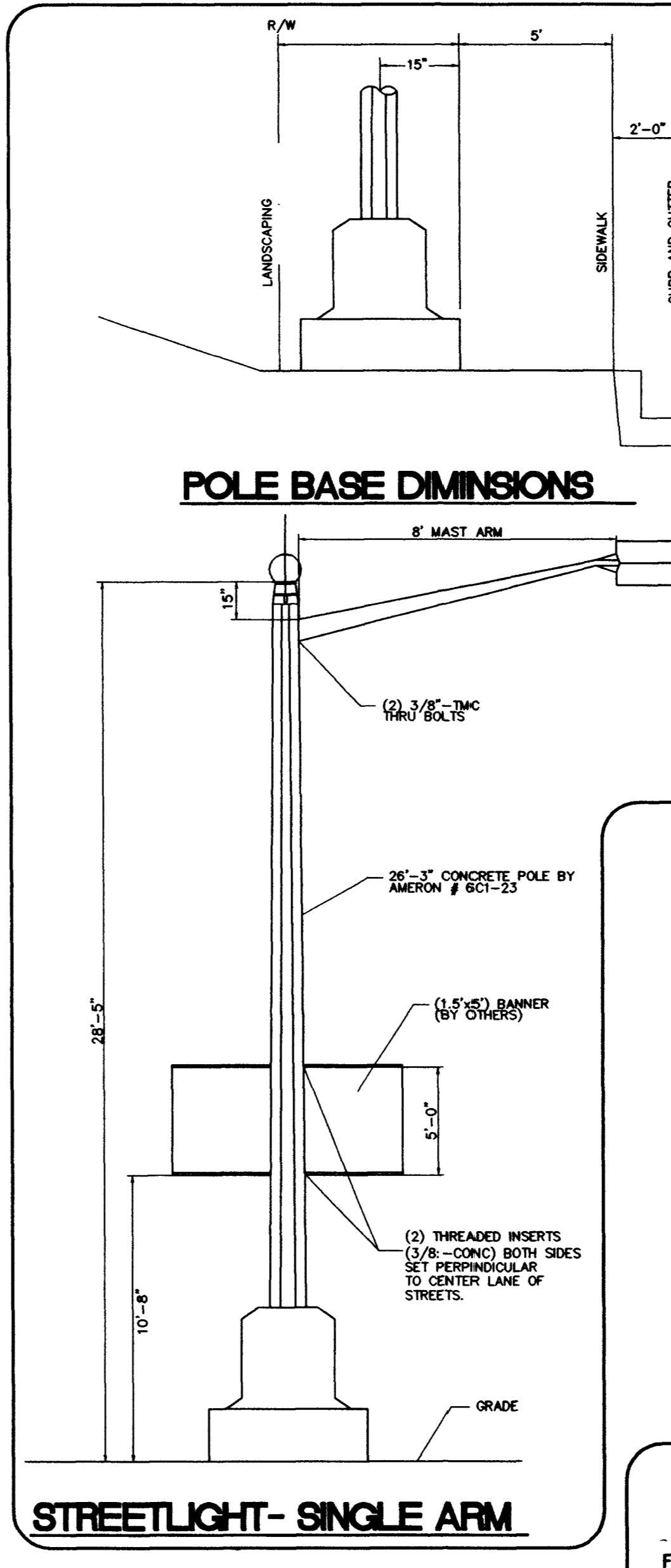
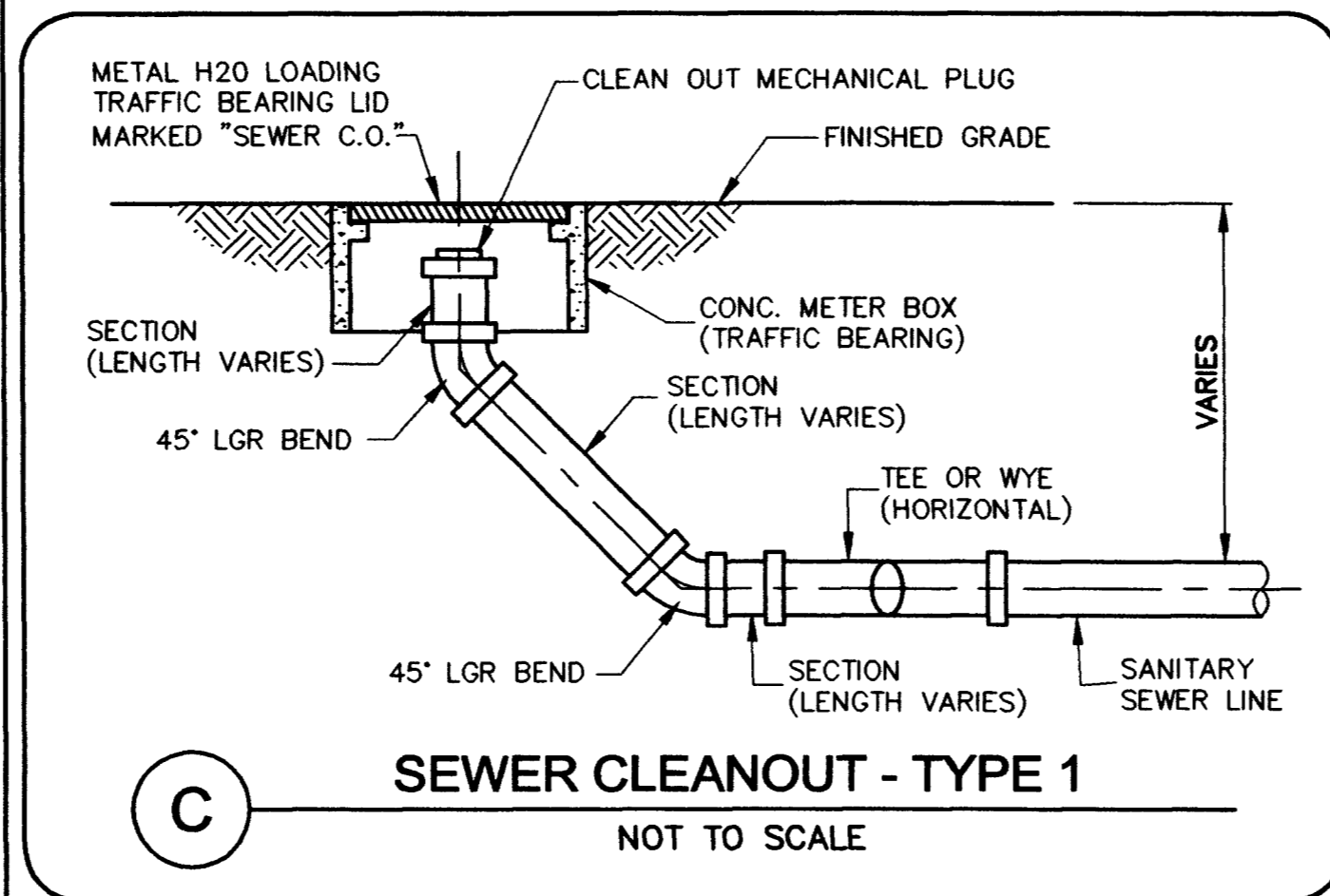
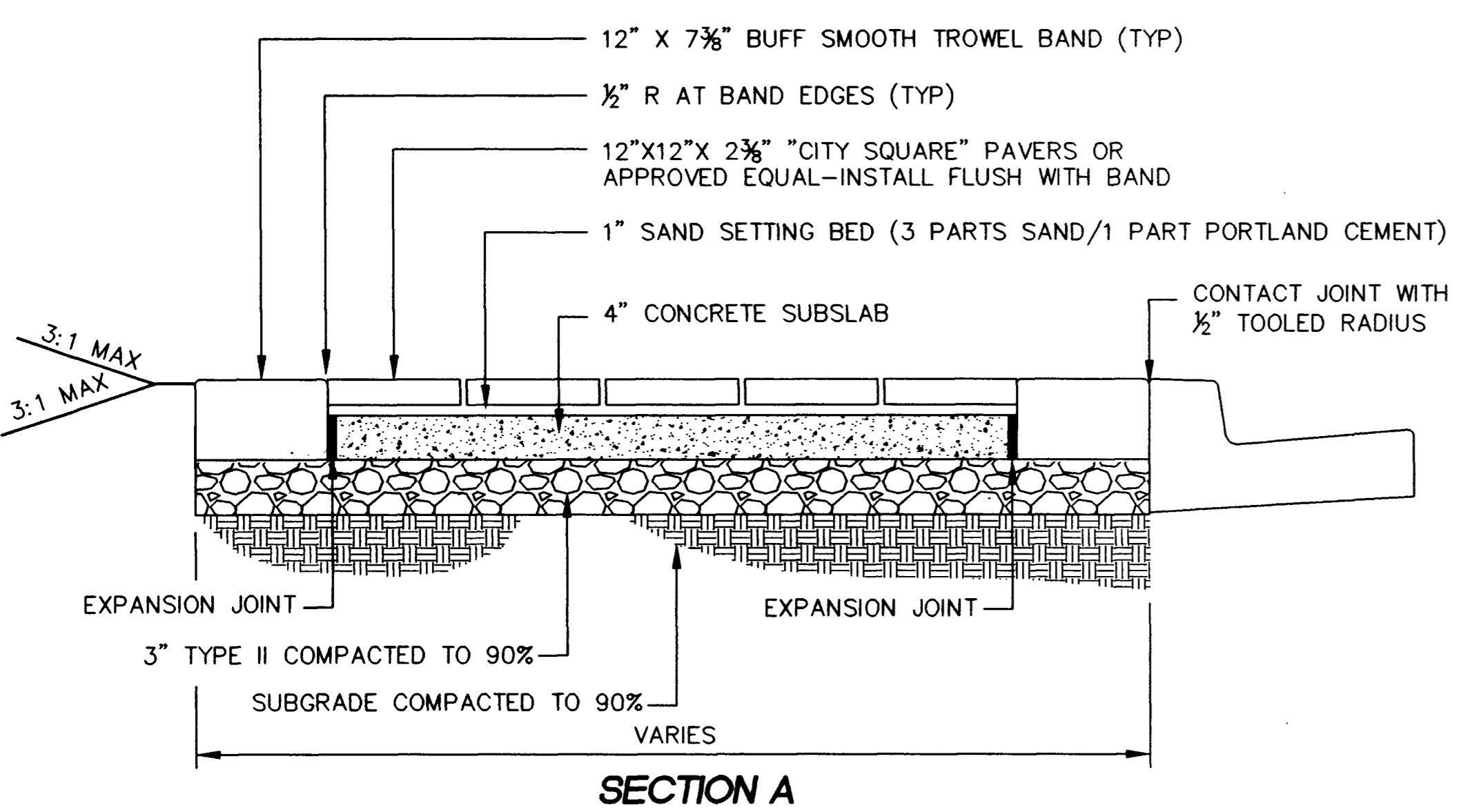
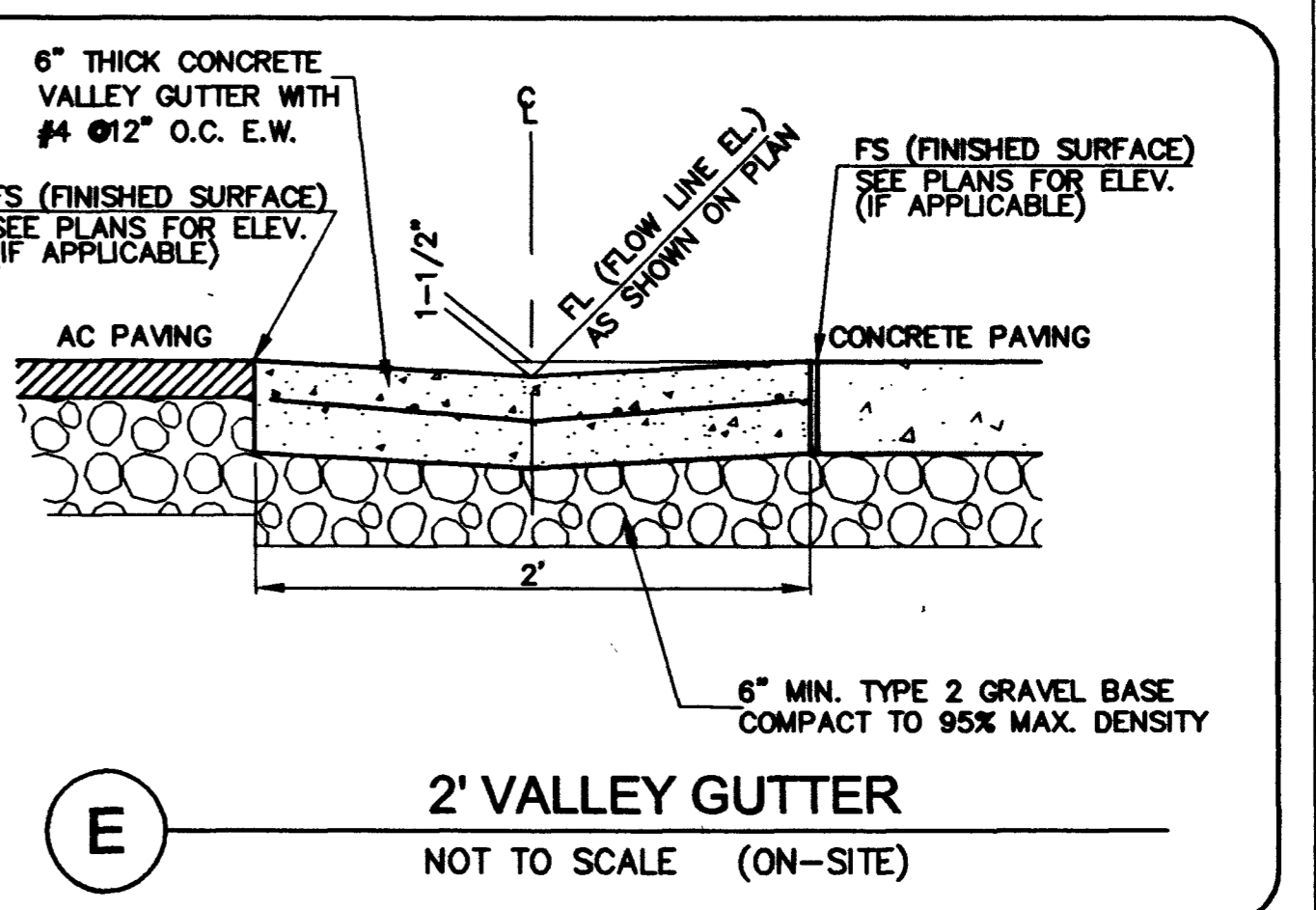
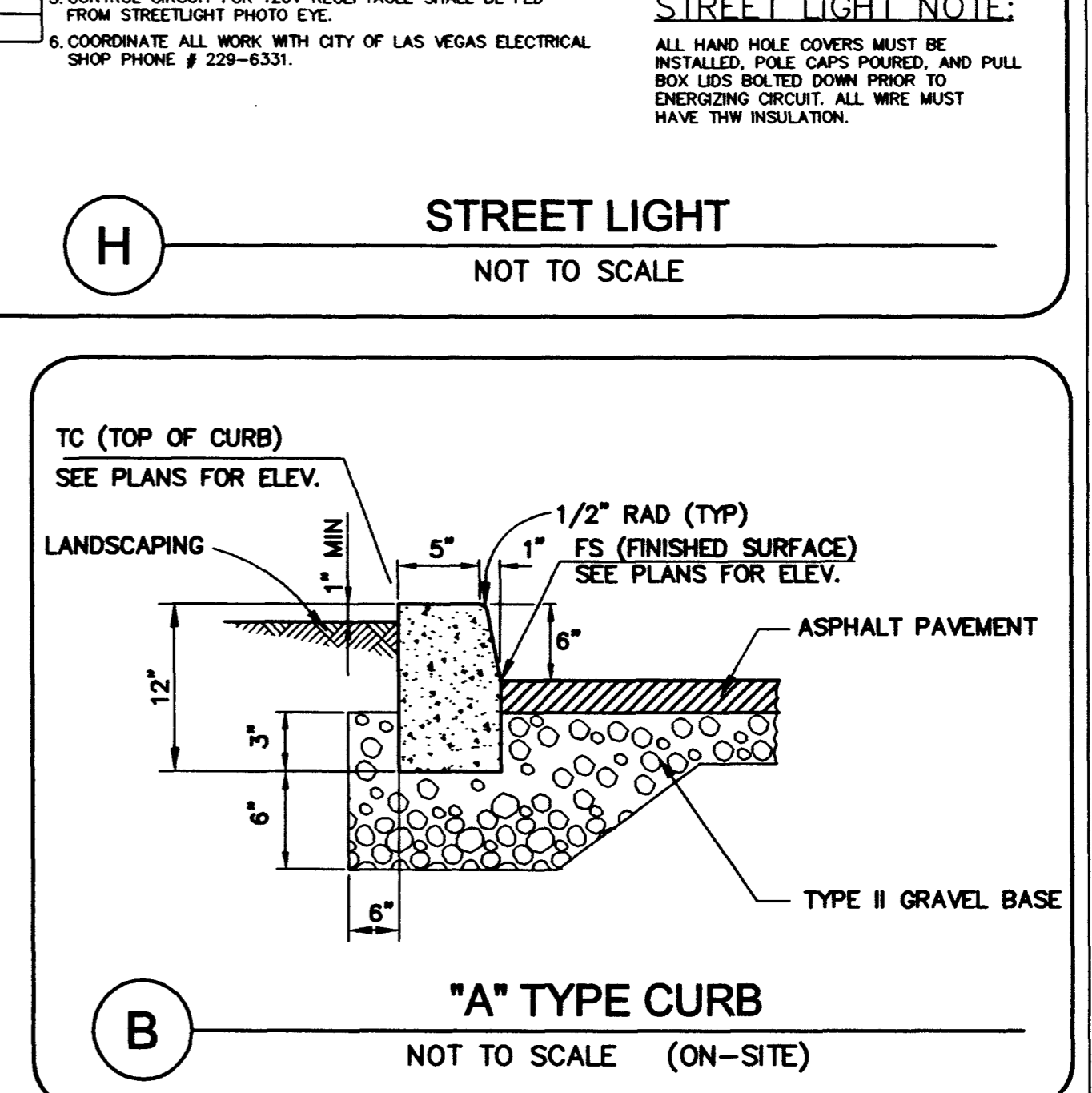


- NOTES:**
- ON ALL CURB RETURNS A 1/2" EXPANSION JOINT SHALL BE CONSTRUCTED BETWEEN THE BACK OF CURB AND THE SIDEWALK FOR THE ENTIRE LENGTH OF THE RETURN.
 - LONGITUDINAL WEAKENED PLANE JOINT (CONTROL JOINT) REQUIRED AT MIDPOINT OF SIDEWALK 10' OR WIDER.
 - SAND SWEEP ALL JOINTS—JOINTS BETWEEN PAVERS NOT TO EXCEED 1/8"



- NOTES:**
- PROVIDE 1/2 IN-LINE TWO POLE FUSEHOLDER WITH 10A FUSES AND (1) IN-LINE SINGLE POLE FUSE HOLDER WITH 10-A FUSES PER POLE LOCATED AT THE HANDHOLE.
 - WIRE FROM HANDHOLE TO 120V RECEPTACLE SHALL INCLUDE GROUND.
 - WIRING TO LUMINAIRES AND RECEPTACLE FROM HANDHOLE BE #10 THIN STR. (3 TOTAL)
 - 2" CONDUIT WITH 4-#4, 1-#6 THW WIRE (TYP)
 - CONTROL CIRCUIT FOR 120V RECEPTACLE SHALL BE FED FROM STREETLIGHT PHOTO EYE.
 - COORDINATE ALL WORK WITH CITY OF LAS VEGAS ELECTRICAL SHOP PHONE # 229-6331.
- STREET LIGHT NOTE:**
ALL HAND HOLE COVERS MUST BE INSTALLED. POLE CAPS POURED, AND PULL BOX LIDS BOLTED DOWN PRIOR TO ENERGIZING CIRCUIT. ALL WIRE MUST HAVE THW INSULATION.



PROJ NO. A203084
DESIGN: DPB
DATE: 12/23/03
SCALE: AS SHOWN
CAD FILE: ca C7.dwg

REGISTERED PROFESSIONAL ENGINEER STATE OF NEVADA
PATRICK BROWN
EXP. 12/31/04
CIVIL
NO. 15581

STAMP DATE: 12/23/03
EXPIRE DATE: 12/31/04

3320 N. Buffalo Drive
Suite 106
Las Vegas, NV 89102-7410
Tel: 702-396-3445
Fax: 702-396-3759
Web: aztec.us

AZTEC

CENTENNIAL ACADEMY
GRAND MONTECITO PKY. & N. DURANGO DR.
CONSTRUCTION DETAILS

SHEET
C7
7 of 8 Sheets
c/v# 716-155

62453