

APPROVED FOR CONSTRUCTION

(SEE BELOW)

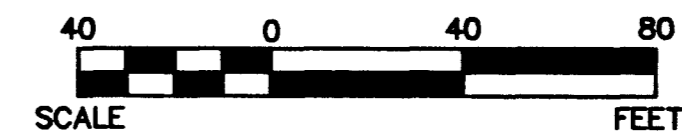
CITY OF LAS VEGAS FIRE MARSHAL DATE
Approval by the Fire Department having jurisdiction is required PRIOR to obtaining final approval from the LVVWD.

CONSTRUCTION NOTES

EXISTING DUAL HEAD 150 WATT HPS LUMINAIRE

NOTICE TO CONTRACTORS

EXISTING UTILITY LOCATIONS SHOWN HEREON ARE APPROXIMATE ONLY. LOCATIONS OF UTILITIES, LINES, AND STRUCTURES HAVE BEEN DETERMINED BY SURFACE INDICATIONS AND THE BEST INFORMATION AVAILABLE FROM UTILITY COMPANIES. IT SHALL BE THE CONTRACTOR'S RESPONSIBILITY TO DETERMINE THE EXACT VERTICAL AND HORIZONTAL LOCATION OF ALL EXISTING UNDERGROUND AND ABOVE GROUND UTILITIES, LINES, AND STRUCTURES PRIOR TO COMMENCING CONSTRUCTION. NO REPRESENTATION IS MADE THAT ALL EXISTING UTILITIES ARE SHOWN HEREON. AZTEC ENGINEERING ASSUMES NO RESPONSIBILITY FOR UTILITIES NOT SHOWN. UTILITIES NOT SHOWN IN THEIR PROPER LOCATIONS, AND UTILITIES NOT OF RECORD. THE CONTRACTOR SHALL POT HOLE AND FIELD VERIFY ALL UTILITIES PRIOR TO COMMENCING CONSTRUCTION. IF DISCREPANCIES IN UTILITY LOCATIONS ARE DISCOVERED DURING FIELD VERIFICATION, IT IS THE CONTRACTOR'S RESPONSIBILITY TO IMMEDIATELY NOTIFY AZTEC ENGINEERING. CALL BEFORE YOU DIG: 1-800-227-2600 CALL BEFORE YOU DO OVERHEAD: (702) 583-6111



DEVELOPER/OWNER

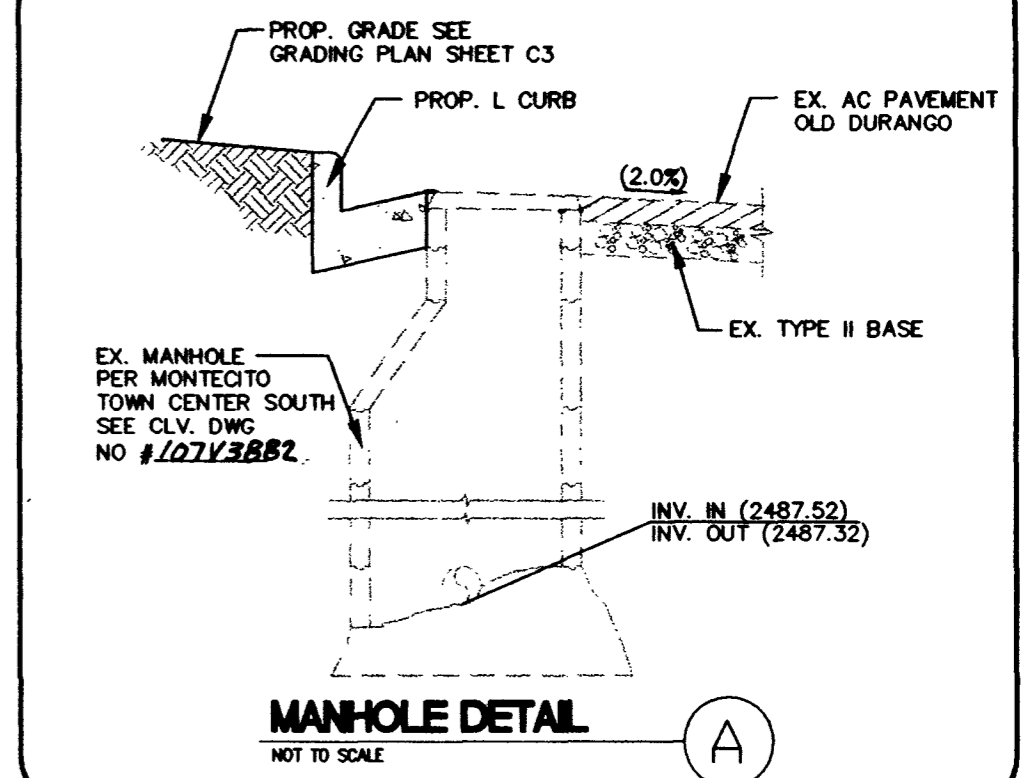
ROYAL CONSTRUCTION COMPANY
3320 NORTH BUFFALO DRIVE
SUITE 208
LAS VEGAS, NEVADA 89129
PHONE: 702-873-7773
FAX: 702-395-7111



1-702-583-6111



1-800-227-2600



MANHOLE DETAIL

SEWER CONSTRUCTION NOTES

- 1 INSTALL 6" PVC SEWER LATERAL PER DCSWCS NO.S SD-17, SD-16 AND SD-16B.
2 SEE ARCHITECTURAL PLAN FOR CONTINUATION.
3 INSTALL SEWER BACKWATER VALVE PER DCSWCS STD DWG NO. SD-29.

QUANTITIES PUBLIC PRIVATE

Table with 3 columns: Item, Public, Private. Row 1: 0 LF, 155 LF. Row 2: N/A, N/A. Row 3: 0 EA, 1 EA.

WATER CONSTRUCTION NOTES

- 1 INSTALL FIRE HYDRANT ASSEMBLY PER UDACS PLATE NO. 7.
2 INSTALL 2" RPPA PER UDACS PLATE NO. 11A.
3 INSTALL 2" DOMESTIC SERVICE AND METER PER UDACS PLATE NO. 10.
4 INSTALL 8" DCDA PER UDACS PLATE NO. 11C.
5 INSTALL 2" C-900 PVC POTABLE WATER LINE PER UDACS PLATE NO. 6A.
6 INSTALL 8" ~ 22.5" BEND PER UDACS PLATE NO. 5.
7 SEE ARCHITECTURAL PLAN FOR CONTINUATION.
8 INSTALL 8" C-900 PVC WATER LINE PER UDACS PLATE NO. 6A.
9 INSTALL 8" TO 6" REDUCER.
10 INSTALL 8"x8" M.J. TAPPING SLEEVE WITH 8" TAPPING VALVE PER UDACS PLATE NO. 22.
11 INSTALL 2" ~ 45" BEND PER UDACS PLATE NO. 5.
12 INSTALL 2" BRASS POTABLE WATER LINE PER UDACS PLATE NO. 22.
13 INSTALL 8" x 8" x 6" TEE W/ 6" GATE VALVE.
14 INSTALL 6" C-900 PVC WATER LINE PER UDACS PLATE NO. 6A.
15 INSTALL 8" GATE VALVE PER UDACS PLATE NO. 8.
16 REMOVE CAP AND BLOW OFF AND INSTALL 10" x 10" TEE (CUT/STUB BACK AS REQUIRED).
17 INSTALL 8" ~ 90" BEND PER UDACS PLATE NO. 5.
18 INSTALL CAP & BLOW-OFF PER UDACS PLATE NO. 4A.
19 INSTALL 10" GATES FOR UTILITY MAINTENANCE ACCESS.
20 INSTALL FIRE SPRINKLER RISER, SEE PLUMBING FOR CONTINUATION.
21 INSTALL 2" ~ 90" BEND PER UDACS PLATE NO. 5.
22 INSTALL 8" ~ 45" BEND PER UDACS PLATE NO. 5.
23 INSTALL 10" GATE VALVE PER UDACS PLATE NO. 8.
24 INSTALL 10" x 8" REDUCER.
25 INSTALL 6" ~ 90" BEND PER UDACS PLATE NO. 5.
26 INSTALL 6" GATE VALVE PER UDACS PLATE NO. 8.

QUANTITIES PUBLIC PRIVATE

Table with 3 columns: Item, Public, Private. Rows 1-26 listing various pipe and valve quantities.

LEGAL DESCRIPTION

A PORTION OF THE NORTHEAST QUARTER (NE1/4) OF THE SOUTHWEST QUARTER (SE1/4) OF SECTION 20, TOGETHER WITH A PORTION OF THE SOUTHWEST QUARTER (SE1/4) OF THE SOUTHWEST QUARTER (SE1/4) OF SECTION 20, TOWNSHIP 19 SOUTH, RANGE 60 EAST, M.D.M., CITY OF LAS VEGAS, NEVADA

BENCHMARK

CITY OF LAS VEGAS BENCHMARK 8LV90 20C4-RIVET AND PLATE IN CONCRETE CYLINDER AT SOUTHWEST CORNER OF DEER SPRINGS AND EL CAPITAL. ELEVATION = 784.0642 METERS (2572.38 FEET) NAVD '88 DATUM.

APN NUMBER

APO APN: 125-20-803-004, 125-20-704-003, -004

APPROVED FOR CONSTRUCTION

LAS VEGAS VALLEY WATER DISTRICT (PROJECT# 27738) DATE

BASIS OF BEARINGS

BASIS OF BEARING: SOUTH 00°15'48" WEST, BEING THE CENTERLINE OF DURANGO DRIVE. NORTH 89°56'24" EAST, BEING THE BEARING OF THE NORTH LINE OF THE NORTHEAST QUARTER (NE 1/4) OF THE SOUTHWEST QUARTER (SE 1/4) OF SECTION 20, TOWNSHIP 19 SOUTH, RANGE 60 EAST, M.D.M., AS SHOWN ON A MAP ON FILE IN THE CLARK COUNTY, NEVADA RECORDER'S OFFICE AS FILE 107, PAGE 31 OF SURVEYS.

ABANDONED VALVE CUT AND CAP

ALL VALVES TO BE ABANDONED SHALL BE ABANDONED IN THE CLOSED POSITION UNLESS SHOWN OTHERWISE. BY REMOVING A MINIMUM OF THE TOP TWENTY-FOUR (24) INCHES OF THE VALVE BOX, AND THEN FILLING THE BOTTOM OF THE BOX WITH A MINIMUM OF EIGHT (8) INCHES OF SAND OR TYPE II AGGREGATE BASE, THE REMAINING PORTION OF THE VALVE BOX SHALL BE FILLED WITH CONCRETE HAVING A COMPRESSIVE STRENGTH OF AT LEAST (2,000) PSI. THE LATERAL MUST BE CUT WITHIN (3) FEET OF THE ABANDONED VALVE, OR AT AS SHOWN ON PLANS, AND CAPPED. THE CONTRACTOR SHALL CUT THE EXISTING PIPE WHERE SHOWN ON THE DRAWINGS AND INSTALL A CAP COMPLETE WITH THRUST BLOCK. WHERE A JOINT OR COUPLING IN THE EXISTING PIPE IS UNCOVERED AT THE CUT AND CAP LOCATIONS, THE INSTALLATION OF A PLUG MAY BE PERMITTED WITH DISTRICT APPROVAL. A CONCRETE THRUST BLOCK SHALL BE INSTALLED AT ALL CAP OR PLUG LOCATIONS IN ACCORDANCE WITH THE PROVISIONS OF UDACS PLATE 5. ESN.033

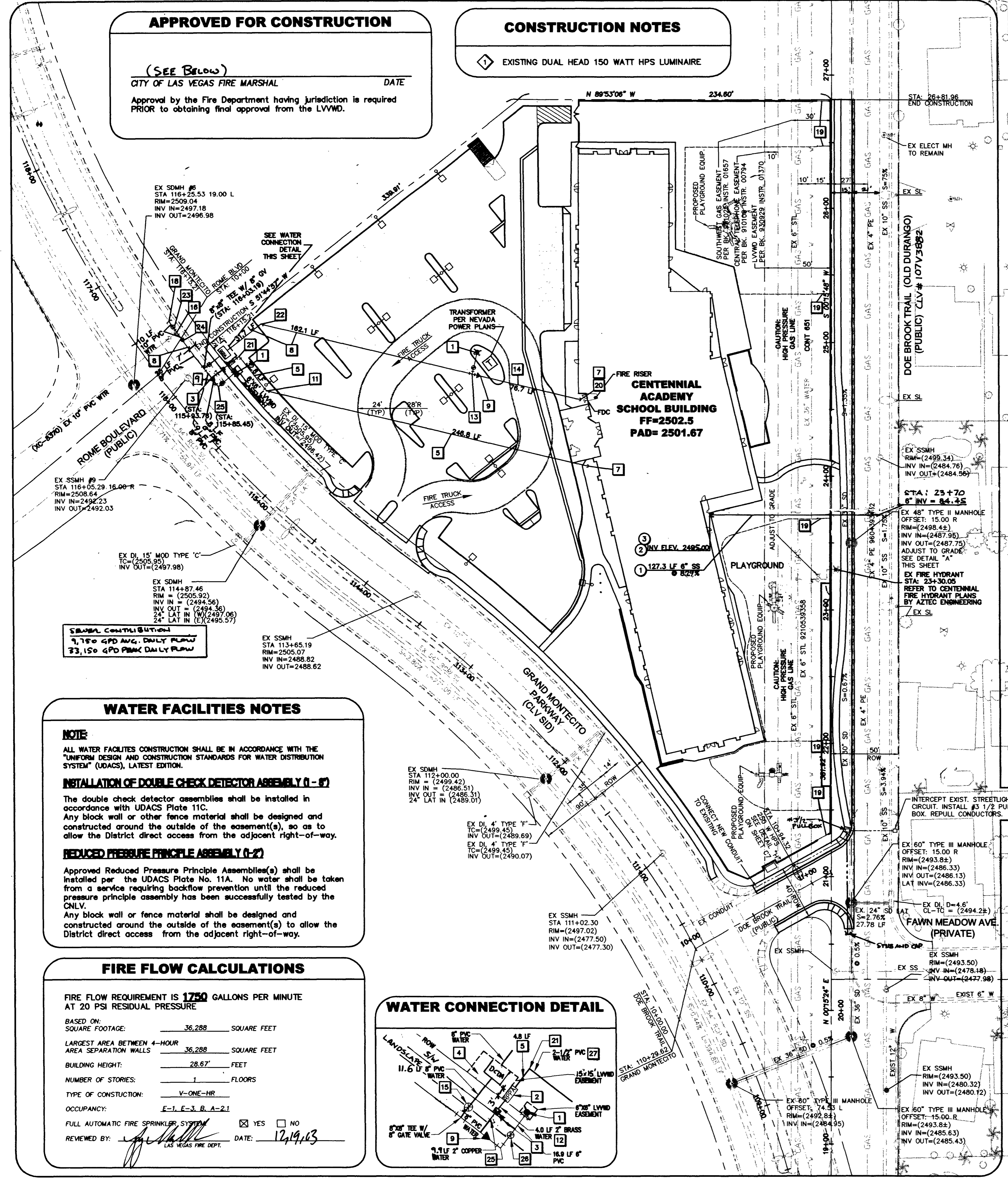
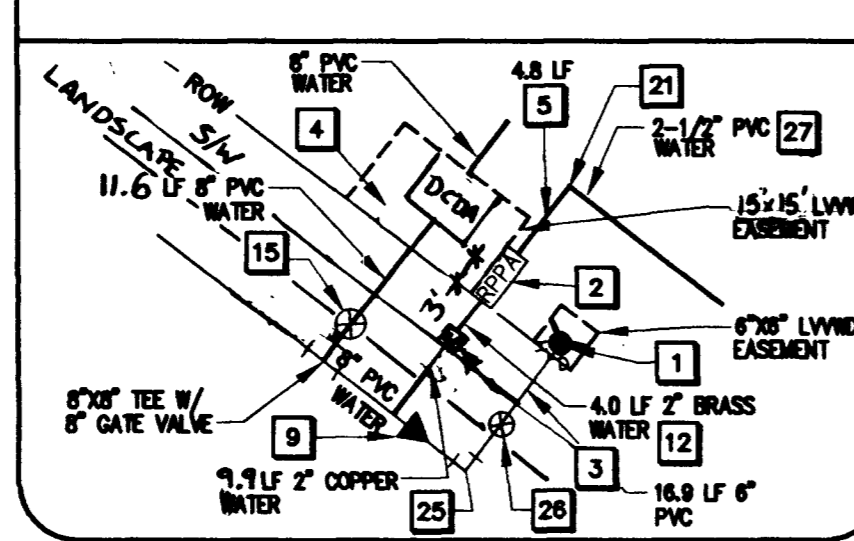
WATER FACILITIES NOTES

NOTE
ALL WATER FACILITIES CONSTRUCTION SHALL BE IN ACCORDANCE WITH THE "UNIFORM DESIGN AND CONSTRUCTION STANDARDS FOR WATER DISTRIBUTION SYSTEM" (UDACS), LATEST EDITION.
INSTALLATION OF DOUBLE CHECK DETECTOR ASSEMBLY (1-17)
The double check detector assemblies shall be installed in accordance with UDACS Plate 11C. Any block wall or other fence material shall be designed and constructed around the outside of the easement(s), so as to allow the District direct access from the adjacent right-of-way.
REDUCED PRESSURE PRINCIPLE ASSEMBLY (1-27)
Approved Reduced Pressure Principle Assemblies(a) shall be installed per the UDACS Plate No. 11A. No water shall be taken from a service requiring backflow prevention until the reduced pressure principle assembly has been successfully tested by the CNLV. Any block wall or fence material shall be designed and constructed around the outside of the easement(s) to allow the District direct access from the adjacent right-of-way.

FIRE FLOW CALCULATIONS

FIRE FLOW REQUIREMENT IS 1750 GALLONS PER MINUTE AT 20 PSI RESIDUAL PRESSURE
BASED ON:
SQUARE FOOTAGE: 36,288 SQUARE FEET
LARGEST AREA BETWEEN 4-HOUR AREA SEPARATION WALLS: 36,288 SQUARE FEET
BUILDING HEIGHT: 28.67 FEET
NUMBER OF STORIES: 1 FLOORS
TYPE OF CONSTRUCTION: V-ONE-HR
OCCUPANCY: E-1, E-3, B, A-2, I
FULL AUTOMATIC FIRE SPRINKLER SYSTEM: YES
REVIEWED BY: [Signature] DATE: 12/19/13

WATER CONNECTION DETAIL



Vertical sidebar containing project information: PROJ NO. AZ03094, DESIGN: DFB, DATE: 08/15/03, SCALE: AS SHOWN, CAD FILE: ca_C5.dwg. Includes the AZTEC logo and contact information for David Patrick Brown, P.E., and the project name: CENTENNIAL ACADEMY, GRAND MONTECITO PKY. & N. DURANGO DR., UTILITY & STREETLIGHT PLAN. SHEET C5, 5 of 8 Sheets, CL# 715-155.