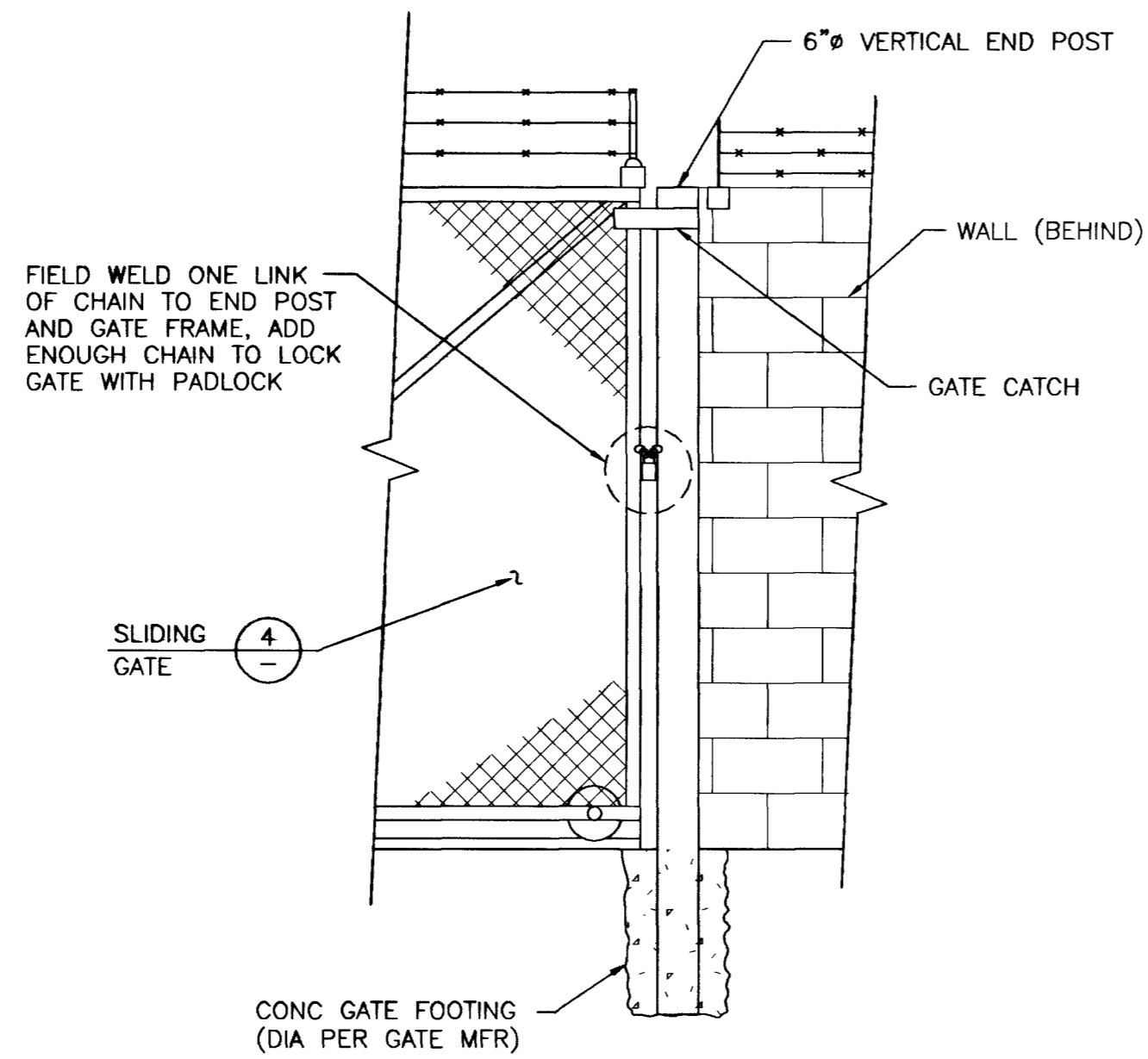


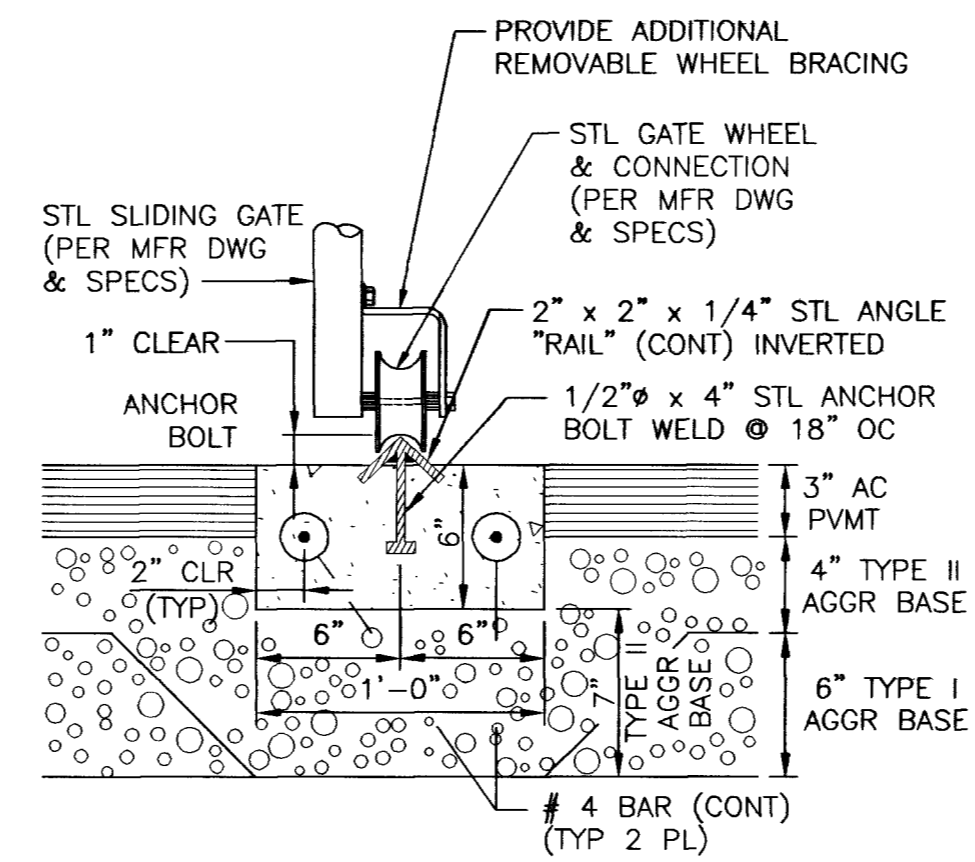
SECTION C

SCALE: 1/4" = 1"



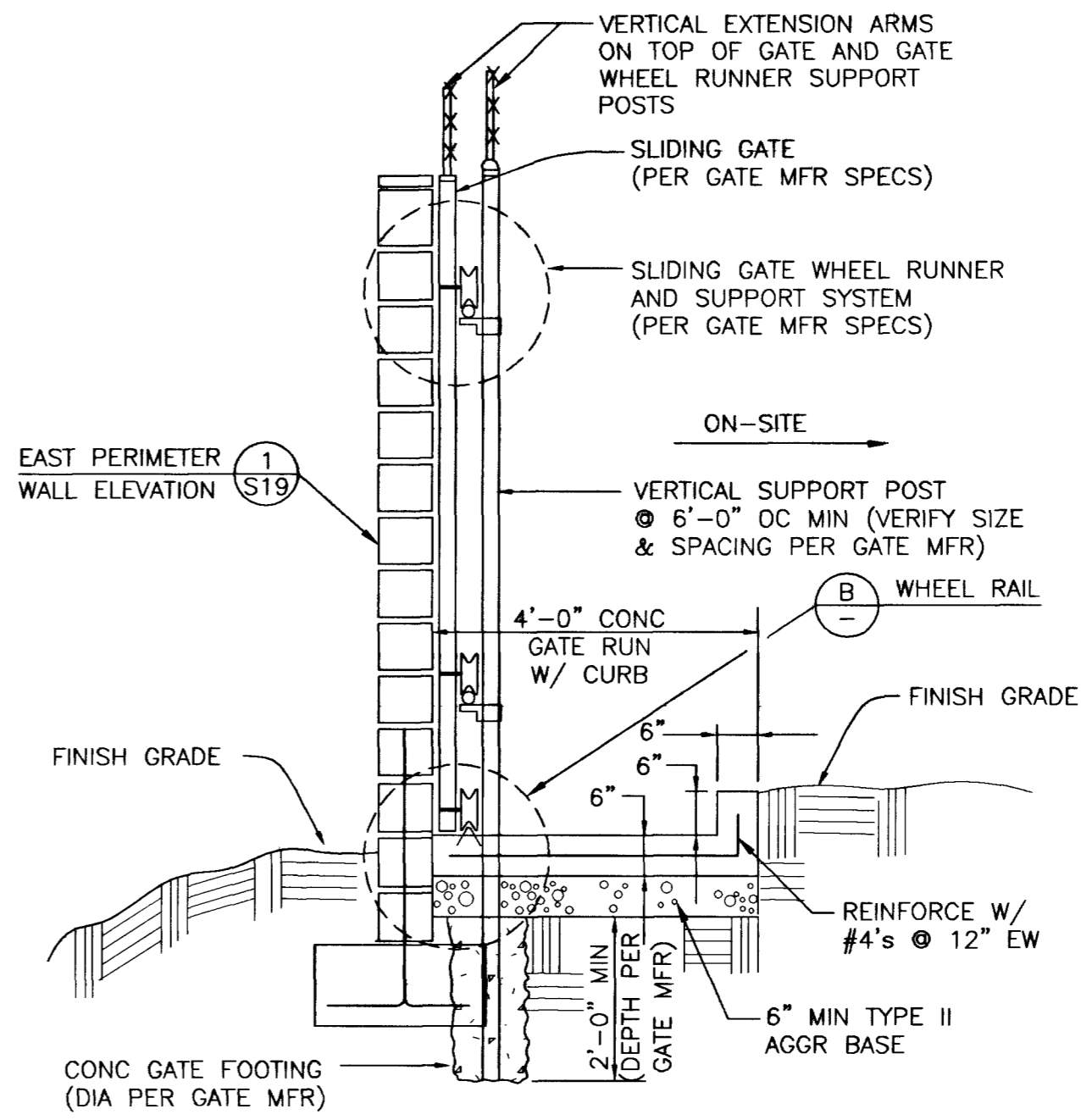
GATE LOCK DETAIL 5

SCALE: 1" = 1'-0"



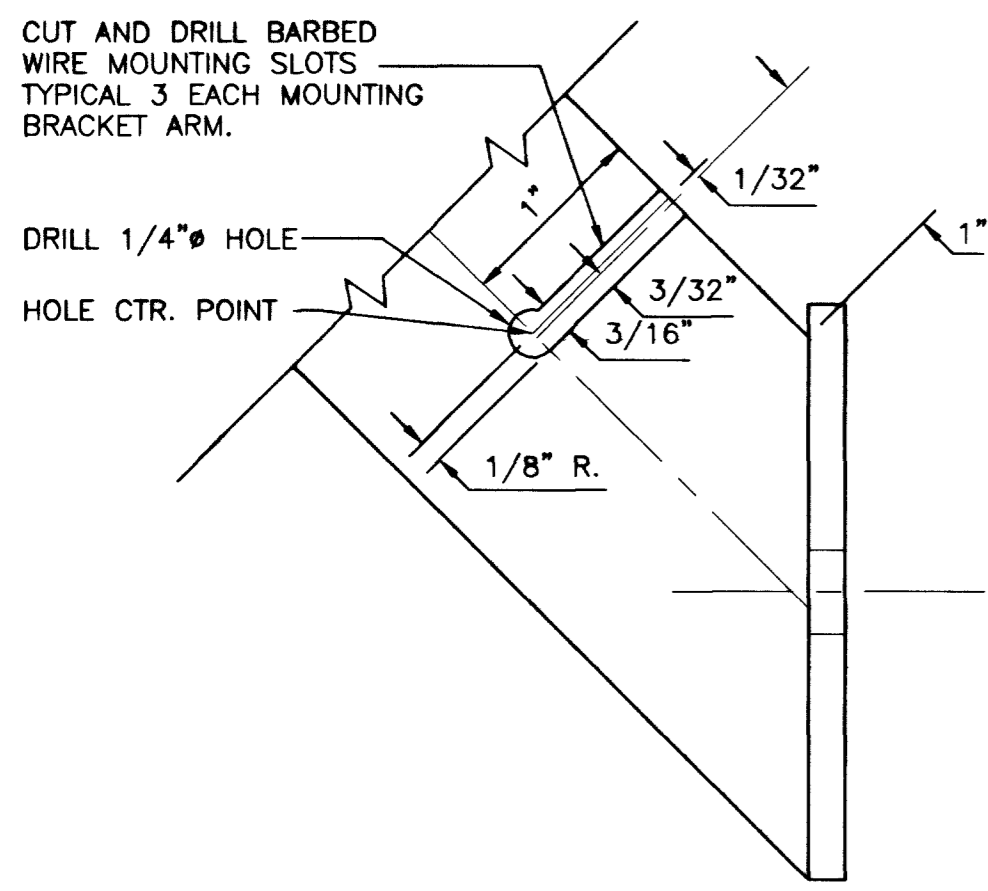
GATE WHEEL RAIL - SECTION B

SCALE: 1-1/2" = 1'-0"



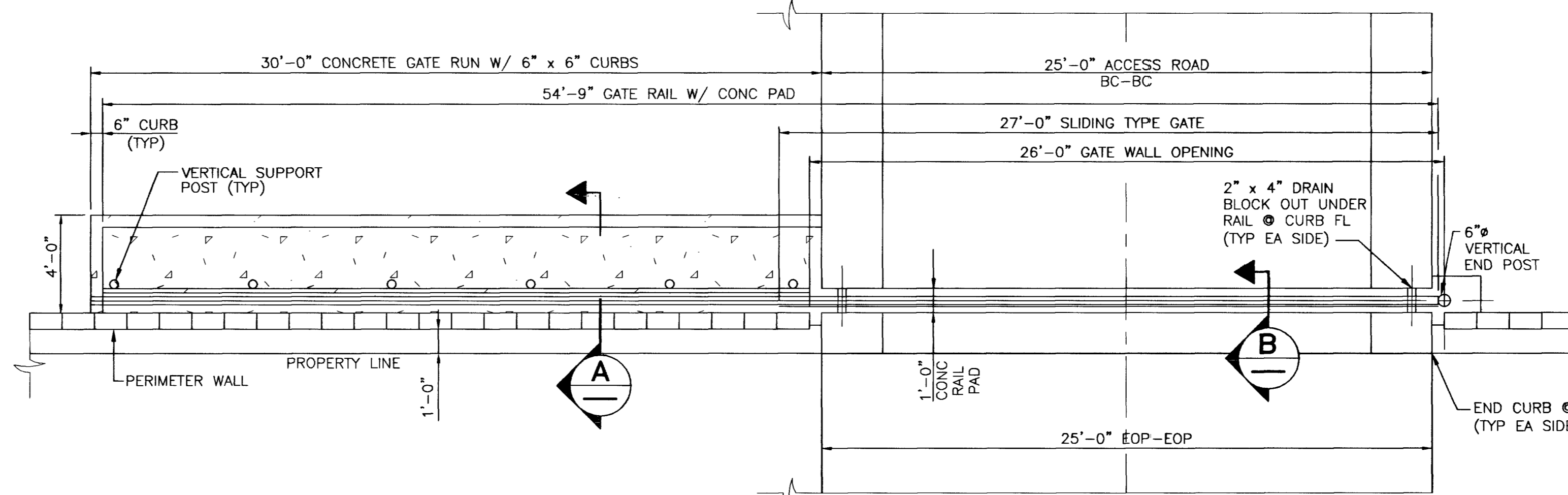
SLIDING GATE - SECTION A

SCALE: 1/2" = 1'-0"

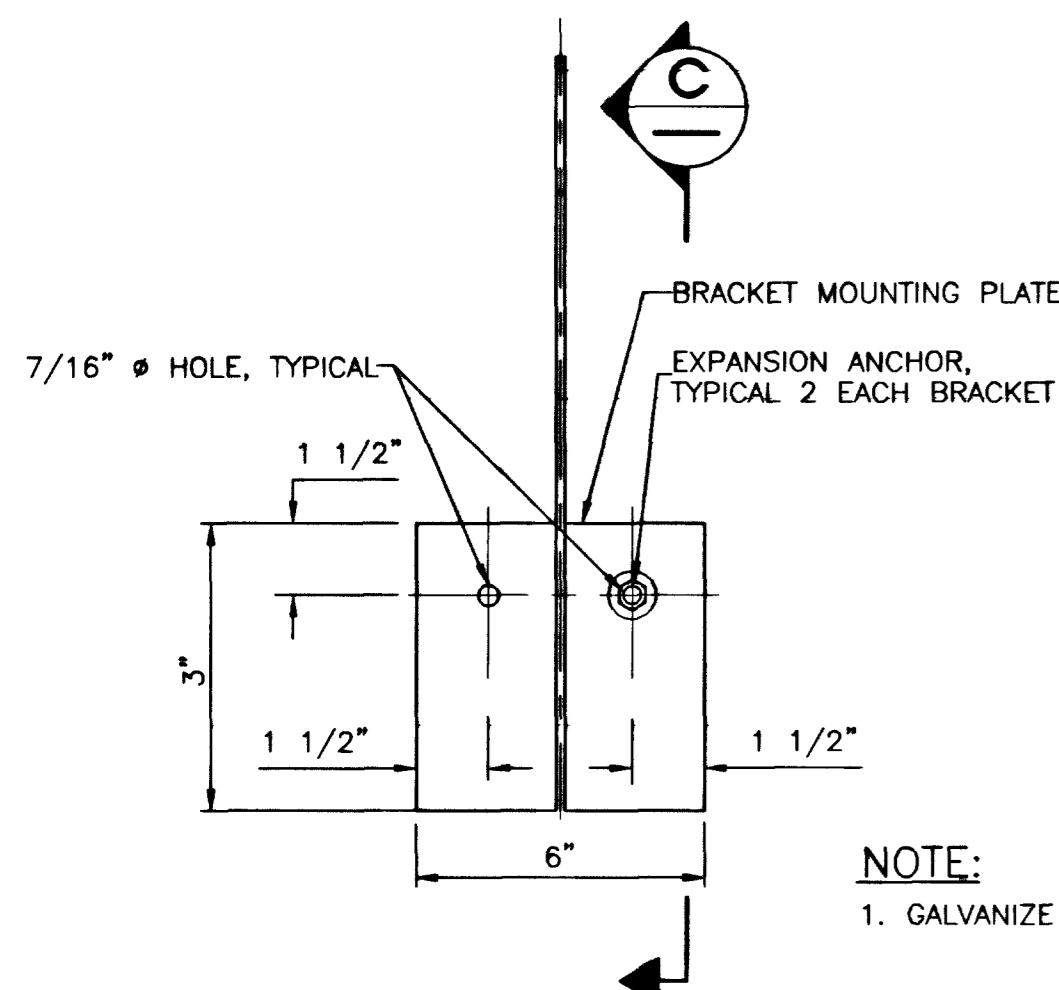


DETAIL-BARBED WIRE MOUNTING SLOT 2

SCALE: FULL



PLAN

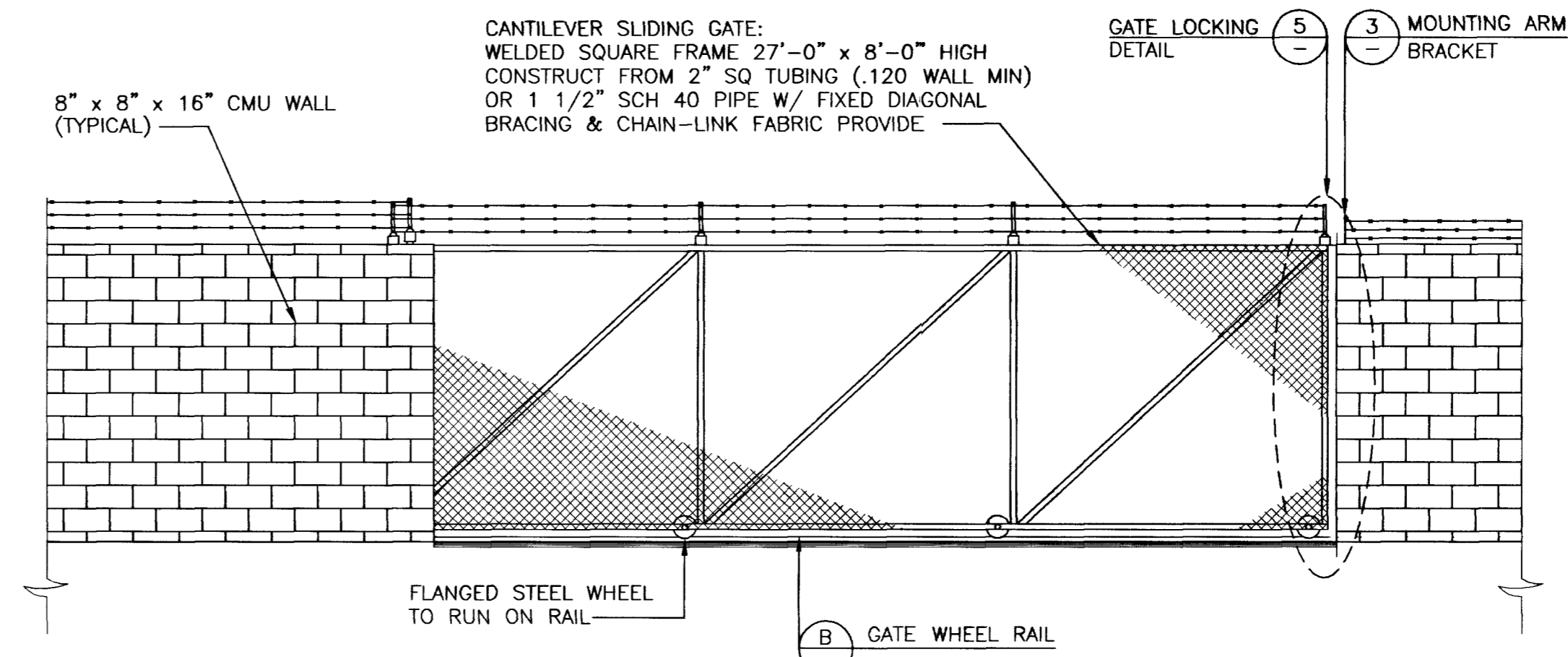


MOUNTING ARM BRACKET DETAIL 3

SCALE: 1/4" = 1"

C12  
S17

NOTE:  
GATE CHAIN LINK FABRIC SHALL BE GALVANIZED STEEL, 2" MESH



ELEVATION

CANTILEVER SLIDING GATE DETAIL 4

SCALE: 1/4" = 1'-0"

C12  
C2

LAS VEGAS VALLEY WATER DISTRICT

G.C. WALLACE, INC.  
Engineers/Planners/Surveyors  
1555 SOUTH RAINBOW BLVD., LAS VEGAS, NEVADA 89146  
TELEPHONE: (702) 864-2000 • FAX: (702) 864-2399

VERIFY SCALE

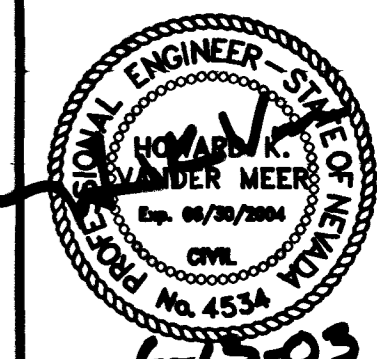
1/2" = 1'-0"  
1/2" = 1'-0"  
1/2" = 1'-0"  
BAR REPRESENTS ONE AND ONE-HALF INCHES ON ORIGINAL

3205 ZONE RESERVOIR EXPANSION

SITE DETAILS II

DRAWN BY: JBERGER  
CHECKED BY: M. W. MAIZE  
RECOMMENDED BY: L. STEVEN ANDERSON  
ACCEPTED BY: JITTLE  
DESIGN MANAGER

DATE: 04/12/02  
DATE: 04/12/02  
DATE: 09/10/09  
DATE: 06-13-03



CONTRACT NUMBER  
C1046  
DRAWING NUMBER C12  
SHEET 18 OF 95

CLV DRAWING #565-388  
CLV CIVIL SHEET 18 OF 30