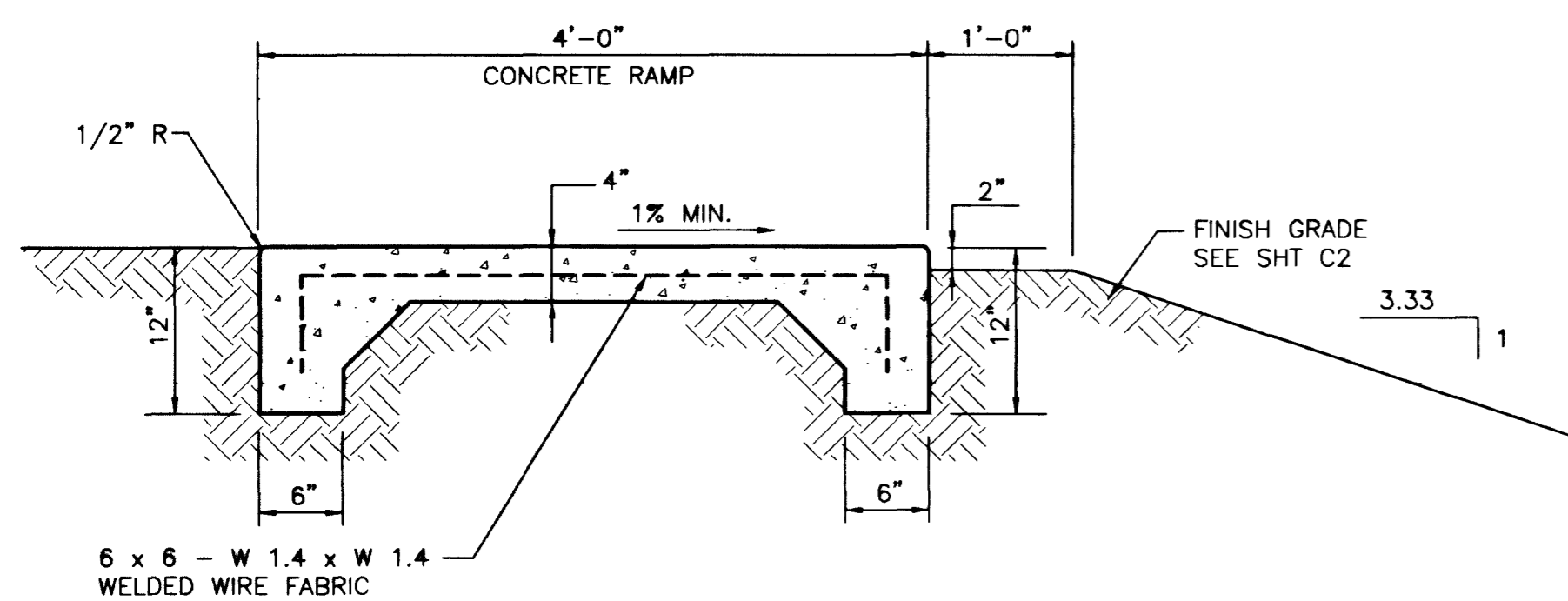


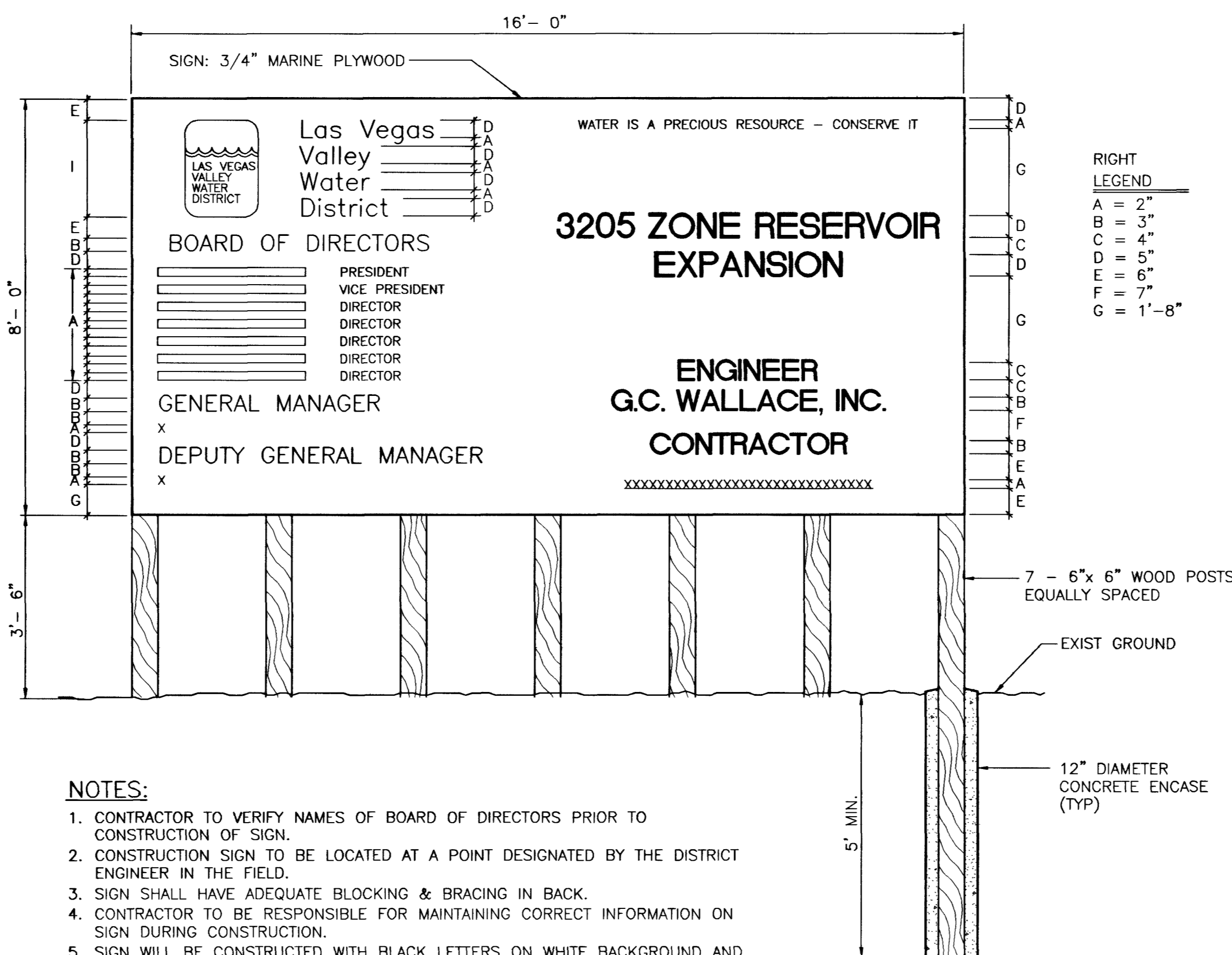
ROOF SIGN DETAIL
SCALE: NONE

6
C11
C2



CONCRETE RESERVOIR RAMP SECTIONAL DETAIL
SCALE: NONE

5
C11
S10

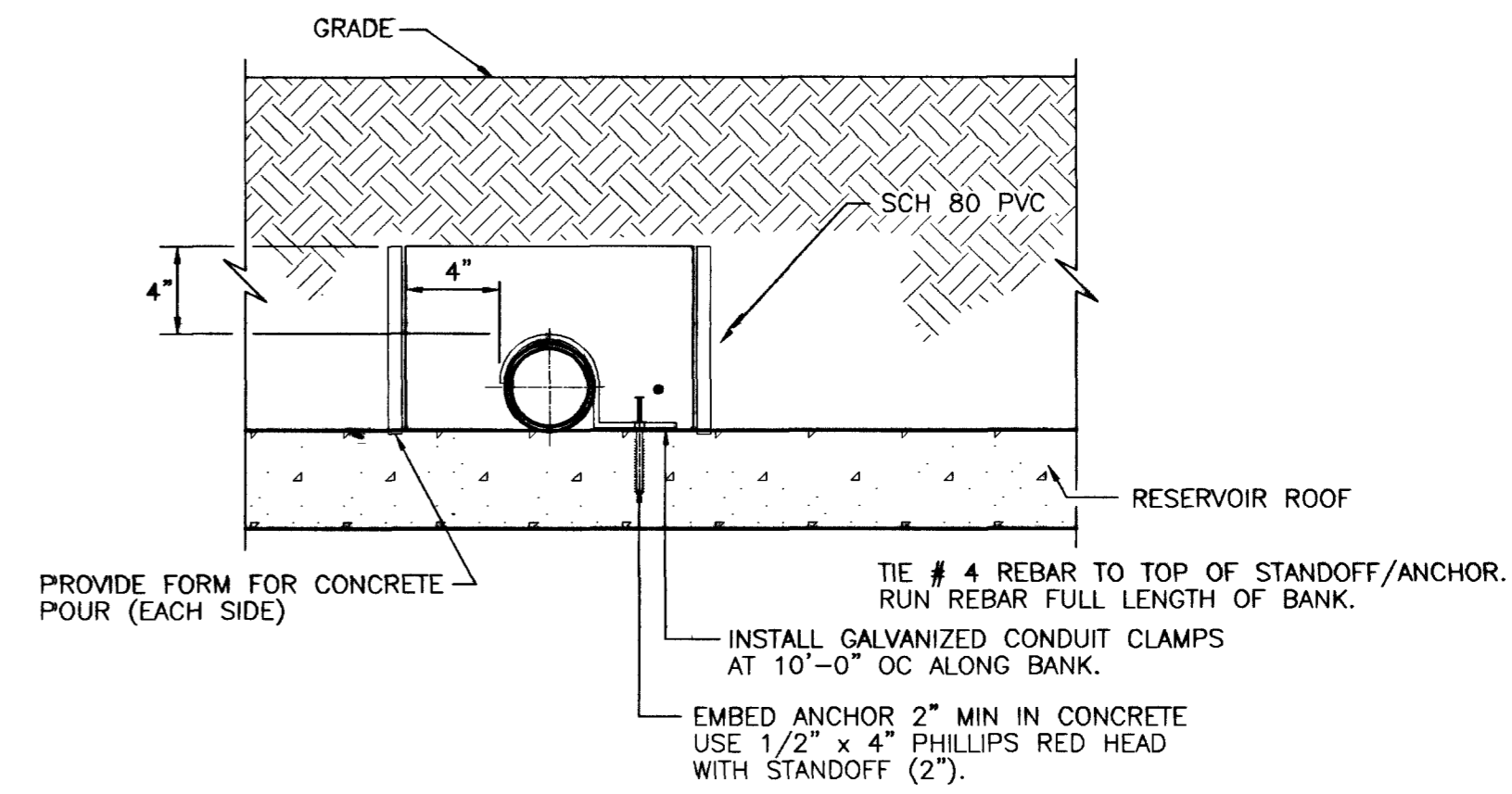


NOTES:

- CONTRACTOR TO VERIFY NAMES OF BOARD OF DIRECTORS PRIOR TO CONSTRUCTION OF SIGN.
- CONSTRUCTION SIGN TO BE LOCATED AT A POINT DESIGNATED BY THE DISTRICT ENGINEER IN THE FIELD.
- SIGN SHALL HAVE ADEQUATE BLOCKING & BRACING IN BACK.
- CONTRACTOR TO BE RESPONSIBLE FOR MAINTAINING CORRECT INFORMATION ON SIGN DURING CONSTRUCTION.
- SIGN WILL BE CONSTRUCTED WITH BLACK LETTERS ON WHITE BACKGROUND AND ALL LETTERS TO BE PAINTED ON SIGN.
- SIGN SHALL DISPLAY A CURRENT TELEPHONE NUMBER FOR SECURITY CONTRACTOR.
- CONTRACTOR SHALL REMOVE SIGN AT CONSTRUCTION COMPLETION.
- SIGN SHALL BE IN COMPLIANCE WITH ALL APPLICABLE CLV OR CLARK COUNTY SIGN CODE OR ORDINANCE REQUIREMENTS.

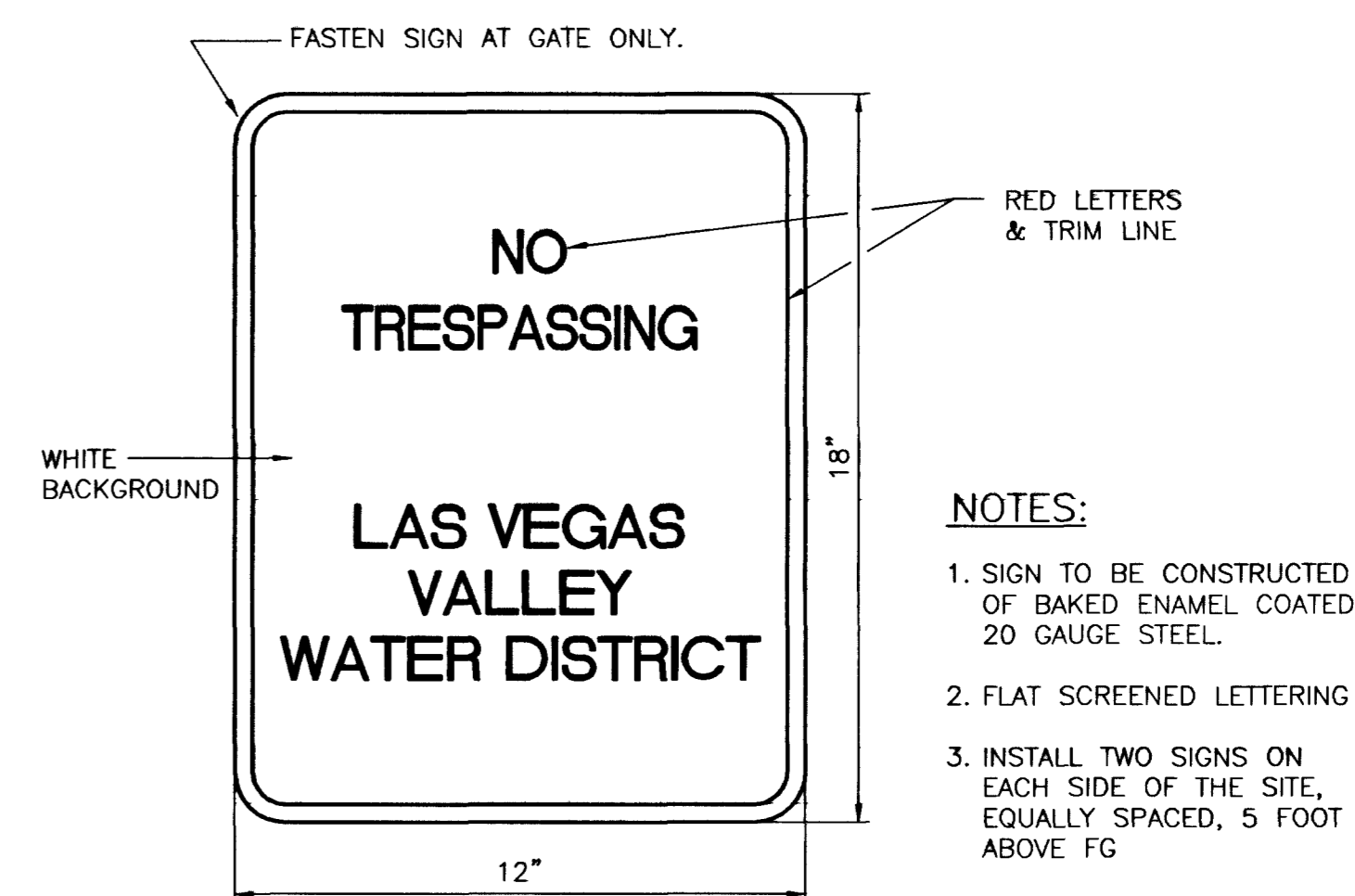
CONSTRUCTION SIGN DETAIL
SCALE: 1" = 2'

4
C11



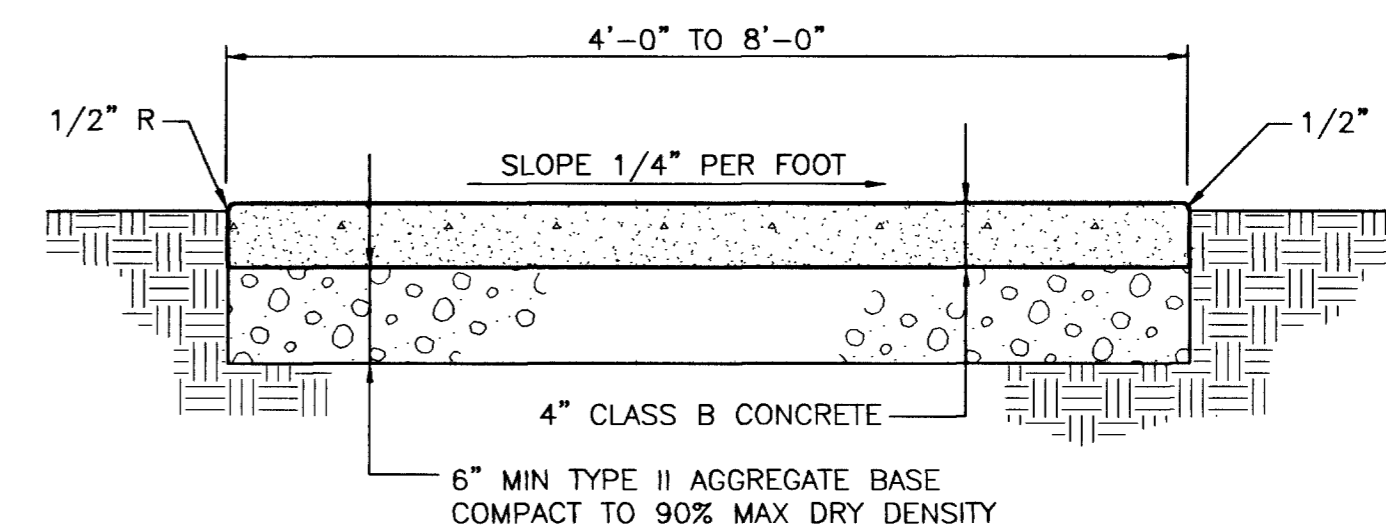
SAMPLE PIPE SECTIONAL DETAIL
SCALE: NONE

3
C11
M7,M13



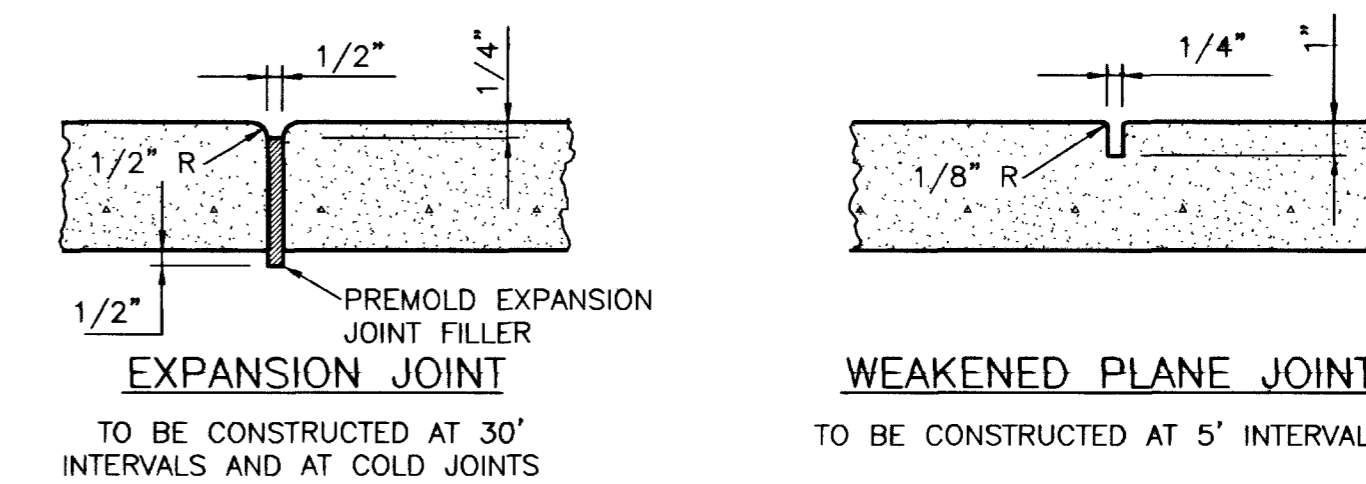
NO TRESPASSING SIGN DETAIL
SCALE: NONE

2
C11



CONCRETE SIDEWALK SECTIONAL DETAIL
SCALE: NONE

1
C11



TO BE CONSTRUCTED AT 30' INTERVALS AND AT COLD JOINTS

TO BE CONSTRUCTED AT 5' INTERVALS

C2,C14,S9,S11,M12,M13,M14

LAS VEGAS VALLEY WATER DISTRICT

G.C. WALLACE, INC.
Engineers/Planners/Surveyors
1555 SOUTH RAINBOW BLVD., LAS VEGAS, NEVADA 89146
TELEPHONE: (702) 864-2600 • FAX: (702) 864-2599

VERIFY SCALE
1/2" = 1' / 1/2" = 1'

3205 ZONE RESERVOIR EXPANSION

SITE DETAILS I

SCALE: HORIZ. SCALE AS SHOWN

1046C11.DWG Plot @ XX/XX/XX XX:XX

04/12/02 DATE
04/12/02 DATE

RECOMMENDED BY: L. STEVEN ANDERSON
ACCEPTED BY: DESIGN MANAGER

09/09/05 DATE

06-13-03

CONTRACT NUMBER
C1046

DRAWING NUMBER C11
SHEET 17 OF 95