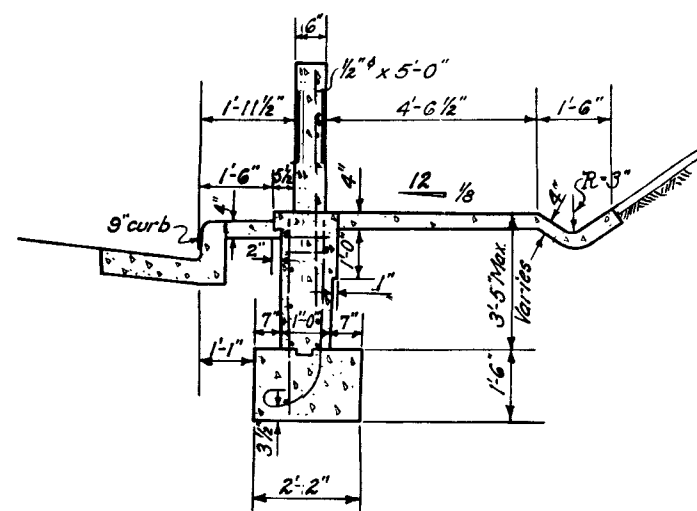
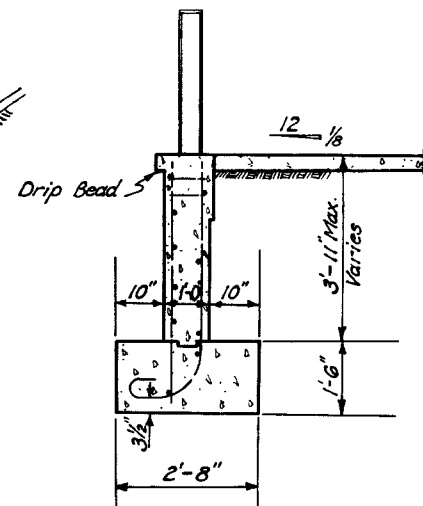


FED. ROAD DIV. NO.	STATE	FED. AID PROJ. NO.	FISCAL YEAR	COUNTY	CONTROL SECTION	SHEET NO.	TOTAL SHEETS
7	NEVADA	0067-1(2)	-	CLARK	CL 16	40	57



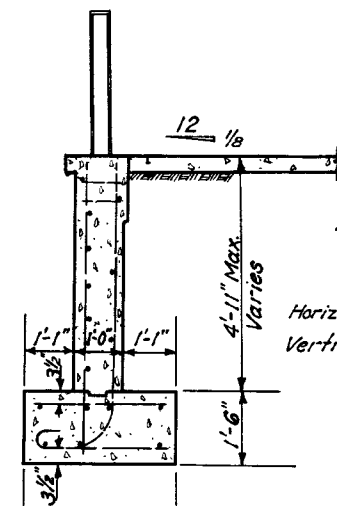
Reinforcing identical in size and spacing with Section C-C, except in footing.

SECTION Z-Z



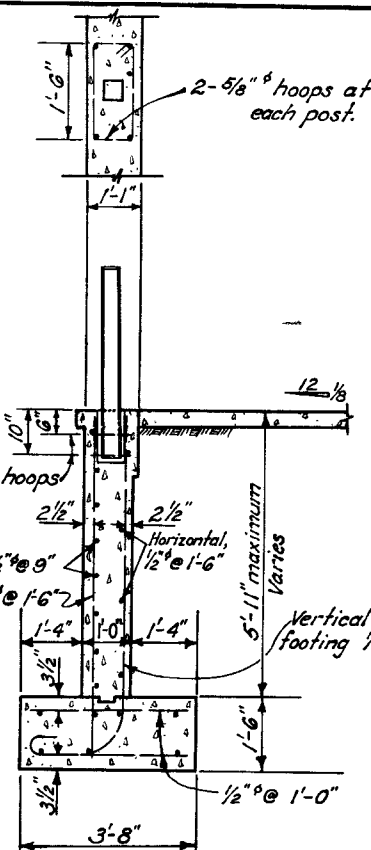
Reinforcing identical in size and spacing with Section C-C, except in footing.

SECTION A-A

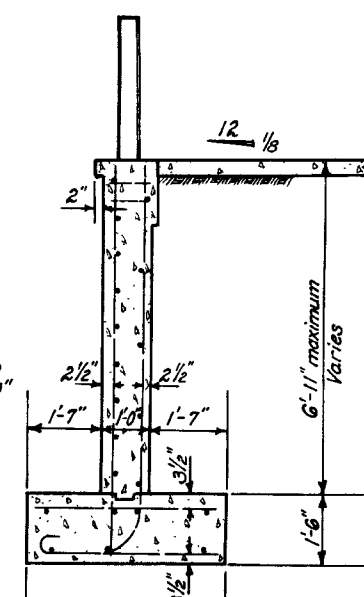


Reinforcing identical in size and spacing with Section C-C, except in footing.

SECTION B-B

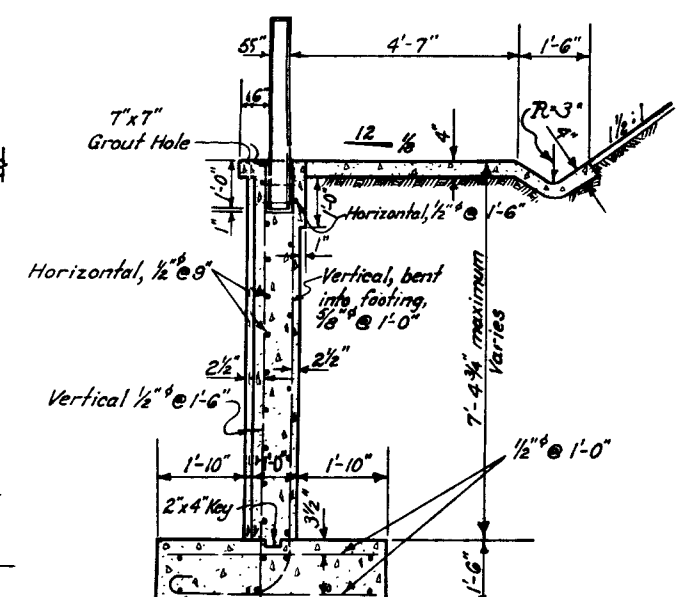


SECTION C-C



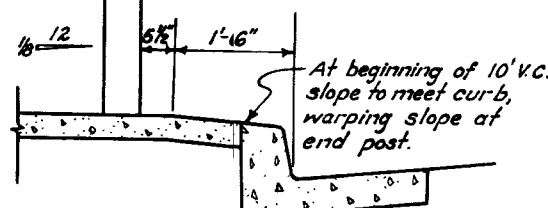
SECTION D-D

Reinforcing identical in size and spacing with Section E-E.

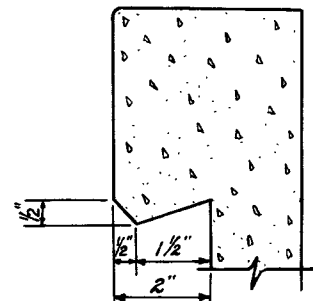


SECTION E-E

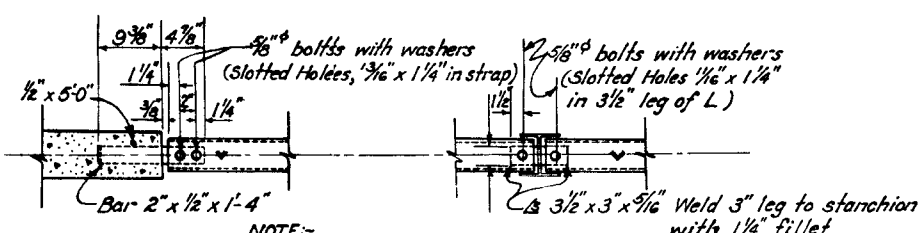
Longitudinal bars in footing 1/2" as shown.



SECTION F-F



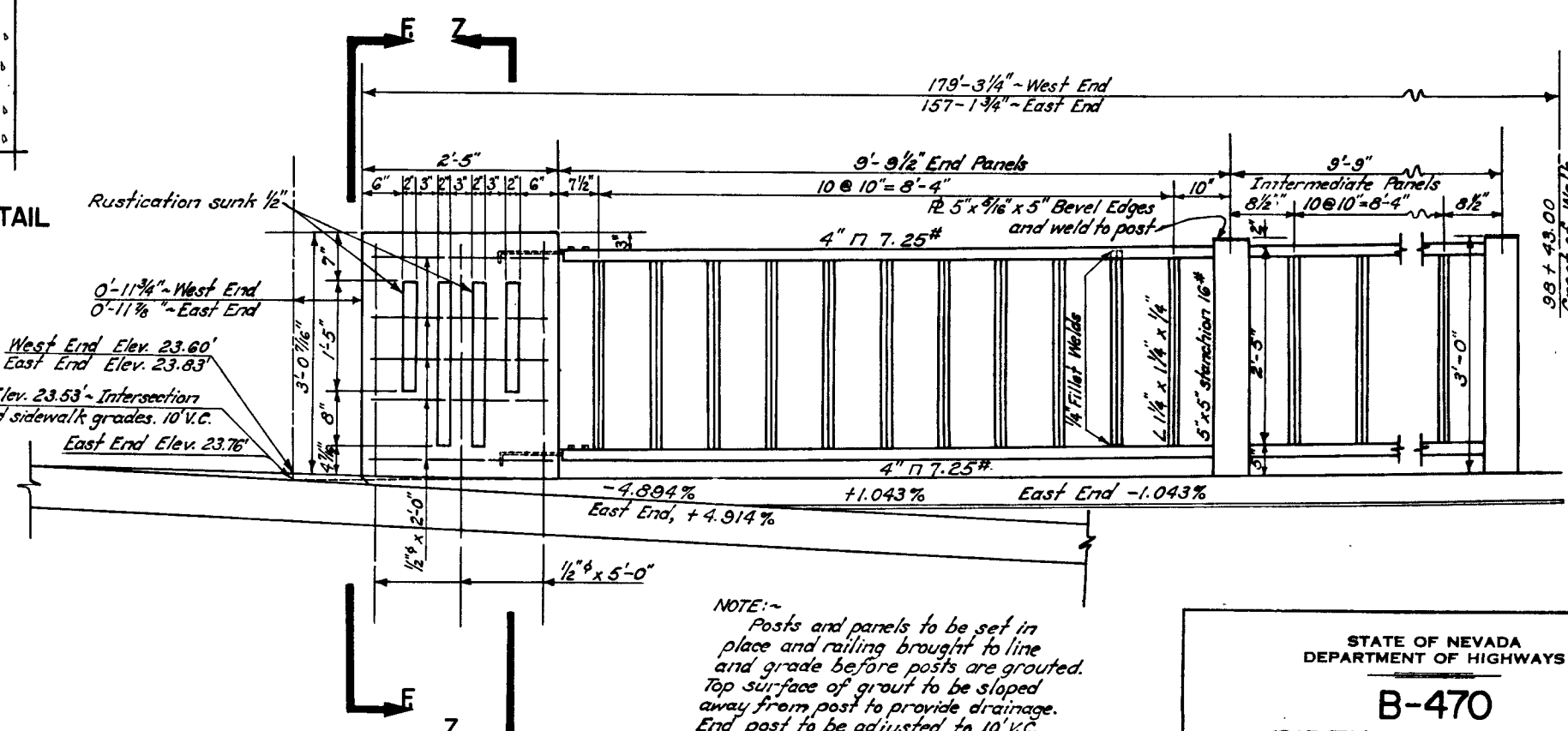
DRIP BEAD DETAIL



NOTE:- Panels over wall expansion joints to have slotted holes 1/8" x 1/8" in 3/2" leg of L at both ends. Turn up nuts by hand and burr threads.

Weld 3" leg to stanchion with 1/4" fillet.

RAILING DETAILS



SIDEWALK RAIL POST (WEST) ELEVATION

NOTE:- Posts and panels to be set in place and railing brought to line and grade before posts are grouted. Top surface of grout to be sloped away from post to provide drainage. End post to be adjusted to 10' v.c.

STATE OF NEVADA  
DEPARTMENT OF HIGHWAYS

**B-470**  
**SIDEWALK WALLS**  
**AND RAIL**

DATE OF LAST REVISION:

BRIDGE DEPARTMENT	DATE	CHECKED BY	DATE
DESIGN			
DRAWING			
TRACING			

BY: JEM  
DATE: 7/24/72  
W.H.S.  
6-7-48

S1527