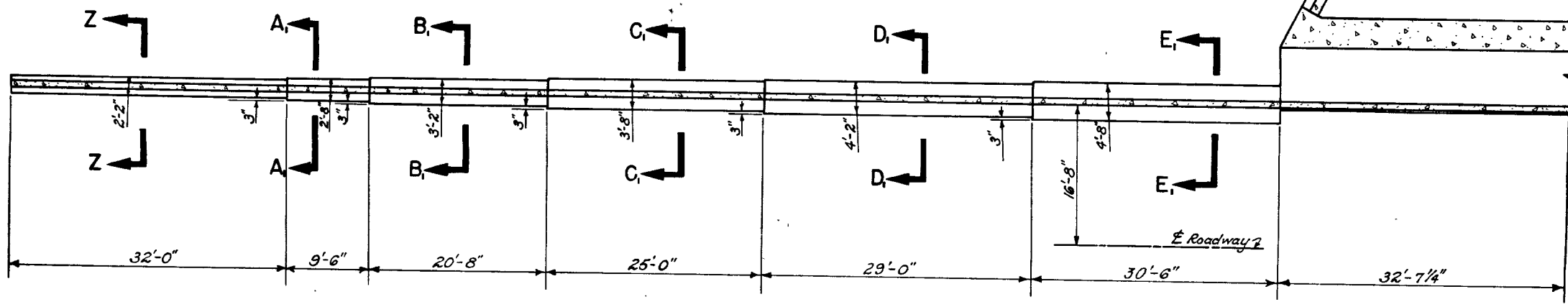
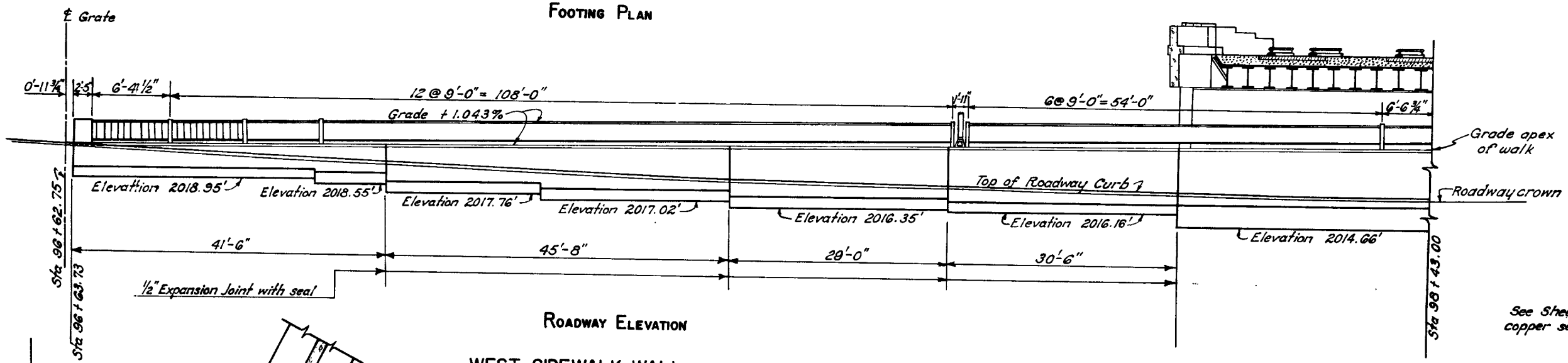


FED. ROAD DIV. NO.	STATE	FED. AID PROJ. NO.	FISCAL YEAR	COUNTY	CONTROL SECTION	SHEET NO.	TOTAL SHEETS
7	NEVADA	000-14(2)	-	CLARK	CL 10	39	57



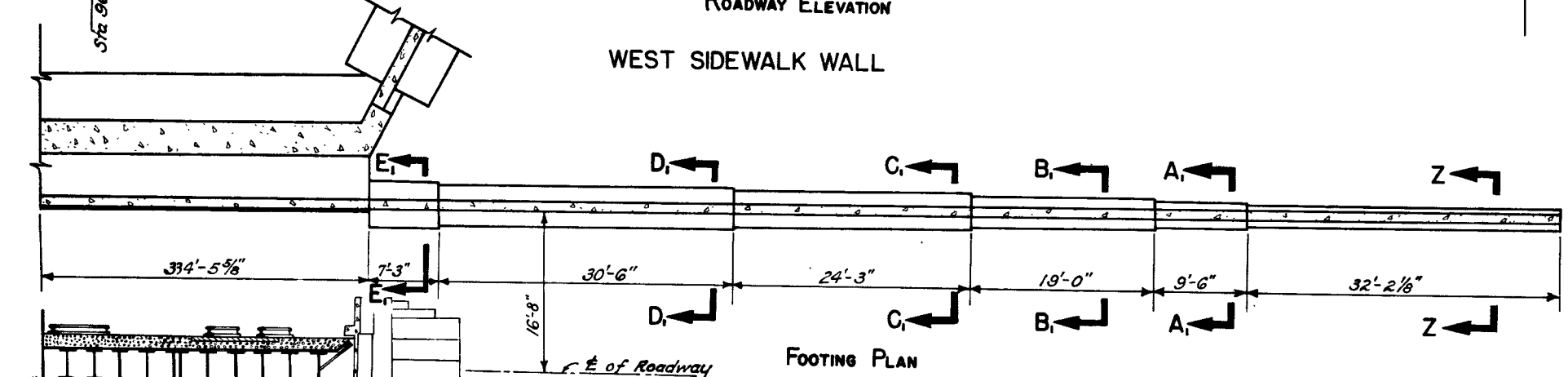
FOOTING PLAN



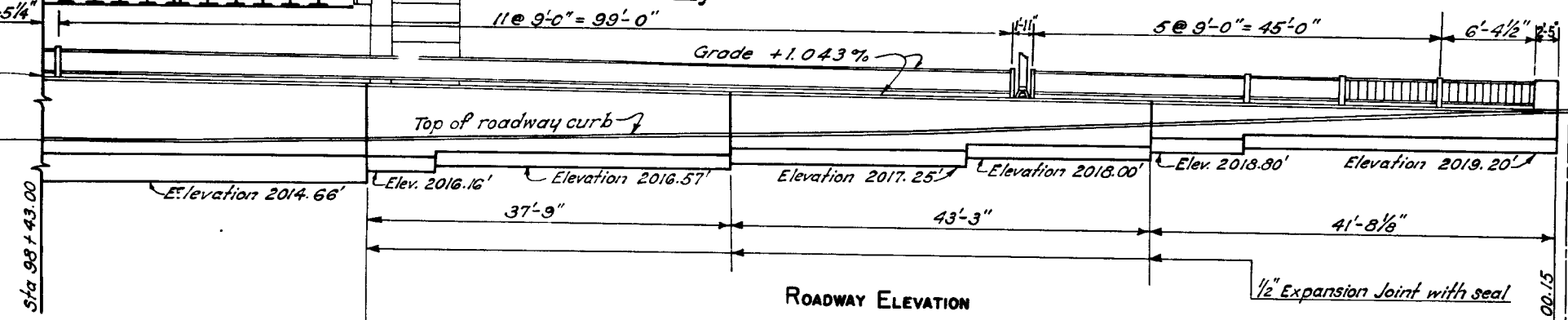
ROADWAY ELEVATION

WEST SIDEWALK WALL

See Sheet No. 36 for detail of copper seal at expansion joints.

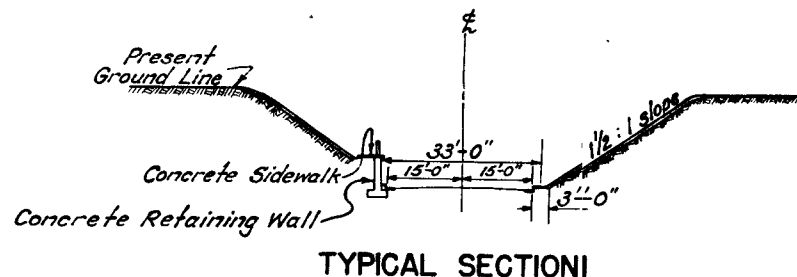


FOOTING PLAN



ROADWAY ELEVATION

EAST SIDEWALK WALL



TYPICAL SECTION

STATE OF NEVADA  
DEPARTMENT OF HIGHWAYS

**B-470  
SIDEWALK WALLS**

107-VS1089

DATE OF LAST REVISION: - OCTOBER 4, 1948

51526

BRIDGE DEPARTMENT  
 BY DATE CHECKED BY DATE  
 DRAWING SIGN 2/1/47 M.H.S. 6-7-48  
 TRACING JEM