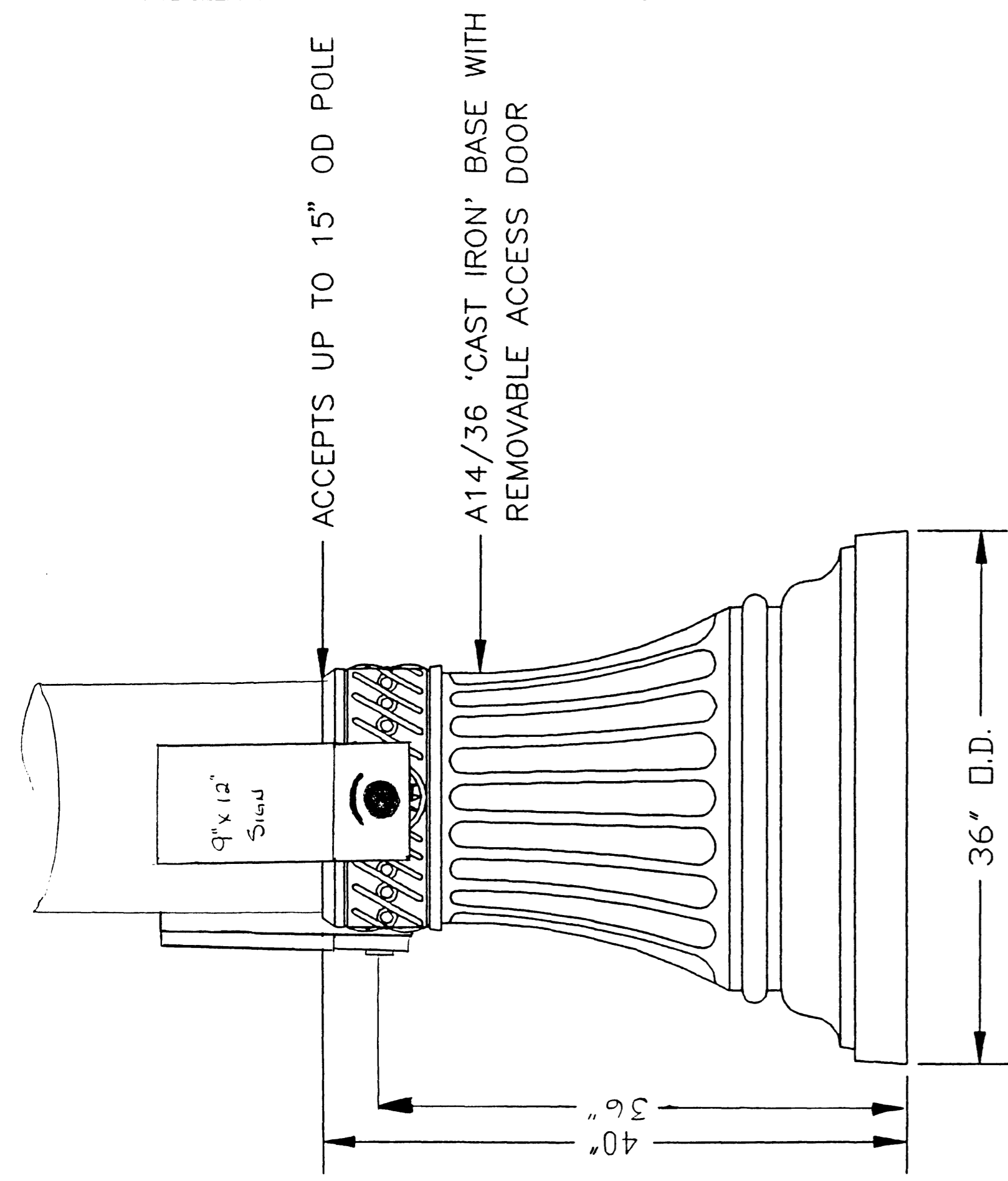


SERIES A14/36
(CLAM SHELL DESIGN)

ED RETROFITTING
PLEASE INCLUDE
WITH 23-BUILTS,
CHARLESTON BLDG.
APPLE/PALACE COURT
MIKE SCHMIDT
TELE 5-9-00

PROJECT: QUEEN'S RIDGE
CONTRACTOR: MAGNA ELECTRIC
DISTRIBUTOR: STANISLAW WHOLESALE

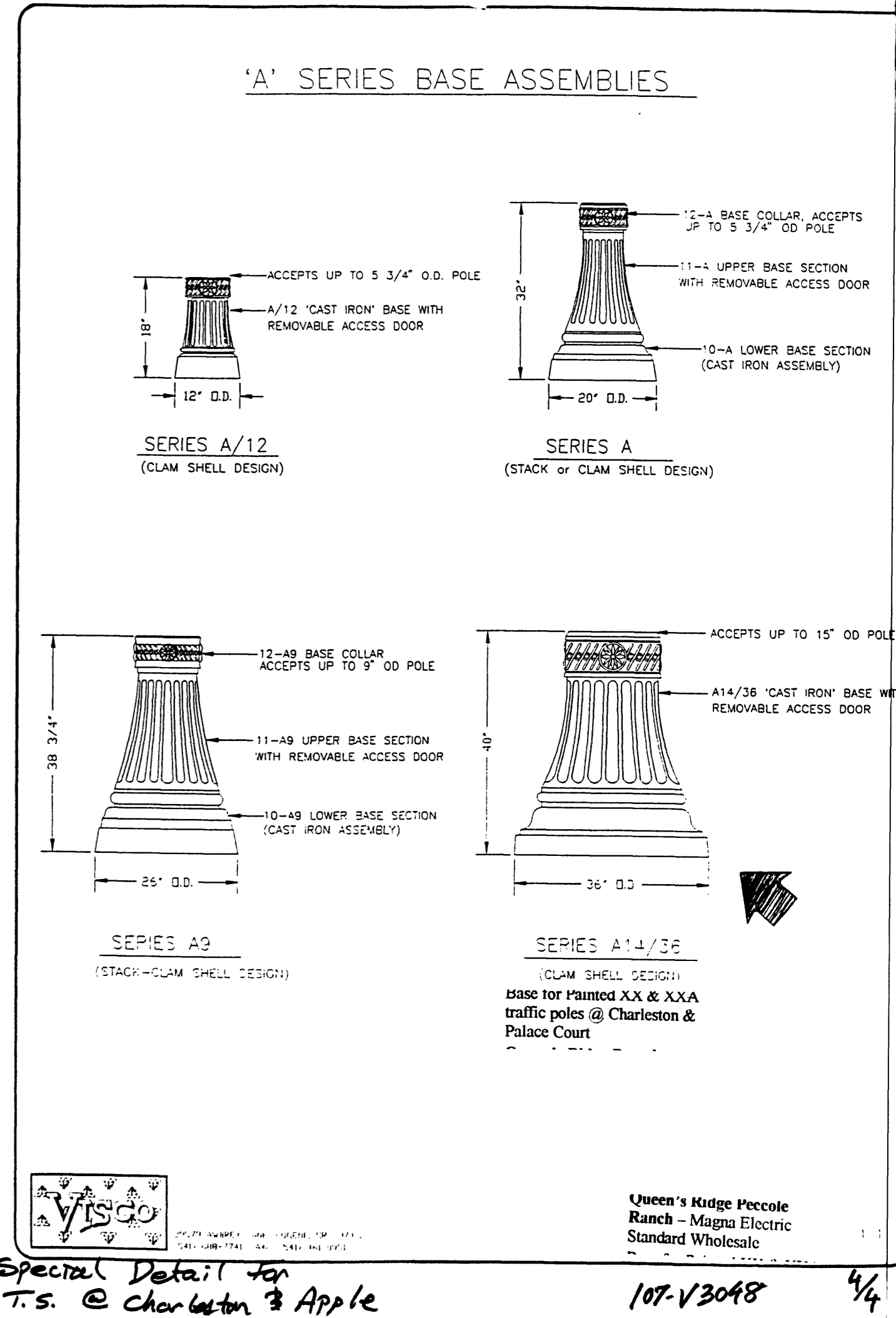


SERIES A14/36
(CLAM SHELL DESIGN)

PROJECT: QUEEN'S RIDGE
CONTRACTOR: MAGNA ELECTRIC
DISTRIBUTOR: STANISLAW WHOLESALE

SPECIAL DETAIL FOR T.S. @ CHARLESTON & APPLE 107-V3078 1/4

SPECIAL DETAIL FOR T.S. @ CHARLESTON & APPLE 107-V3078 3/4



SPECIAL DETAIL FOR
T.S. @ CHARLESTON & APPLE

107-V3048 1/4

SPECIAL DETAIL FOR
T.S. @ CHARLESTON & APPLE

107-V3048 3/4

'A' SERIES BASE ASSEMBLIES

Queen's Ridge Peccole
Ranch - Magna Electric
Standard Wholesale

'A' SERIES BASE ASSEMBLIES

Queen's Ridge Peccole
Ranch - Magna Electric
Standard Wholesale