

FED. ROAD REG. NO.	STATE	PROJECT NO.	COUNTY	CONTROL SECTION	STATE ROUTE	SHEET NO.	TOTAL SHEETS
7	NEVADA	F-006-1(22)	CLARK	03-065		261	

REF. NO. K-9

CONDUIT-CONDUCTOR SCHEDULE

Run No.	From	To	Conduit Size	Φ A	Φ B	A <sub>p</sub>	B <sub>p</sub>	Sig. Com.	Spare	Lighting	Cable Requirements
1	Pole A	Pole D	1 1/2"	3	3	2	2	1	1	2	One #14-12 conductor (Signal) Two #12 conductor (Lighting)
2	Pole A	Pole B	1 1/2"	3	2	2	1	1	4	2	One #14-12 conductor (Signal) Two #12 conductor (Lighting)
3	Pole A	Pole C	1 1/2"	3	3	2	2	1	1	2	One #14-12 conductor (Signal) Two #12 conductor (Lighting)

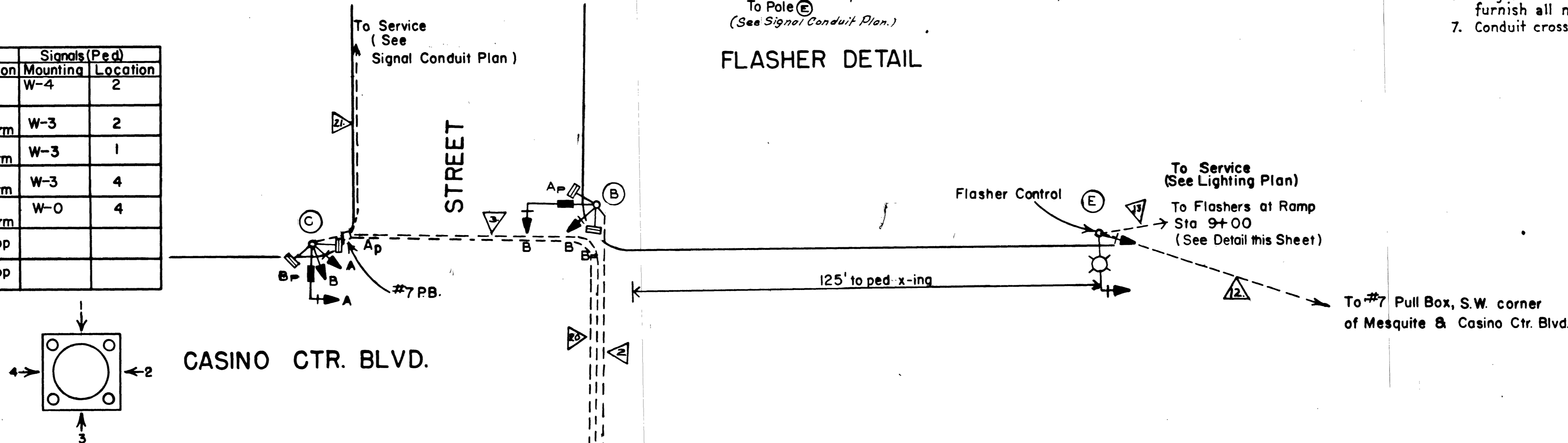
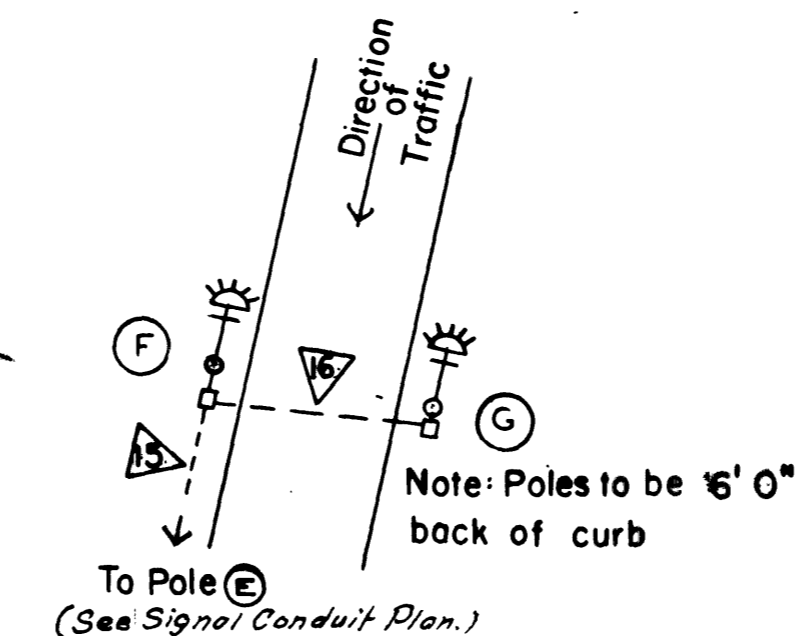
Note: See Signal-Conduit Plan for Runs 12,13,15,16,20 & 21

POLE & SIGNAL SCHEDULE

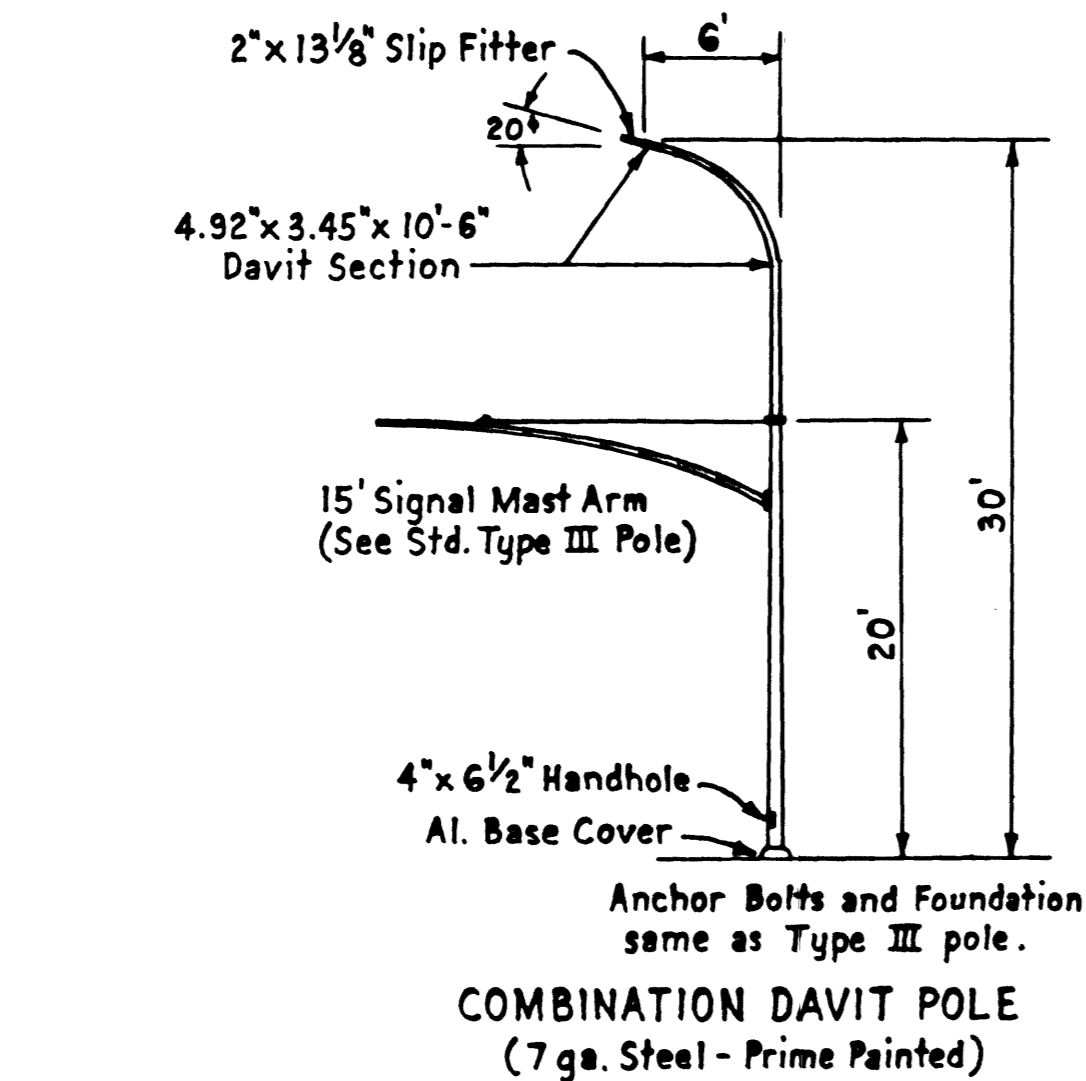
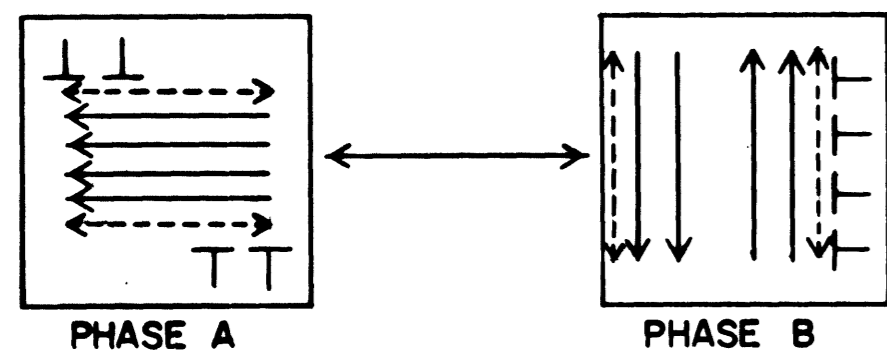
Pole No.	Type	Signal Mast Arm Location	Luminaire Mast Arm Location	Signals		Signals (Ped)	
				Type	Mounting Location	Mounting Location	Location
(A)	Existing Newfooting			1W3C	B-1	2	W-4
(B)	DAVIT	4	4	1W3C	B-1	2	W-3
(C)	DAVIT	3	3	2W3C 1W3C	B-2 M-2	1	W-3
(D)	DAVIT	2	2	2W3C 1W3C	B-2 M-2	4	W-3
(E)	VI	3	3	1W2C 1W2C	B-1 M-1	2	W-0
(F)	I-A			2WIC	A-2		
(G)	I-A			1WIC	A-2		

- GENERAL NOTES
- All four existing light poles at intersection to be removed from intersection. One pole to be salvaged as Pole (A). The remaining three to be stockpiled for removal by owner.
  - Lighting system to be 120 v.a.c. A disconnect shall be provided for the lighting system in the controller box on Pole (A).
  - All existing fluorescent fixtures shall be replaced with 120 v.a.c. fluorescent luminaires with integral ballasts of the same light output as existing luminaires on Stewart St.
  - City of Las Vegas, Electrical Dept., shall be notified prior to removing any light poles from intersection.
  - Poles (F) and (G) see detail this sheet. Pole (F) to house flasher mechanism and control relays, in back signal head.
  - City of Las Vegas to complete installation of fire alarm box and furnish all necessary materials on Pole (D).
  - Conduit crossing Stewart Street may be trenched.

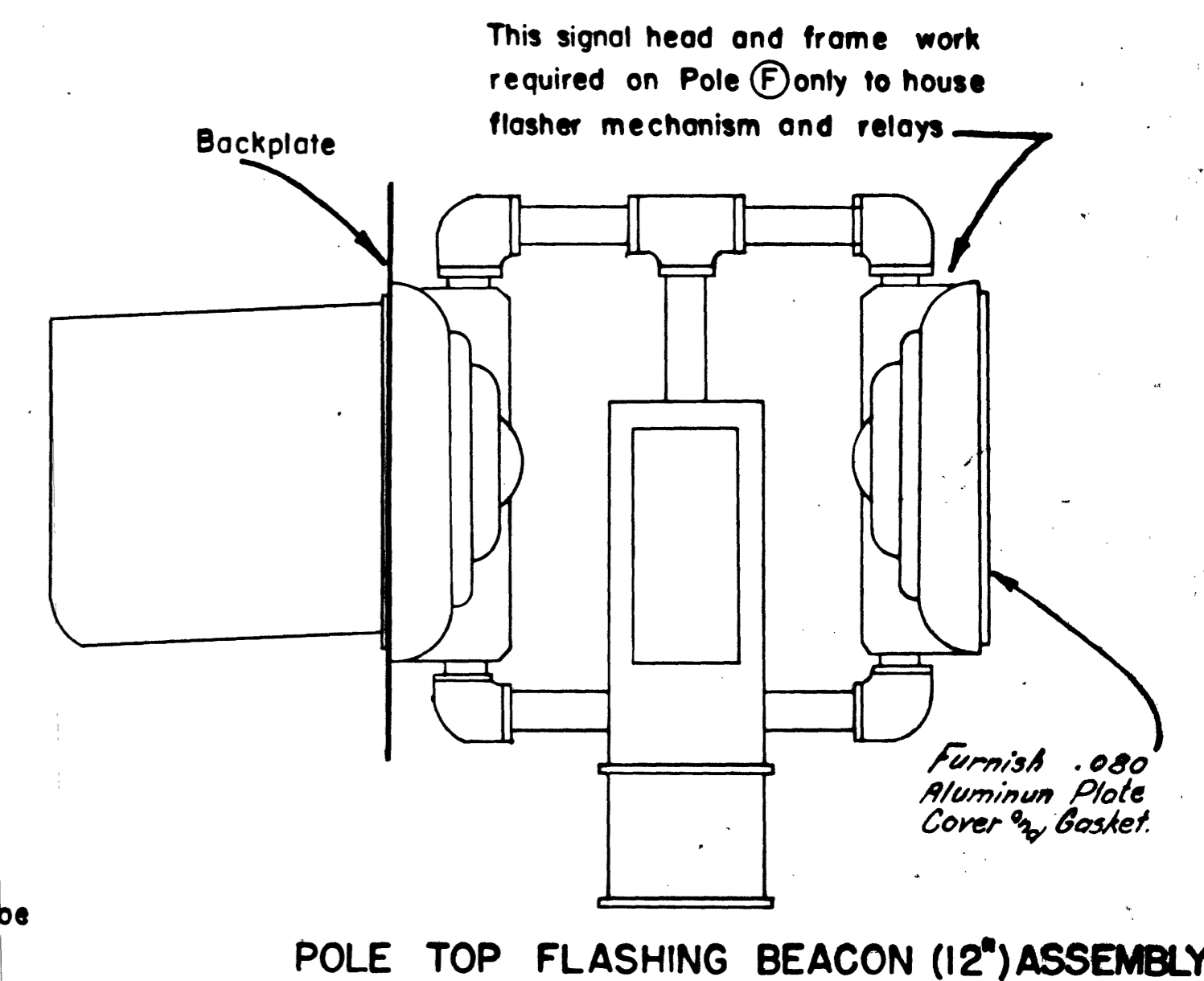
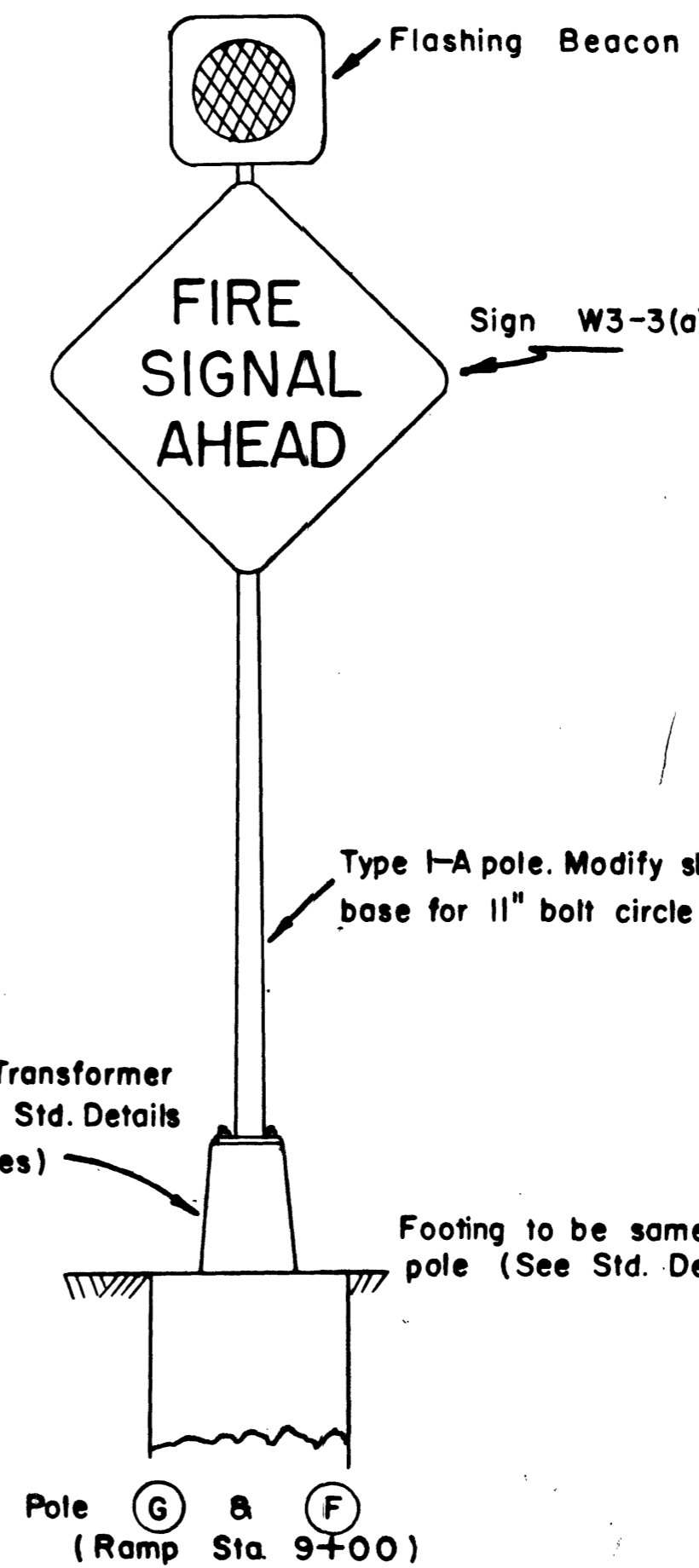
FLASHER DETAIL



PHASE DIAGRAM



2" conduit to #7 P.B., S.W. corner of 4th & Stewart  
(See Signal-Conduit Plan)



AS BUILT

STATE OF NEVADA  
DEPARTMENT OF HIGHWAYS

TRAFFIC SIGNAL

CASINO CTR. & STEWART

208-166

AS BUILT (MULDER 8-3-72)