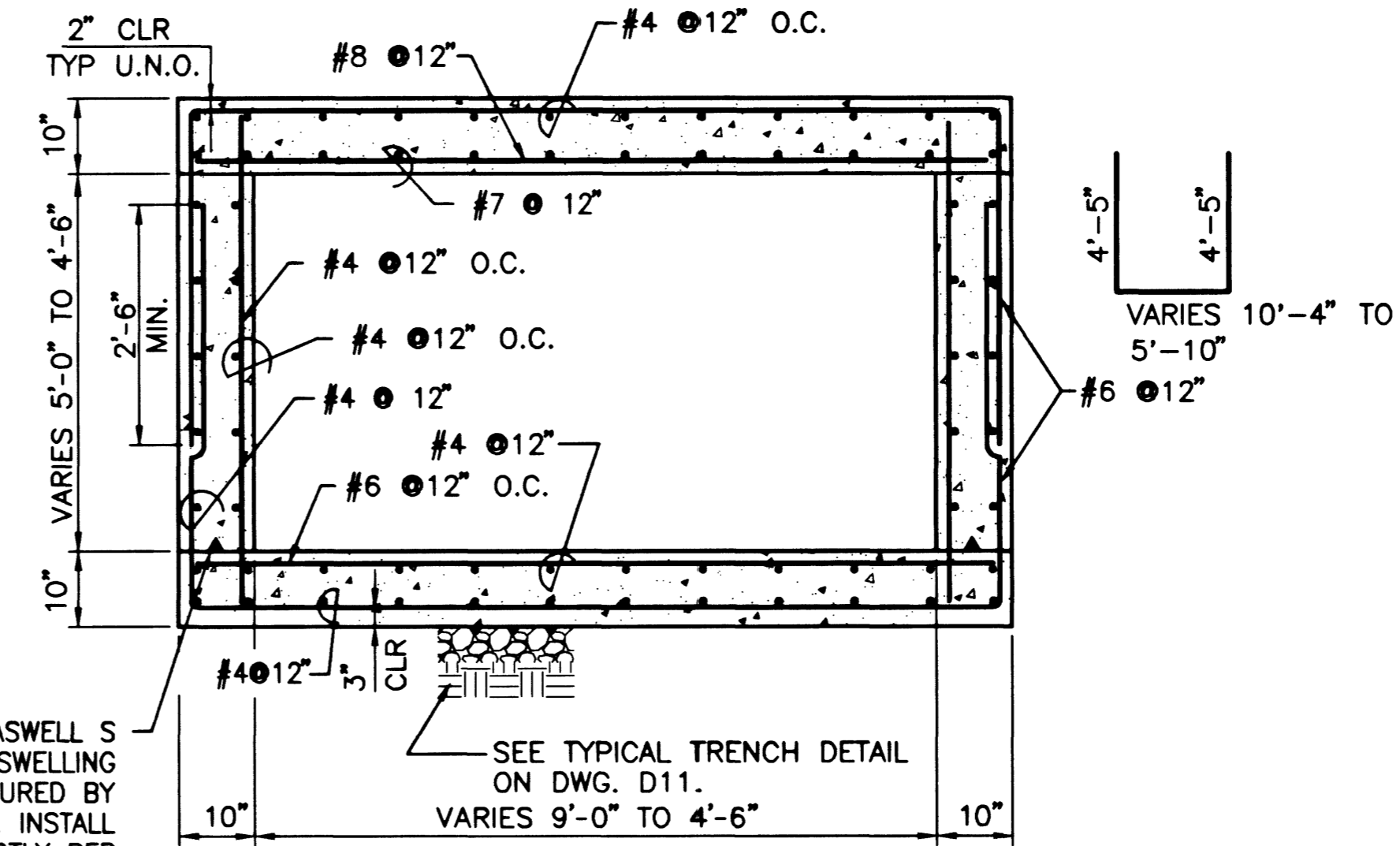
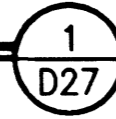


**TRANSITION STRUCTURE NO. 8**

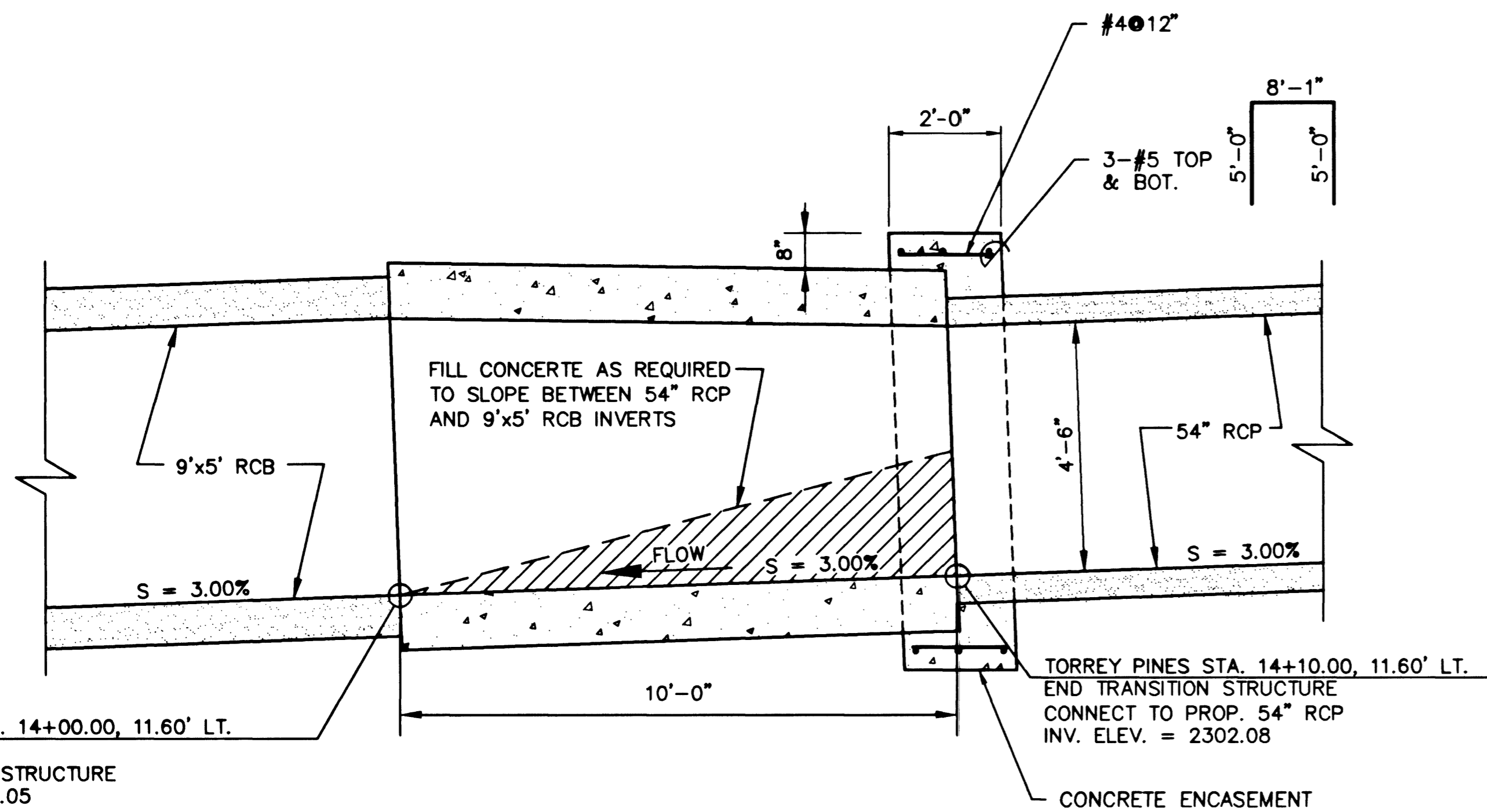
SCALE: 1/2" = 1'-0"



SWELLING WATERSTOP SIKASWELL S POLYURETHANE EXTRUDABLE SWELLING WATERSTOP AS MANUFACTURED BY SIKA OR APPROVED EQUAL. INSTALL 3/4" TRIANGULAR BEAD STRICTLY PER MANUFACTURERS SPECIFICATIONS, TYP.

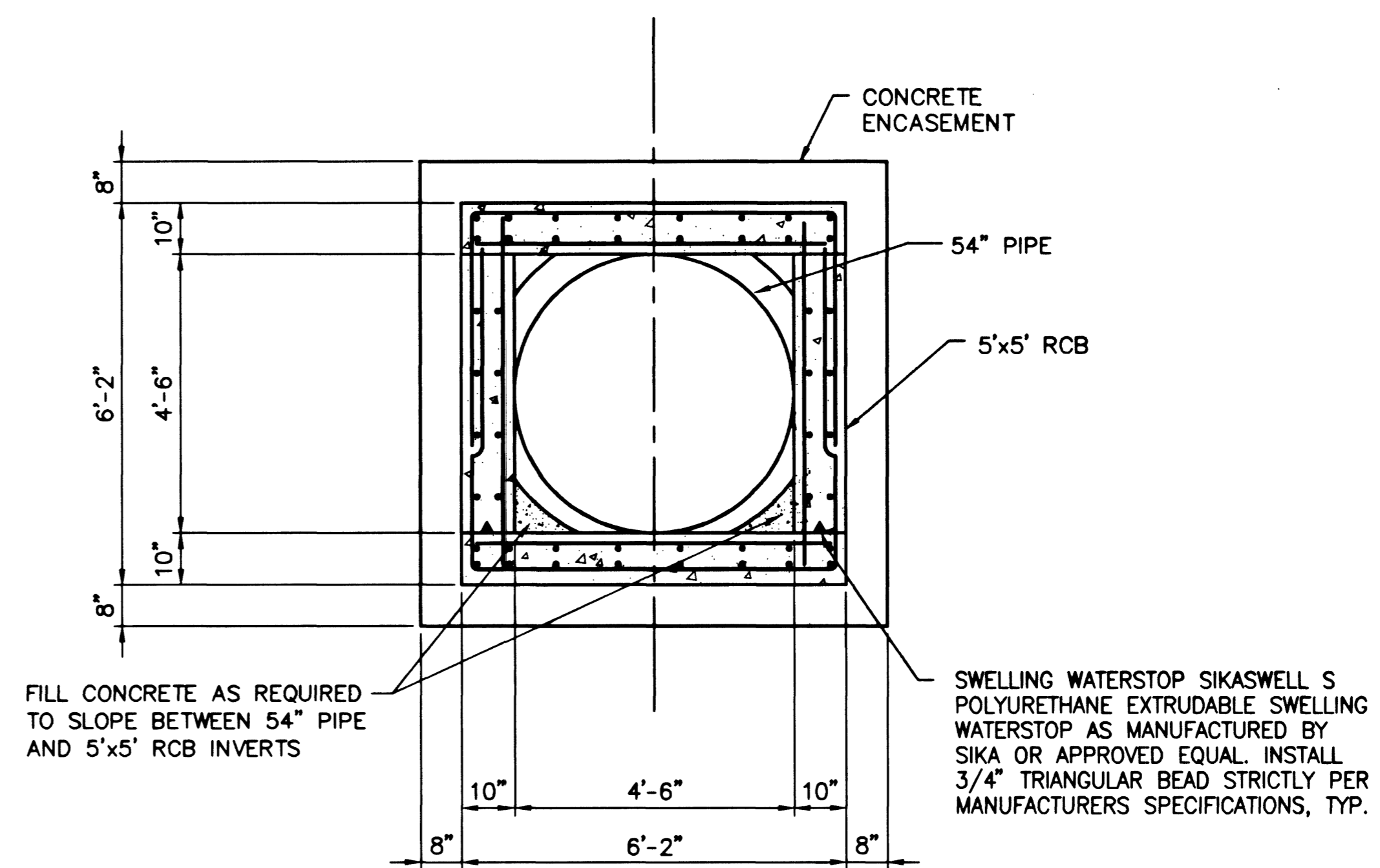
**SECTION**

SCALE: 1/2" = 1'-0"



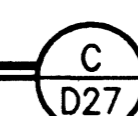
**SECTION**

SCALE: 1/2" = 1'-0"



**SECTION**

SCALE: 1/2" = 1'-0"



**R2H ENGINEERING, INC.**  
CONSULTING STRUCTURAL ENGINEERS  
11848 WEST BERNARDO CT., SUITE 300  
SAN DIEGO, CA 92127  
PHONE (619) 673-8418  
FAX (619) 673-8418

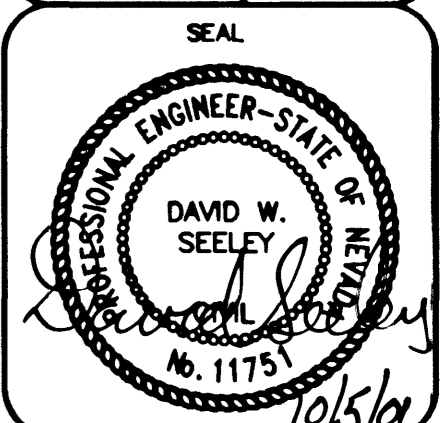
REV	DATE	BY	REASON

DEPARTMENT OF PUBLIC WORKS  
CITY OF LAS VEGAS



CONSULTING ENGINEERS • PLANNERS • LAND SURVEYORS  
2727 SOUTH RAINBOW BOULEVARD  
LAS VEGAS, NEVADA 89146-5148 PHONE (702) 873-7550 FAX (702) 362-2597

TITLE  
**STRUCTURAL DETAILS**  
TRANSITION STRUCTURE No. 8  
PROJECT  
TORREY PINES STA. 14+00.00 TO 14+10.00  
ANN ROAD IMPROVEMENTS  
US 95 TO FERRELL STREET



NO. NO.	5548
BY	TMM
DATE	10/05/01
SCALE	HORIZ. 1/2" = 1'-0" VERT. N/A
DRAWING	SHEET 40
D27	OR 163 SHEETS

PLT-1  
L:\CAD\WORK\15548\DETAILS\TRANS-STR.DWG