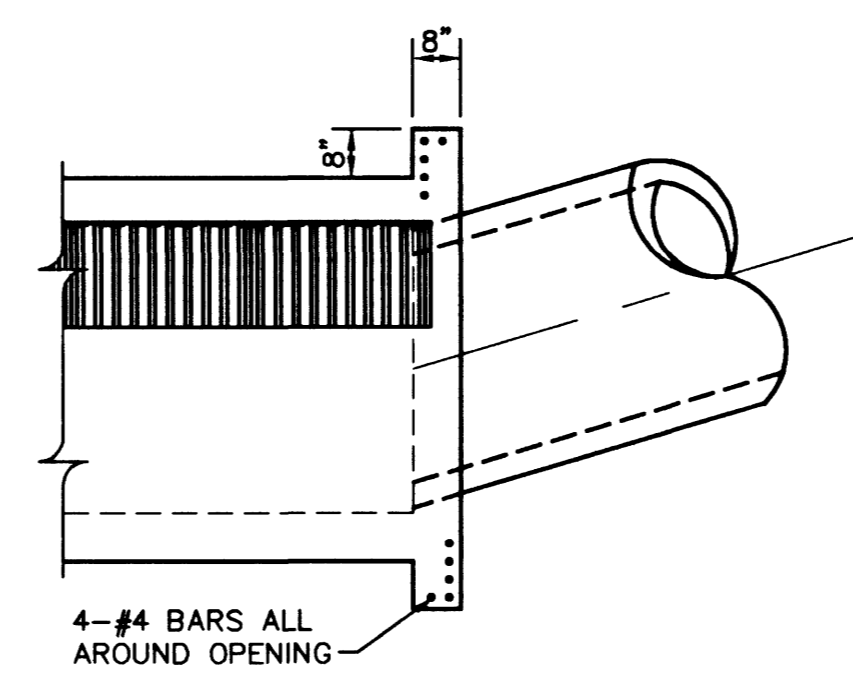
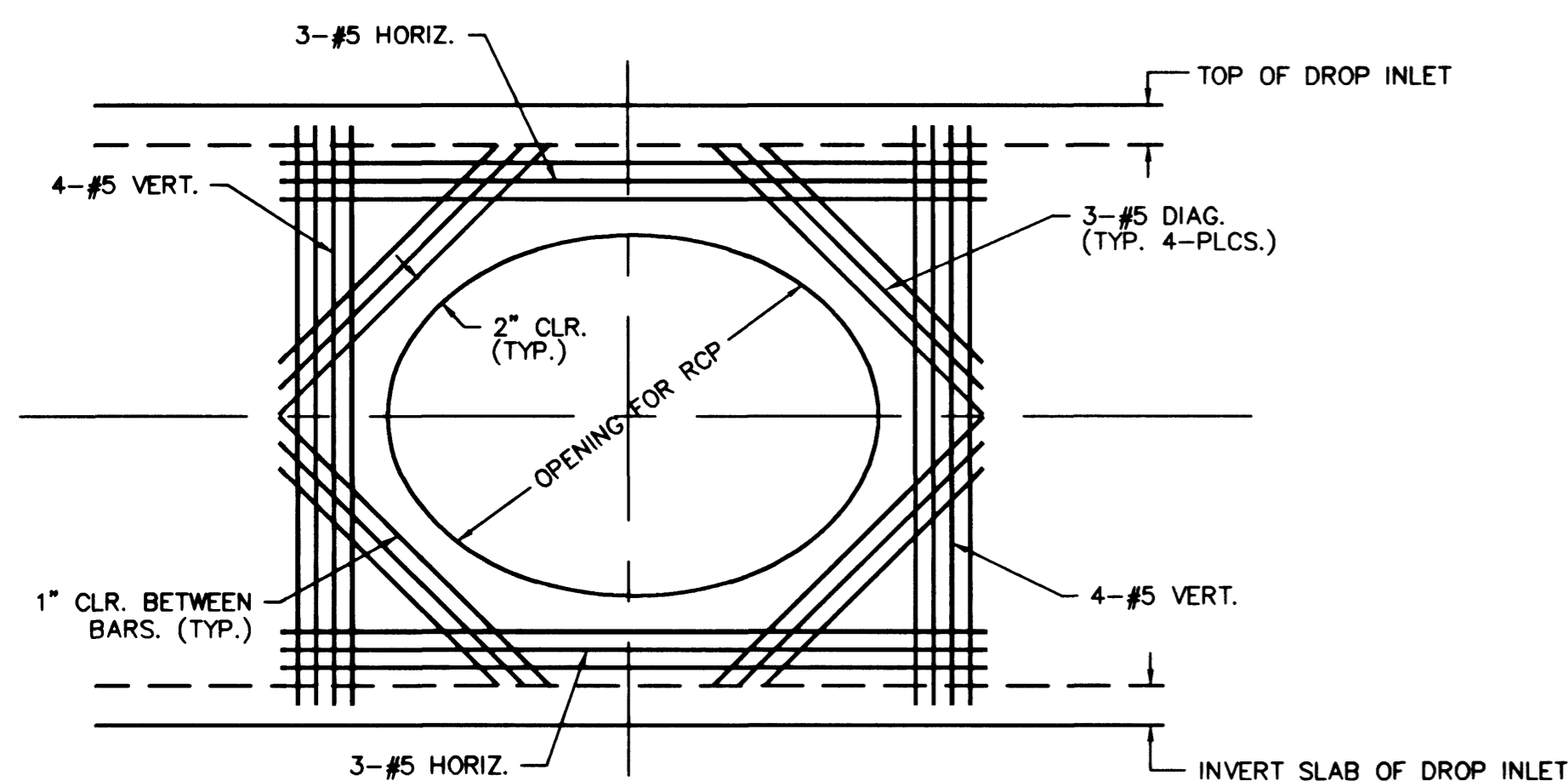


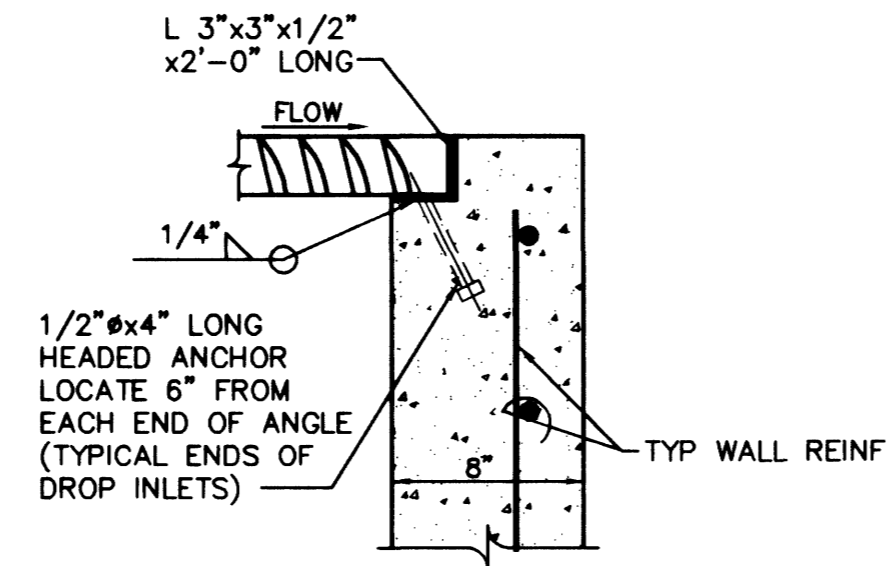
TYPE 'DM2' DROP INLET PLAN VIEW
SCALE 3/8"=1'



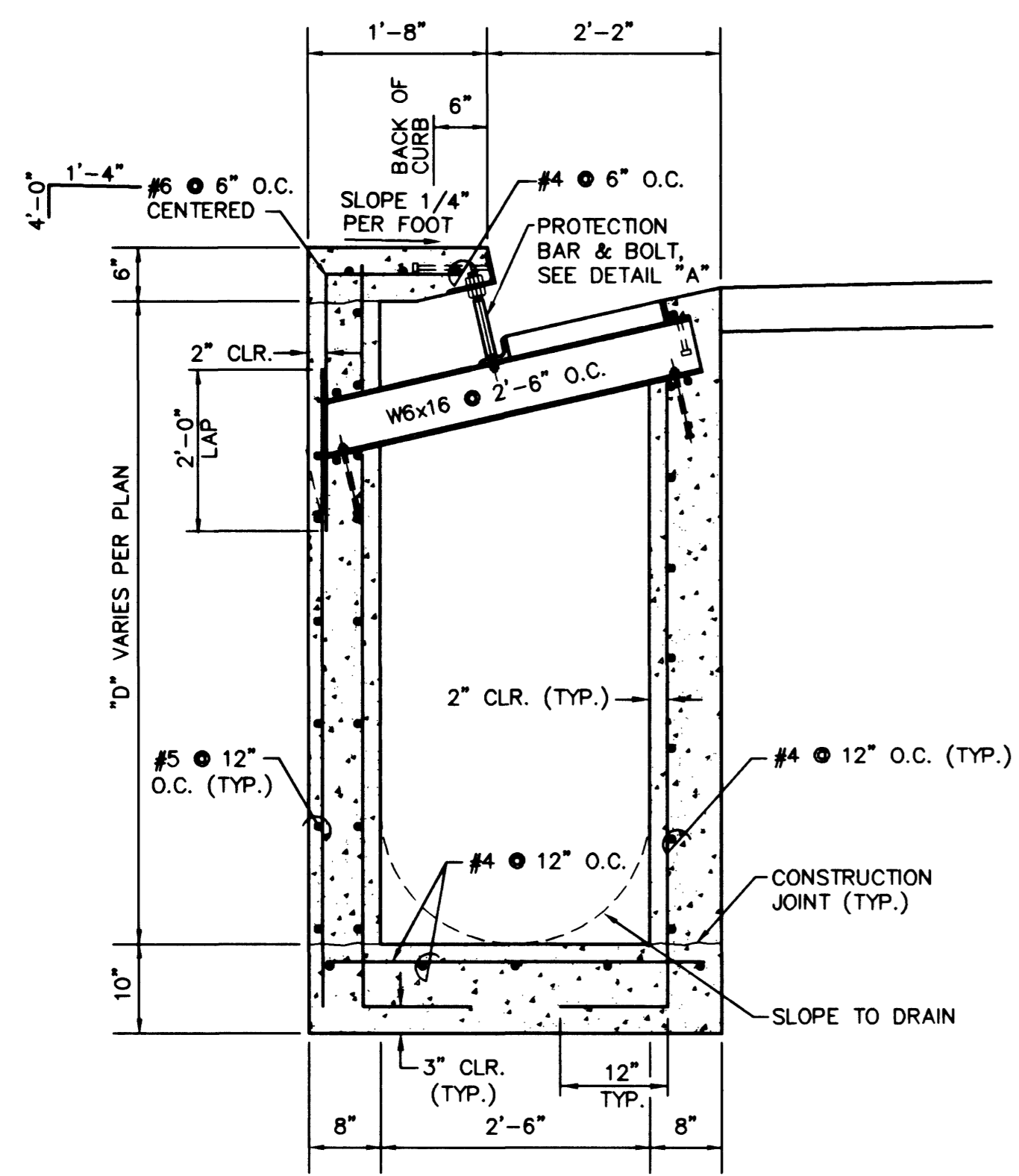
ALTERNATE CONNECTION DETAIL
SCALE 3/8"=1'



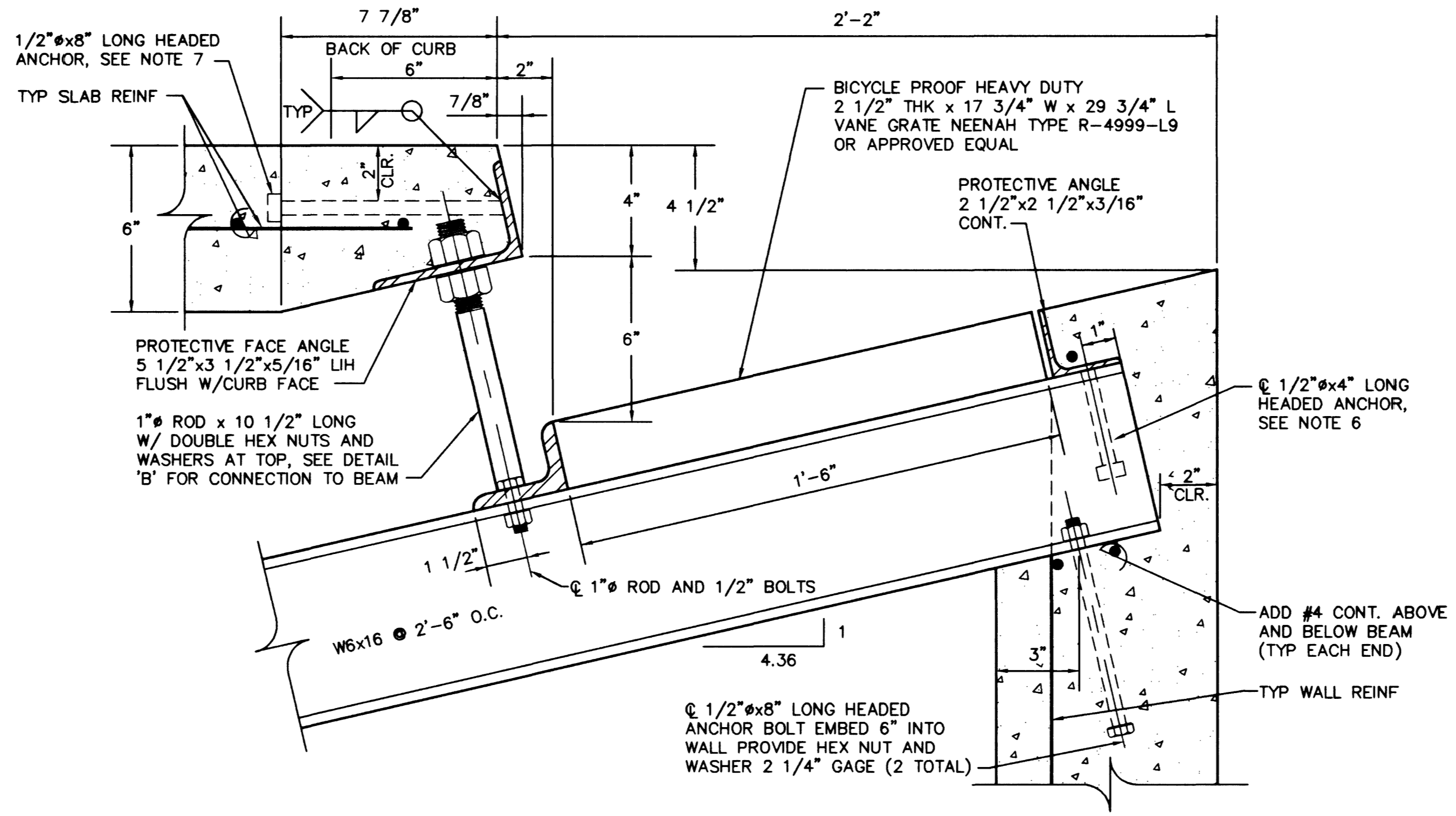
SECTION 'A'
SCALE 3/4"=1'



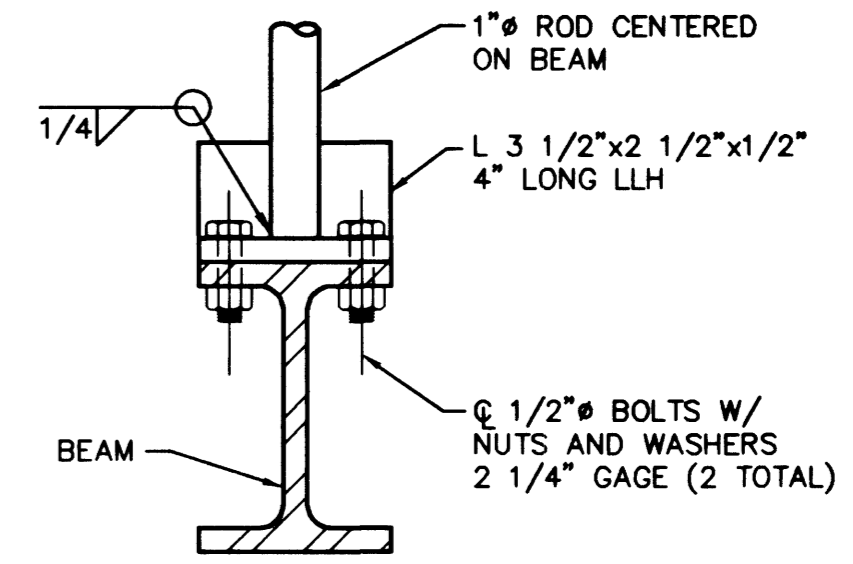
SECTION 'B'
SCALE 1-1/2"=1'



TYPE 'DM2' DROP INLET SECTION
SCALE 3/4"=1'



DETAIL 'A' - PROTECTIVE FACE AND ROD
SCALE 3"=1'



DETAIL 'B'
SCALE 3"=1'

STRUCTURES GENERAL NOTES:

- DESIGN SPECIFICATIONS: ACI 318-95 BUILDING CODE REQUIREMENTS FOR STRUCTURAL CONCRETE
- AASHTO STANDARD SPECIFICATIONS FOR HIGHWAY BRIDGES, 1996
- CONSTRUCTION SPECIFICATIONS: UNIFORM STANDARD SPECIFICATIONS FOR PUBLIC WORKS CONSTRUCTION OFF-SITE IMPROVEMENTS, CLARK COUNTY, NEVADA 1986 EDITION.
- DESIGN METHOD: LOAD FACTOR DESIGN
- LIVE LOAD: AASHTO STANDARD HS20-44 AT BOX CULVERTS.
- CONCRETE: CLASS AA MODIFIED, MAJOR $f_c=4,000$ psi CEMENT - ASTM C150 TYPE V.
- REINFORCING STEEL: ASTM A615 $f_y=60,000$ psi

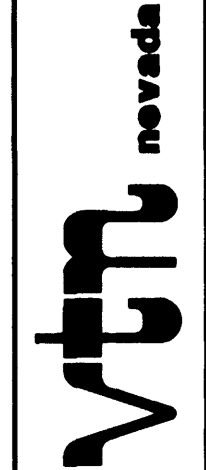
NOTES:

- ALL EXPOSED METALS SHALL BE HOT DIP GALVANIZED AFTER FABRICATION.
- PROVIDE 1/2" (MIN.) CLEARANCE ALL AROUND THE STEEL BEAM, DRY PACK AFTER INSTALLATION.
- WHEN REQUIRED BY LENGTH OF OPENING, PLATE ANGLE MAYBE DELIVERED IN SECTIONS AND BUTT WELDED IN PLACE.
- ALL GALVANIZING DAMAGED BY WELDING SHALL RECEIVE TWO COATS OF GALVALLOY OR EQUAL.
- CONCRETE SHALL BE MODIFIED CLASS AA, SEE SPECIAL PROVISIONS SECTION 501.
- ANGLE ANCHORS SHALL BE EMBEDDED MIDPOINT IN EACH ENDWALL AND EVENLY SPACED. (MAXIMUM SPACING OF 2')

REINFORCEMENT TABLE

D	VERTICAL BAR SIZE
5'-0" OR LESS	#4 @ 12"
5'-0" TO 10'-0"	#5 @ 12"
10'-0" TO 15'-0"	#6 @ 5"

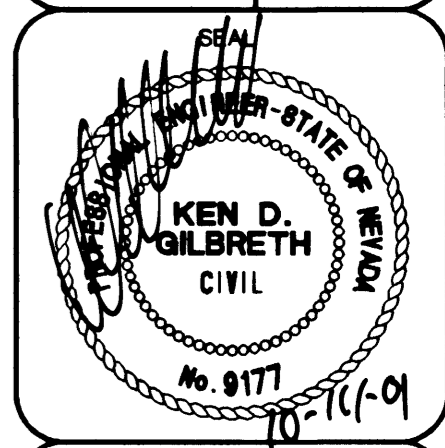
DEPARTMENT OF PUBLIC WORKS
CITY OF LAS VEGAS, NEVADA



CONSULTING ENGINEERS • PLANNERS • LAND SURVEYORS
2727 SOUTH RAINBOW BOULEVARD
LAS VEGAS, NEVADA 89102-5148 PHONE (702) 873-7550 FAX (702) 362-2597

TITLE
TYPE "DM2" DROP INLET DETAILS

PROJECT
**ANN ROAD IMPROVEMENTS
US 95 TO FERRELL STREET**



NO. NO.	5548
BY	LMW
DATE	10/05/01
SCALE	HORIZ. NONE VERT. NONE
DRAWING	SHEET 22 OF 163 SHEETS

VIEW: PS = "PLT"
I:\CAD\PLUMB\5548\DETAILS\009.DWG