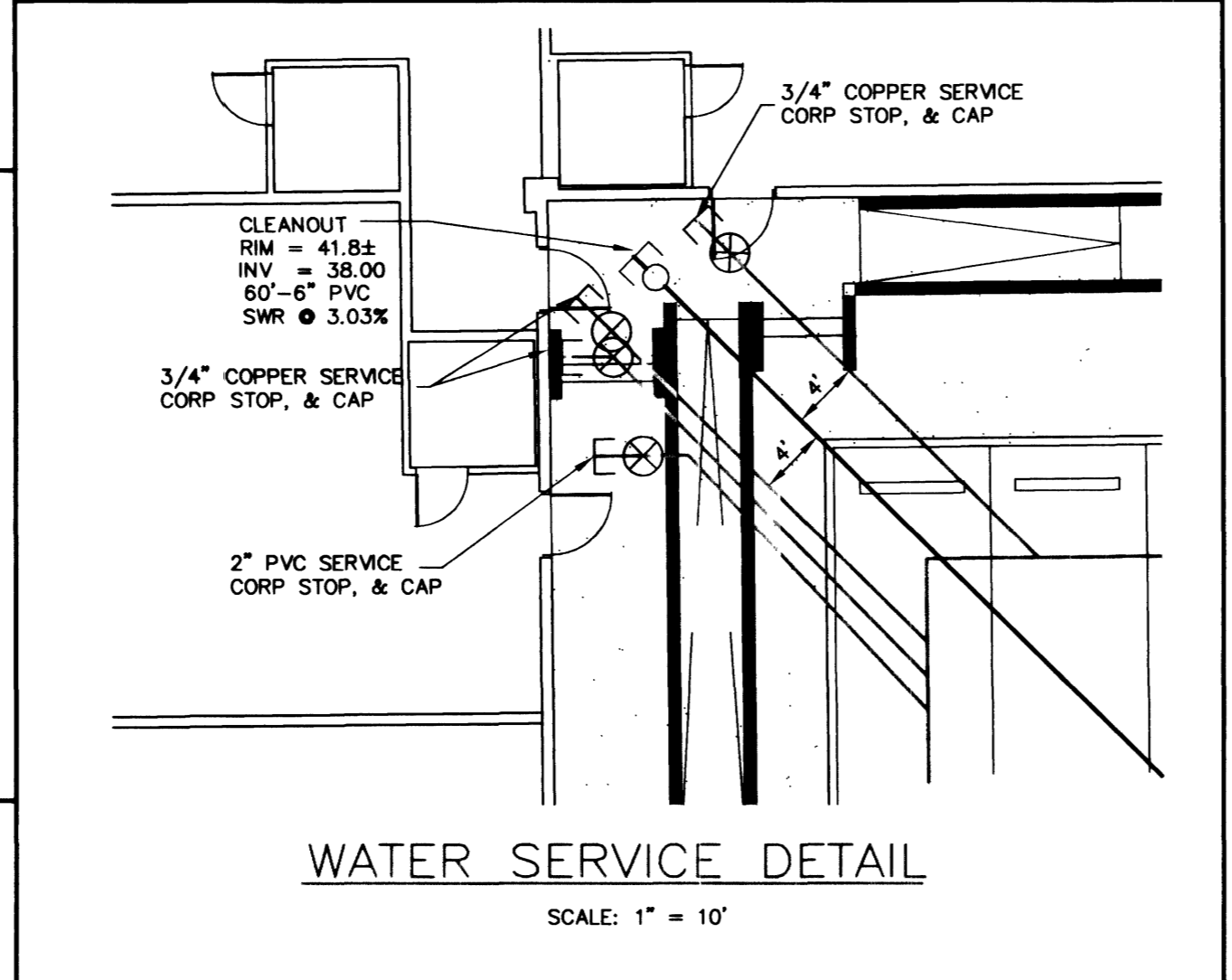
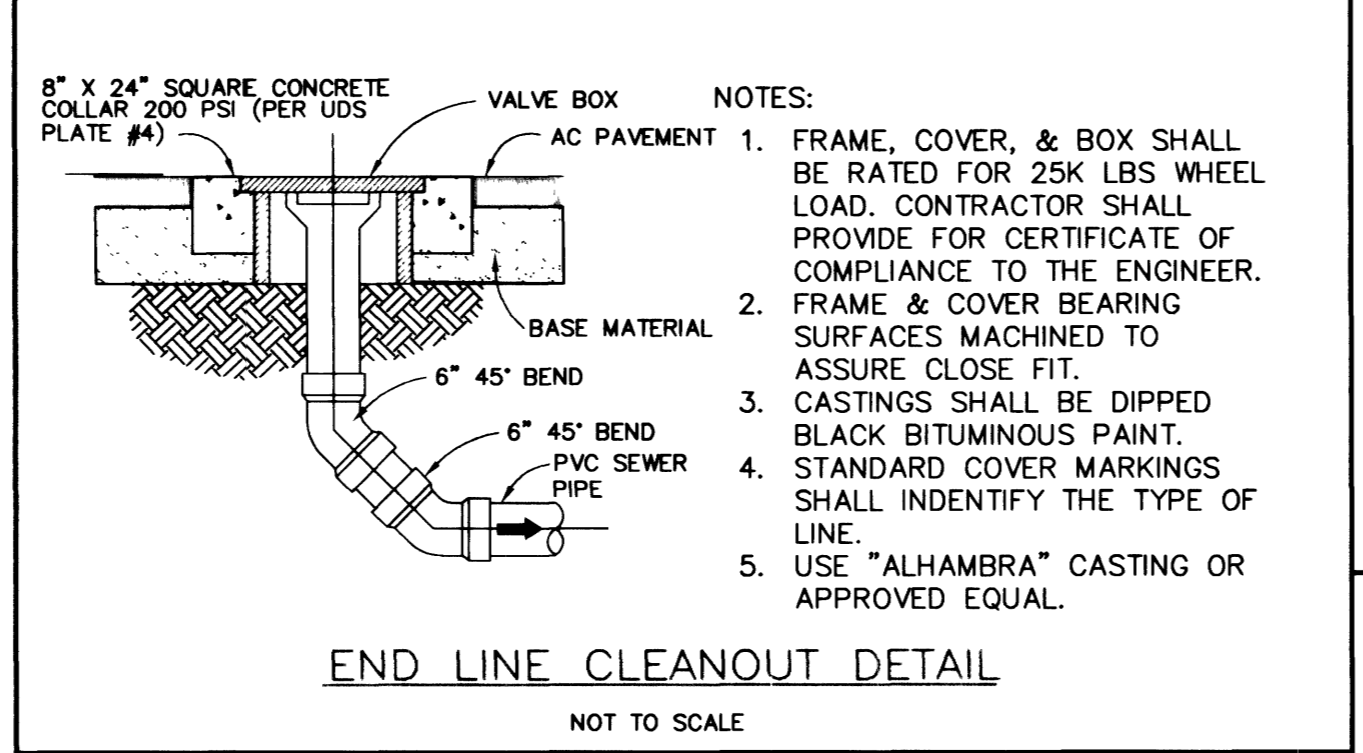
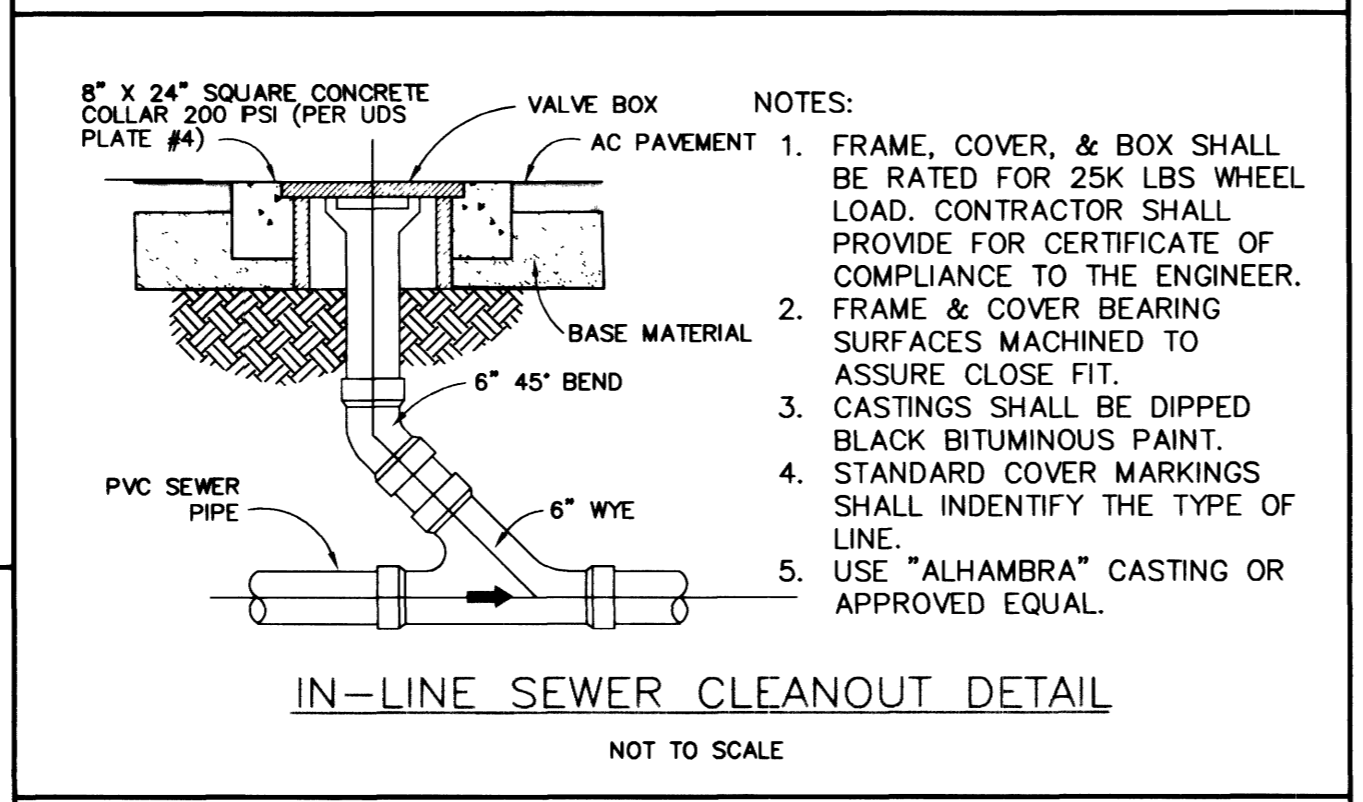
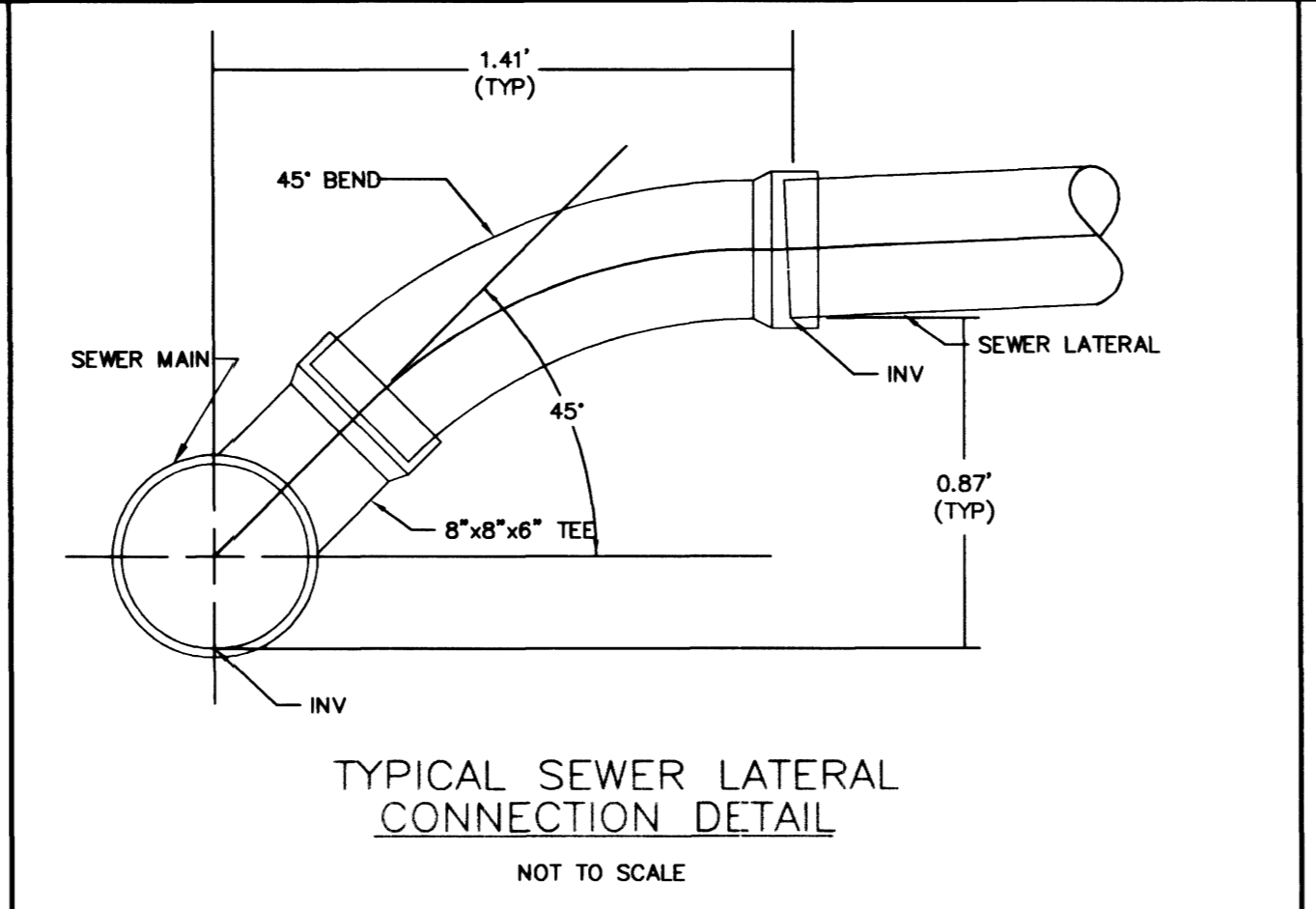
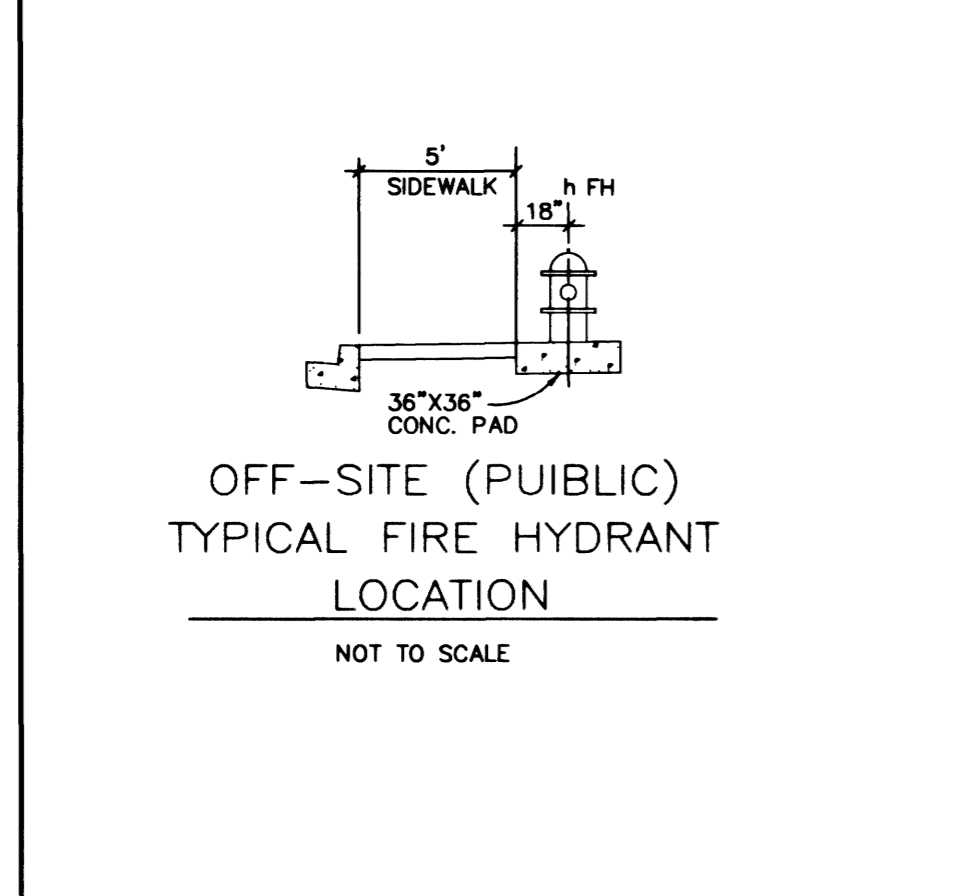
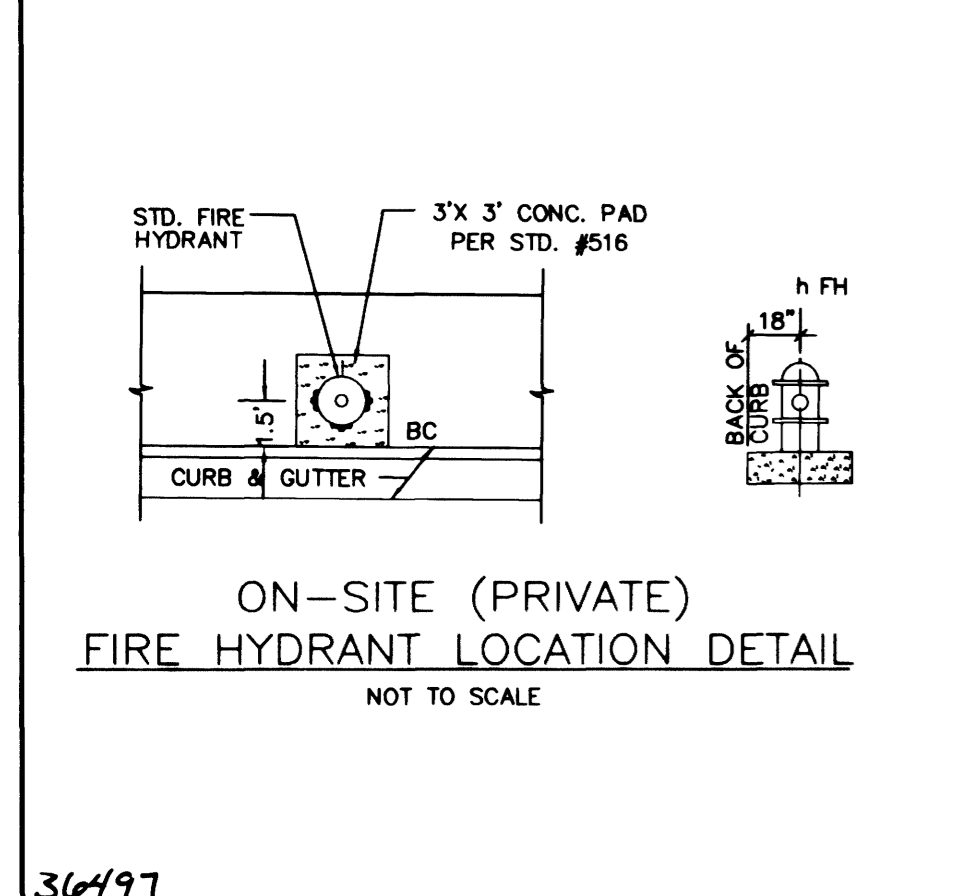
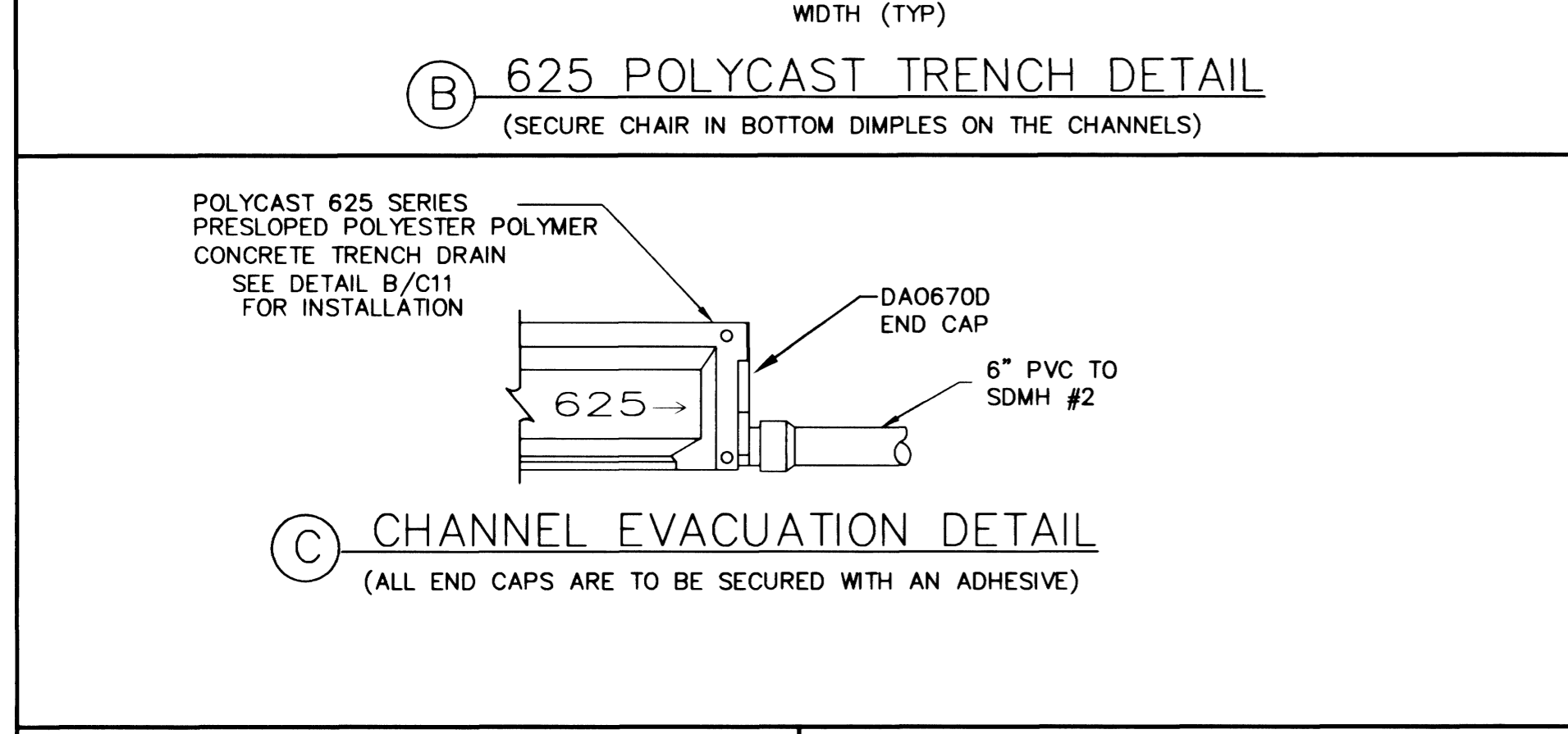
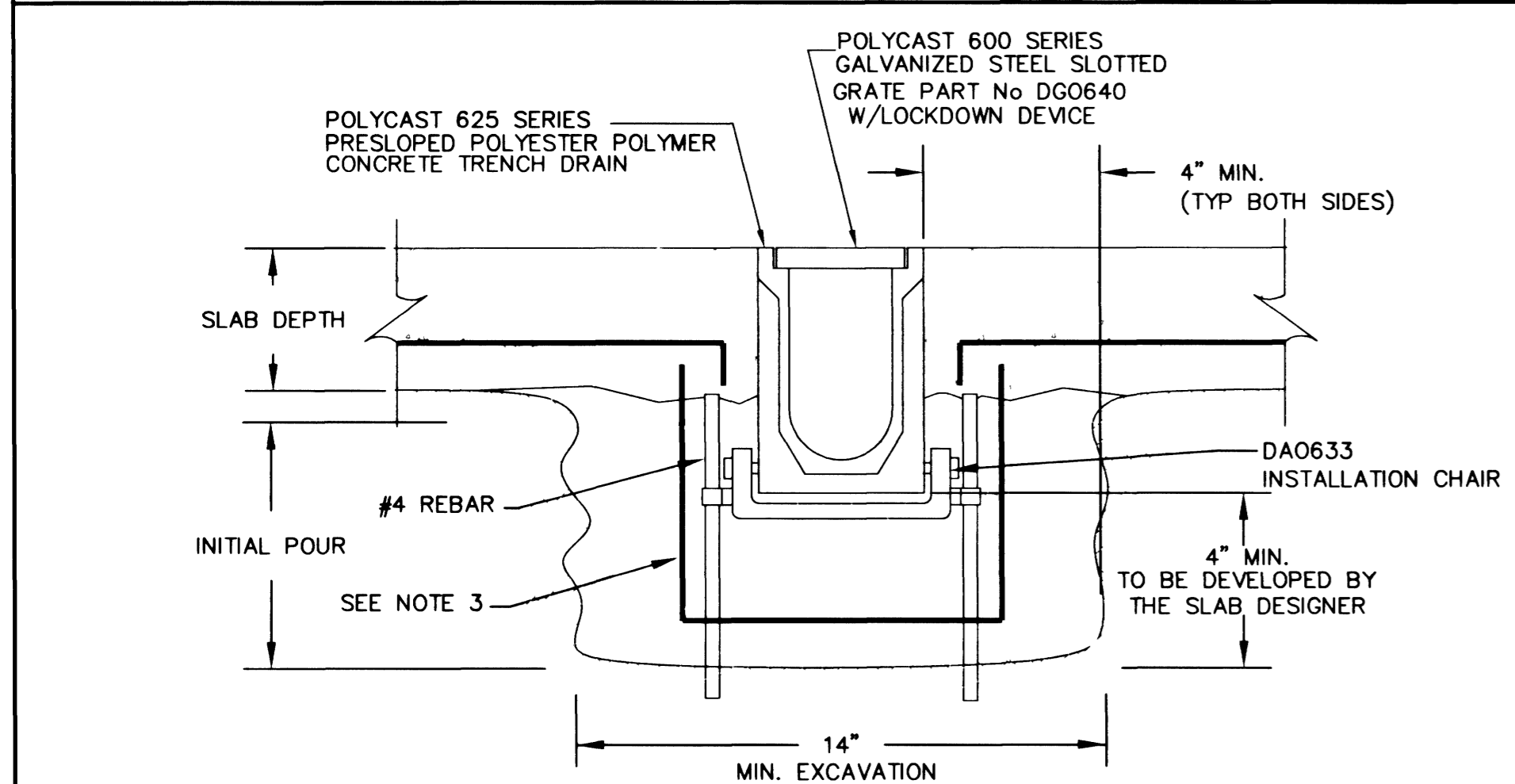
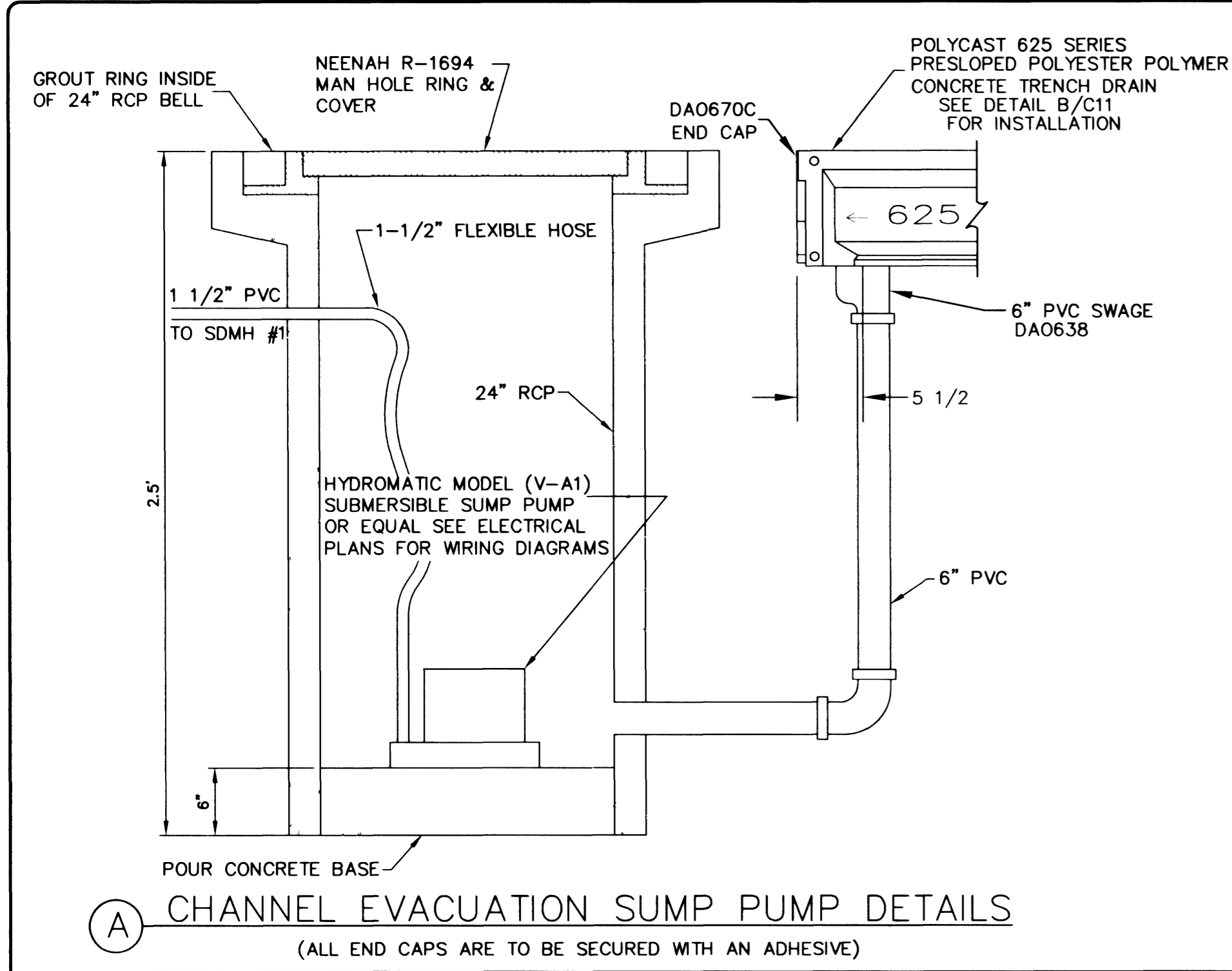
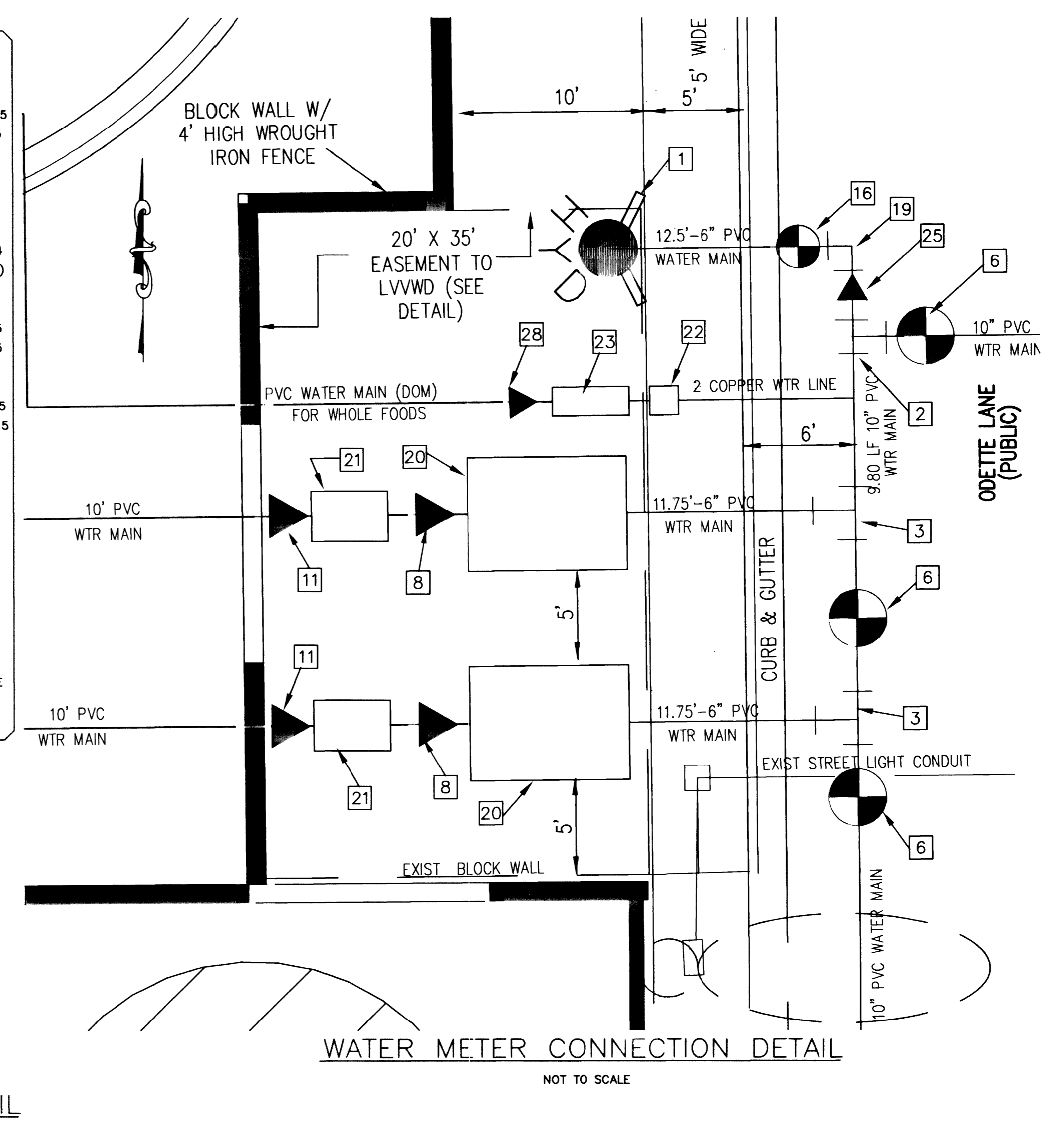
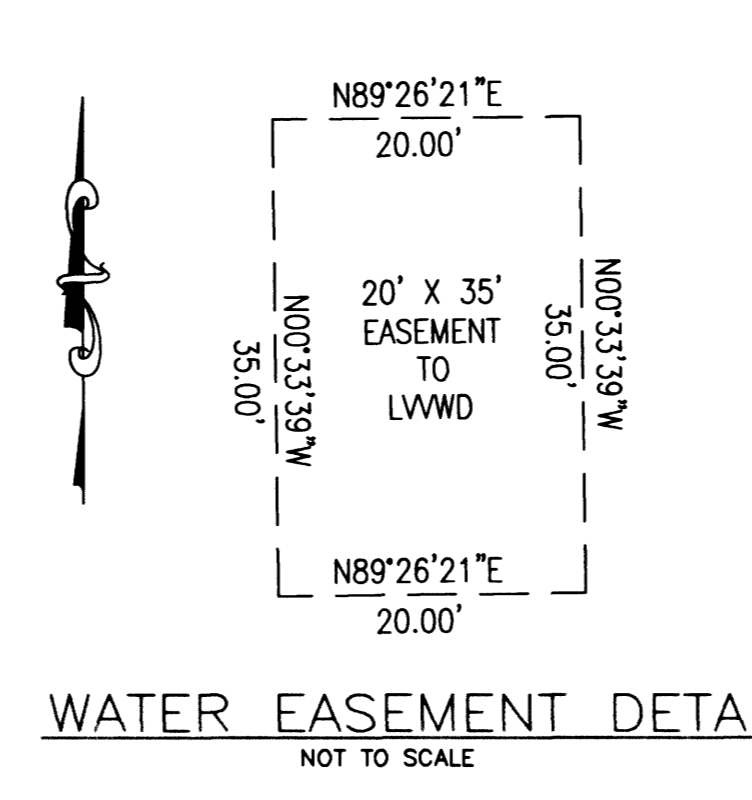


02-2001-603



- CONSTRUCTION NOTES**
1. INSTALL FIRE HYDRANT ASSEMBLY PER UDACS PLATE No. 7
  2. INSTALL 10" x 10" x 10" TEE PER UDACS PLATE No. 5
  3. INSTALL 10" x 10" x 6" TEE PER UDACS PLATE No. 5
  4. INSTALL 10" 90° BEND PER UDACS PLATE No. 5
  5. INSTALL 8" GATE VALVE PER UDACS PLATE No. 3
  6. INSTALL 10" GATE VALVE PER UDACS PLATE No. 3
  7. INSTALL 6" x 6" x 6" TEE PER UDACS PLATE No. 5
  8. INSTALL 8" x 6" REDUCER
  9. INSTALL CAP w/ 2" BLOWOFF PER UDACS PLATE No. 4
  10. INSTALL 8" x 8" TAPPING TEE (COMPLETE W/VALVE)
  11. INSTALL 10" x 8" REDUCER
  12. INSTALL 10" 45° BEND PER UDACS PLATE No. 5
  13. INSTALL 10" x 10" x 8" TEE PER UDACS PLATE No. 5
  14. INSTALL 10" x 10" x 6" TEE PER UDACS PLATE No. 5
  15. INSTALL 10" GATE VALVE PER UDACS PLATE No. 3
  16. INSTALL 8" GATE VALVE PER UDACS PLATE No. 3
  17. INSTALL 10" 11-1/4" BEND PER UDACS PLATE No. 5
  18. INSTALL 10" 22-1/2" BEND PER UDACS PLATE No. 5
  19. INSTALL 6" 90° BEND PER UDACS PLATE No. 5
  20. INSTALL 6" x 2" F.M.C.T COMBINATION FIRE & DOMESTIC METER PER UDACS PLATE No. 21D
  21. INSTALL 8" RPPA PER UDACS PLATE 11B
  22. INSTALL 2" METER PER UDACS PLATE No. 1C
  23. INSTALL 2" RPPA PER UDACS PLATE No. 11A
  24. INSTALL 8" x 8" x 6" TEE PER UDACS PLATE No. 5
  25. INSTALL 10" x 6" REDUCER
  26. INSTALL 2" CORP STOP AND CAP
  27. INSTALL 8" 90° BEND PER UDACS PLATE No. 5
  28. INSTALL 3" CORP STOP AND CAP
  29. INSTALL 3/4" CORP STOP AND CAP
  30. INSTALL AWWA C-900 CL-100 WATER QUALITY PIPE (APPROXIMATELY 500 LF)



**NOTE**  
NDOT PERMIT IS REQUIRED FOR CONSTRUCTION WORK IN CHARLESTON BLVD. RIGHT OF WAY.

**Call before you Overhead**  
1-702-593-6111  
NEVER TAP OR DIG WITHOUT CALLING FIRST

**Call before you Dig**  
1-800-227-2600  
UNDERGROUND SERVICE ALERT (USA)

**FIRE HYDRANT INSTALLATION**  
FIRE HYDRANT(S) TO BE INSTALLED IN ACCORDANCE WITH THE UDACS STANDARD PLATE No. 7

**WATER PRESSURE NOTE**  
THIS PROJECT IS SERVED BY WATER FROM THE 2860 PRESSURE ZONE. THE APPROXIMATE STATIC PRESSURE AT THE FIRST FLOOR OF THE BUILDINGS IS 50-62 P.S.I. A PRESSURE REDUCTION VALVE IS NOT REQUIRED FOR THE DOMESTIC SERVICE TO THE BUILDING.

**BENCHMARK**  
NATIONAL GEODETIC VERTICAL DATUM OF 1929 (USED)  
1LV105NWS, RIVET & PLATE IN TOP OF CURB ON THE EAST SIDE OF FORT APACHE & ±370 FEET NORTH OF PECCOLE STRADA, CITY OF LAS VEGAS DATUM  
ELEVATION = 2755.528  
(FOR CONVERSION TO 1988 DATUM, ADD 2.52')

**BASIS OF BEARINGS**  
NORTH 89°26'21" EAST, BEING THE BEARING OF THE SOUTH LINE OF THE SOUTHWEST QUARTER (SW 1/4) OF THE SOUTHWEST QUARTER (SW 1/4) OF SECTION 32, TOWNSHIP 20 SOUTH, RANGE 80 EAST, MOUNT DIABLO MERIDIAN AS SHOWN ON THAT CERTAIN PLAT ON FILE THE CLARK COUNTY RECORDER IN BOOK 45, PAGE 83 OF PLATS.

**REDUCED PRESSURE PRINCIPLE ASSEMBLY**  
(1) - 2" - (PER PLATE No. 11A)  
(2) - 8" (FEBCO 880V) (PER PLATE No. 11B)  
APPROVED REDUCED PRESSURE PRINCIPLE ASSEMBLY(S) SHALL BE INSTALLED PER THE UDACS PLATE No. 11A & 11B. NO WATER SHALL BE TAKEN FROM A SERVICE REQUIRING BACKFLOW PREVENTION UNTIL THE REDUCED PRESSURE PRINCIPLE ASSEMBLY HAS BEEN SUCCESSFULLY TESTED BY THE LVWD.  
ANY BLOCK WALL OR OTHER FENCE MATERIAL SHALL BE DESIGNED AND CONSTRUCTED AROUND THE OUTSIDE OF THE EASEMENT(S) TO ALLOW THE DISTRICT DIRECT ACCESS FROM THE ADJACENT RIGHT-OF-WAY.

**INSTALLATION OF COMBINATION METER ASSEMBLY**  
(1) 6" x 2" FMCT COMBINATION METER  
W/O BYPASS AND W/O DOUBLE CHECK VALVE  
THE COMBINATION METER ASSEMBLIES SHALL BE INSTALLED IN ACCORDANCE WITH THE UDACS PLATE 21D AND VAULT CONSTRUCTION PER STANDARD DWG C-475.  
ANY BLOCK WALL OR OTHER FENCE MATERIAL SHALL BE DESIGNED AND CONSTRUCTED AROUND THE OUTSIDE OF THE EASEMENT(S), SO AS TO ALLOW THE DISTRICT DIRECT ACCESS FROM THE ADJACENT RIGHT-OF-WAY.

**APPROVAL:**  
LAS VEGAS VALLEY WATER DISTRICT DATE  
CITY OF LAS VEGAS FIRE DEPARTMENT DATE

**PECCOLE NEVADA CORPORATION**  
851 SOUTH RAMPART, SUITE 220  
LAS VEGAS, NEVADA 89145  
933-1111

**AMEC Infrastructure, Inc.**  
3016 WEST CHARLESTON BLVD., SUITE 180  
LAS VEGAS, NEVADA 89102  
PHONE (702) 878-3617 FAX (702) 878-3716

**UTILITY DETAILS**

**CROSSROAD COMMONS S.E. COR. - CHARLESTON & FORT APACHE**  
LAS VEGAS, NEVADA

PROJECT: DESIGNER: DRAWN BY:

**PROFESSIONAL ENGINEER**  
JAMES T. ANSPACH  
CML No. 4255  
12/3/01

JOB NO. 02-2001-603  
SHEET NO. C11 of 27