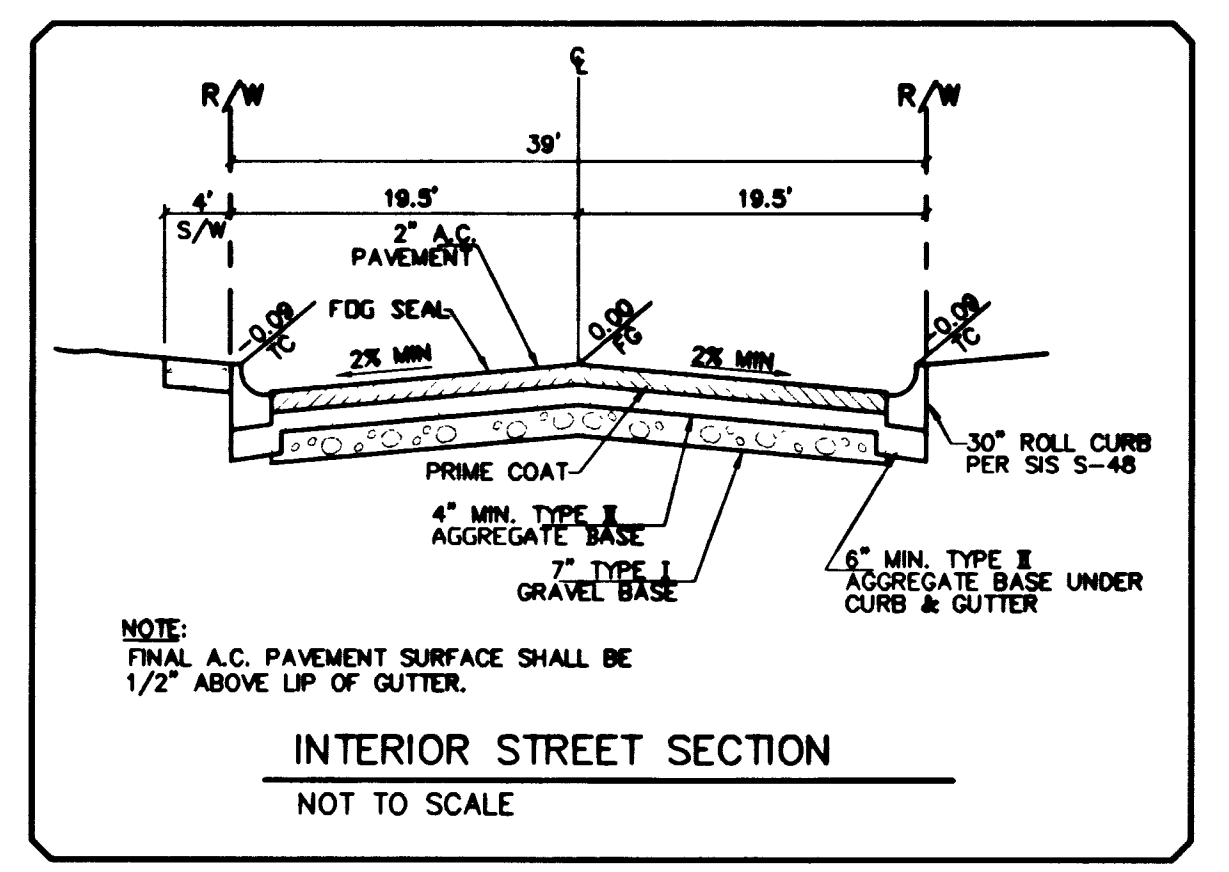
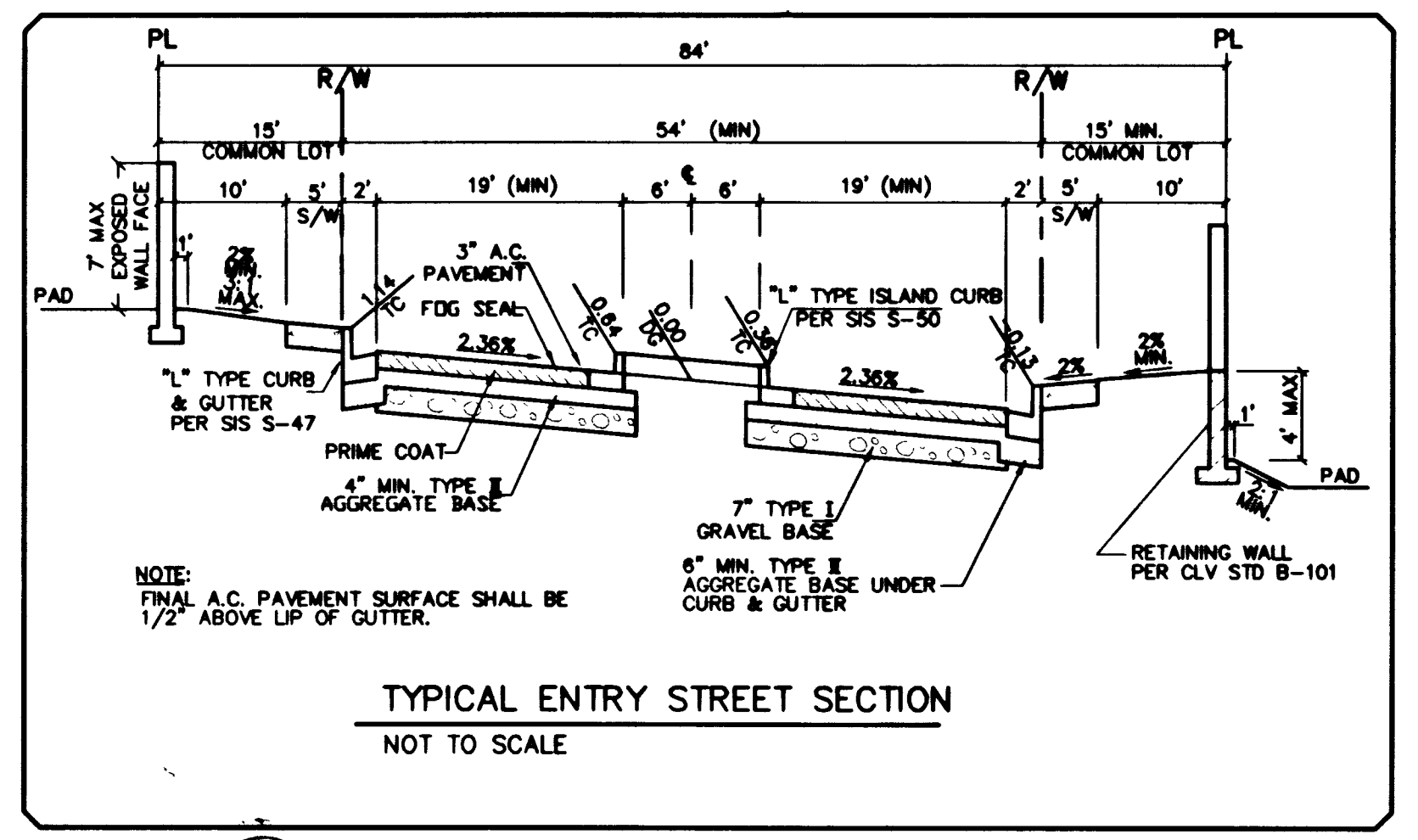


SIDEWALK RAMP TRANSITION TABLE
USD 235 CASE 1

RAMP NO.	GRADE (%)	"A" (FT.)	"B" (FT.)
[R1]	-6 TO -5.01	4.5	21.5
[R2]	-5 TO -4.01	4.5	15.0
[R3]	-4 TO -3.01	4.5	12.0
[R4]	-3 TO -2.01	4.5	9.5
[R5]	-2 TO 2	8.0	8.0
[R6]	2.01 TO 3	9.5	4.5
[R7]	3.01 TO 4	12.0	4.5
[R8]	4.01 TO 5	15.0	4.5
[R9]	5.01 TO 6	21.5	4.5

Curve Table

No.	Radius	Delta	Tangent	Length
1	30.00	90.0000	30.00	47.12
2	20.00	90.0000	20.00	31.42
3	6.00	180.0000	6.00	18.85
4	50.00	241.5191	10.75	16.37
5	50.00	0142.577	0.75	1.50
6	49.00	44.3514	20.09	38.33
7	49.00	38.8411	17.18	33.00
8	49.00	43.0309	19.33	36.82
9	49.00	10.2617	4.48	8.93
10	50.00	25.5283	11.53	22.97
11	30.00	84.4625	27.38	44.39
12	20.00	85.4640	18.58	29.94
13	20.00	84.3320	21.53	32.89
14	519.50	082.411	17.00	25.24
15	500.00	0102.04	4.51	9.03
16	500.00	0810.07	22.57	45.11
17	500.00	0208.00	9.39	18.79
18	539.00	0250.02	13.33	26.66
19	539.00	0447.37	22.56	45.09
20	539.00	0250.38	11.81	23.62
21	500.00	0229.25	10.87	21.74
22	500.00	0250.02	13.33	26.66
23	500.00	0447.37	22.56	45.09
24	500.00	0250.38	11.81	23.62
25	500.00	0229.25	10.87	21.74
26	500.00	0250.02	13.33	26.66
27	500.00	0447.37	22.56	45.09
28	500.00	0250.38	11.81	23.62
29	20.00	84.3320	21.53	42.63
30	461.00	1130.32	46.46	92.90
31	539.00	0348.51	17.95	35.88
32	20.00	87.2730	17.68	35.36
33	50.00	21.121	12.00	24.00
34	40.50	2149.41	7.81	15.61
35	40.50	12904.55	85.07	171.14
36	40.50	10843.11	56.33	112.67
37	25.00	13853.14	66.67	133.34
38	500.00	0011.12	0.81	1.61
39	500.00	0522.08	23.44	46.87
40	500.00	0274.45	3.63	7.26
41	500.00	0032.26	2.36	4.72
42	500.00	0453.08	21.53	42.63
43	500.00	0829.25	33.46	66.90
44	500.00	0522.08	23.44	46.87
45	20.00	88.5538	19.63	39.24
46	30.00	4101.15	11.22	22.43
47	40.50	3438.29	12.63	25.26
48	40.50	9672.46	45.28	88.13
49	40.50	4308.43	15.99	31.98
50	30.00	4594.78	13.59	27.17
51	539.00	0925.33	44.44	88.87
52	20.00	3911.25	7.12	14.24
53	500.00	0522.08	23.53	47.06
54	20.00	6014.57	11.81	23.62
55	2010.00	0516.59	92.74	185.47
56	480.50	1149.12	48.42	96.84
57	519.50	1149.12	100.14	197.28
58	480.50	1057.55	46.12	91.88
59	6042.50	0128.08	75.70	151.40



Call before you do Overhead
1-702-593-6111

Call before you Dig.
1-800-227-2800

BASIS OF BEARING
CONTROL MONUMENTS 208, 209 AND 211 AS SHOWN ON THAT CERTAIN MAP ON FILE IN THE CLARK COUNTY RECORDER'S OFFICE, IN FILE 92, PAGE 42 OF SURVEYS.

BENCHMARK
CITY OF LAS VEGAS BENCHMARK #0LV09 365SW6
NAD83 REFERENCE BRASS CAP, 50' RIGHT OF STATION 870+00 CHARLESTON BLVD.
ELEVATION = 919.3496 METERS (NAVD'88)
ELEVATION = 3016.233 U.S. SURVEY FEET (CALCULATED NAVD'88)

NO.	DESCRIPTION	DATE	BY
1	CLARK COUNTY STREET ADDRESS TO BELLA VISTA	1/19/14	AD

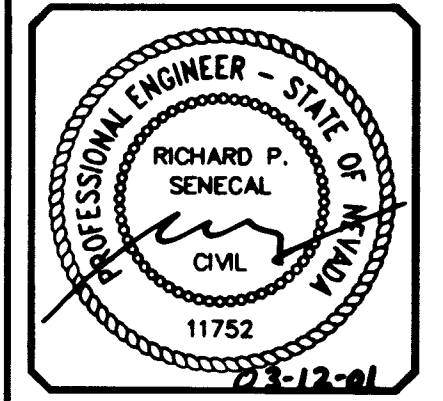
PULTE HOMES
1635 VILLAGE CENTER CIRCLE, SUITE 250
LAS VEGAS, NEVADA 89134
(702) 256-7900

PENTACORE
CIVIL ENGINEERING, LAND SURVEYING, PLANNING
CONSTRUCTION MANAGEMENT, ADA CONSULTING
LAS VEGAS, NEVADA 89149 (702) 258-0115

BAMBOO FOREST PLACE & MOONHUT LANE
PLAN AND PROFILE

BELLA VISTA AT THE VISTAS - UNIT 1

DATE	BY	DESCRIPTION
03/09/01	SLY	PLN
	POQ	DESIGNED BY
	RFS	CHECKED BY
	N/A	DATE CHECKED
	0147.0160	JOB NO.
	1" = 40'	SCALE



SHEET
5 OF 10
C.L.V. DWG.#
307Y.4663-1

C:\0147\0160\UNIT1\0161.PE.DWG

30971 31851