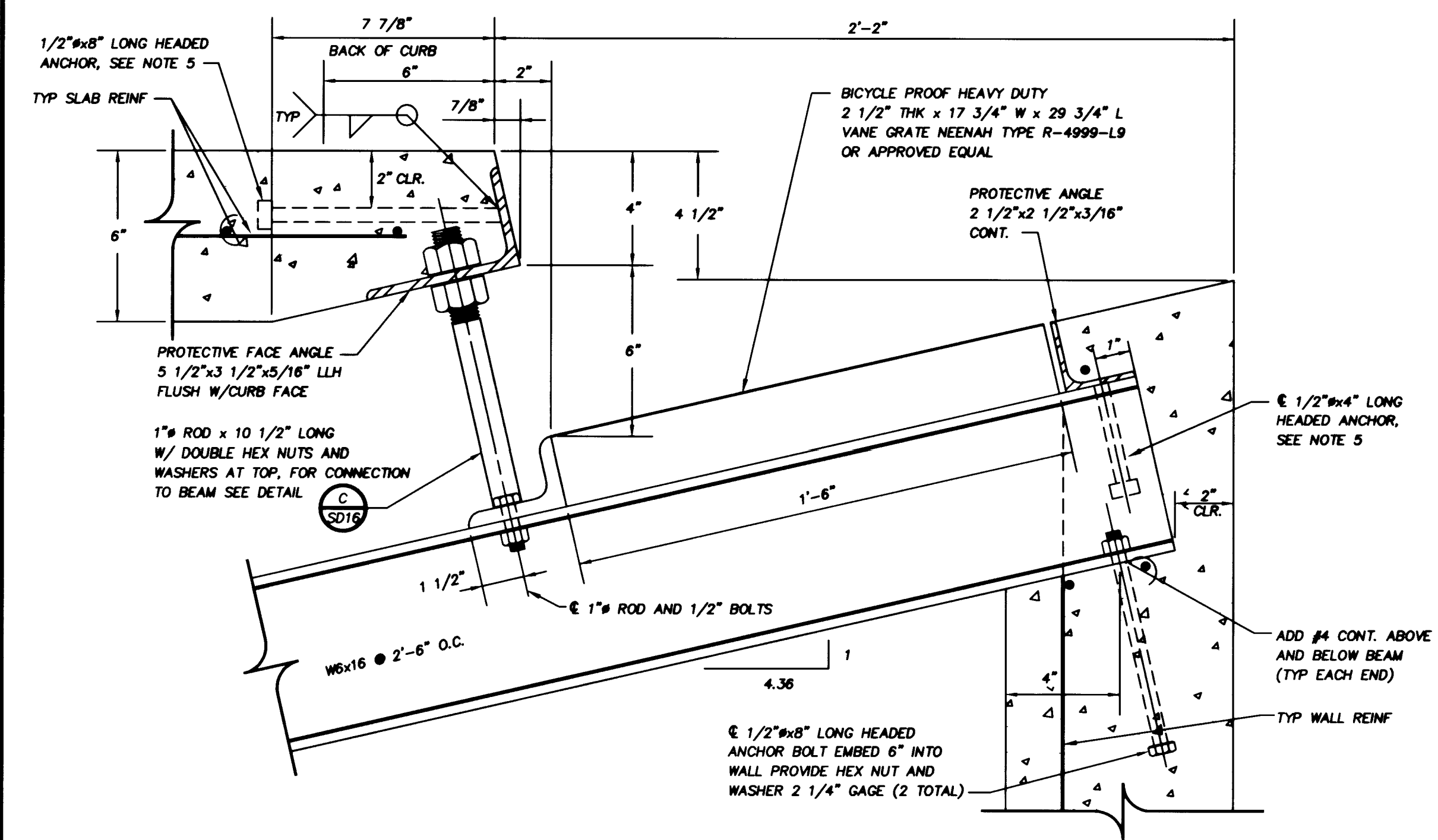
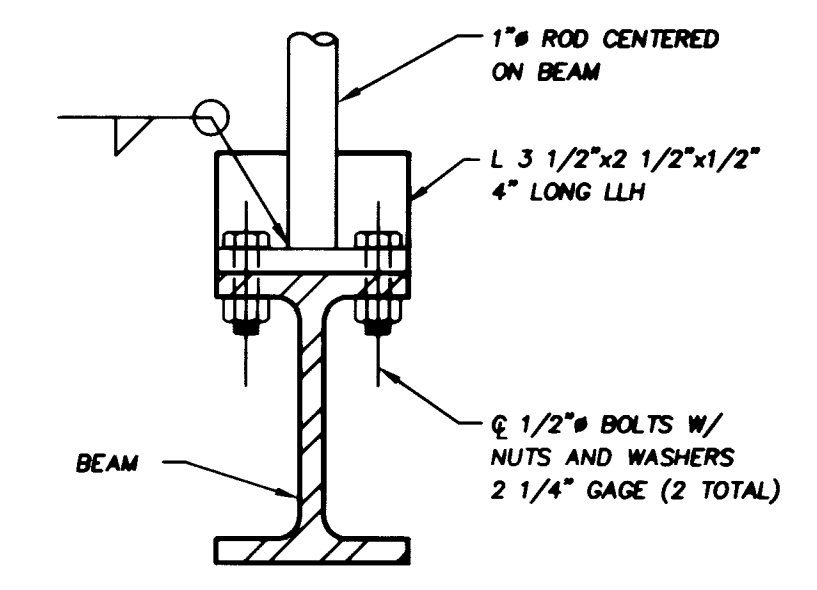


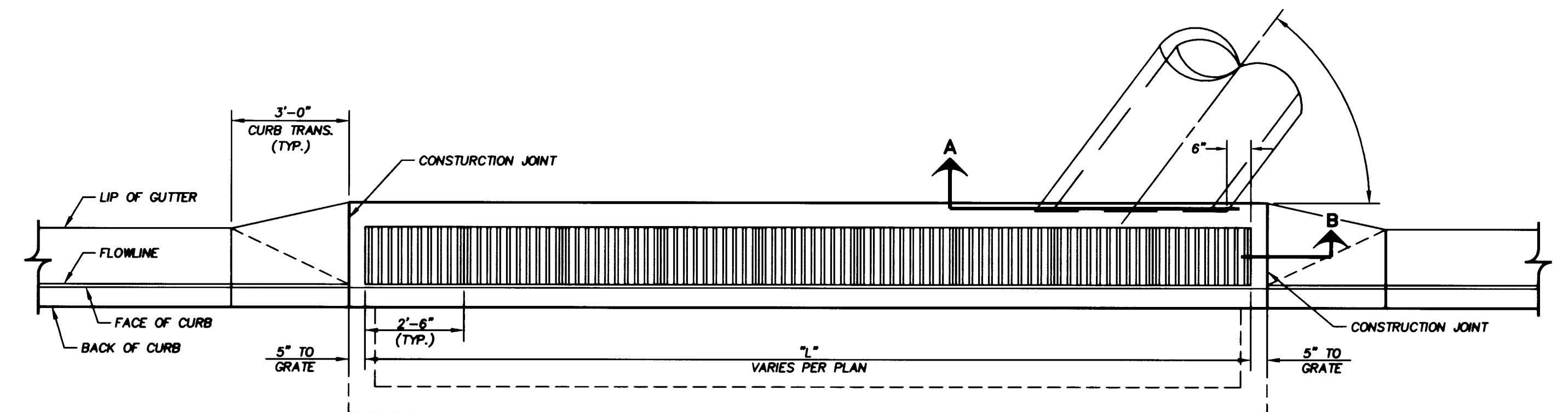
TYPE CM2 DROP INLET SECTION
SCALE 3/4"=1'-0"
A
SD16



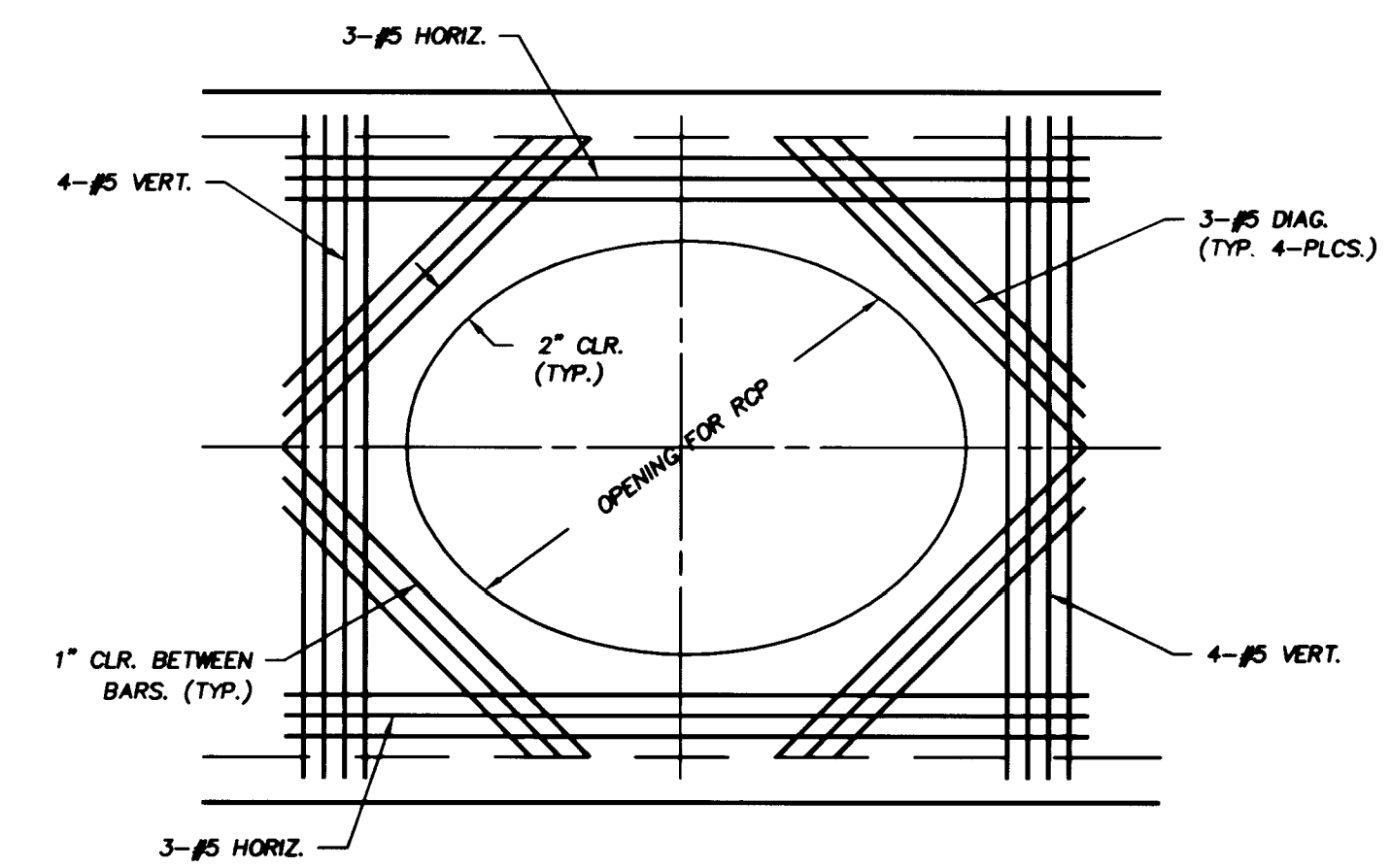
PROTECTION BAR & ROD
SCALE 3"=1'-0"
B
SD16



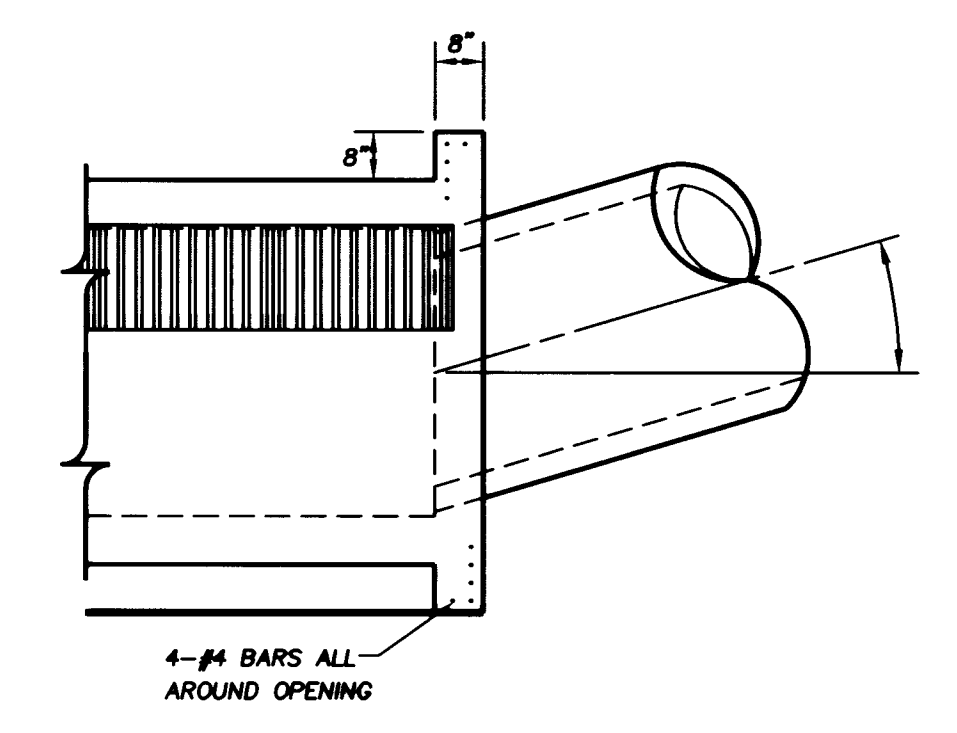
ROD CONNECTION
SCALE 3"=1'-0"
C
SD16



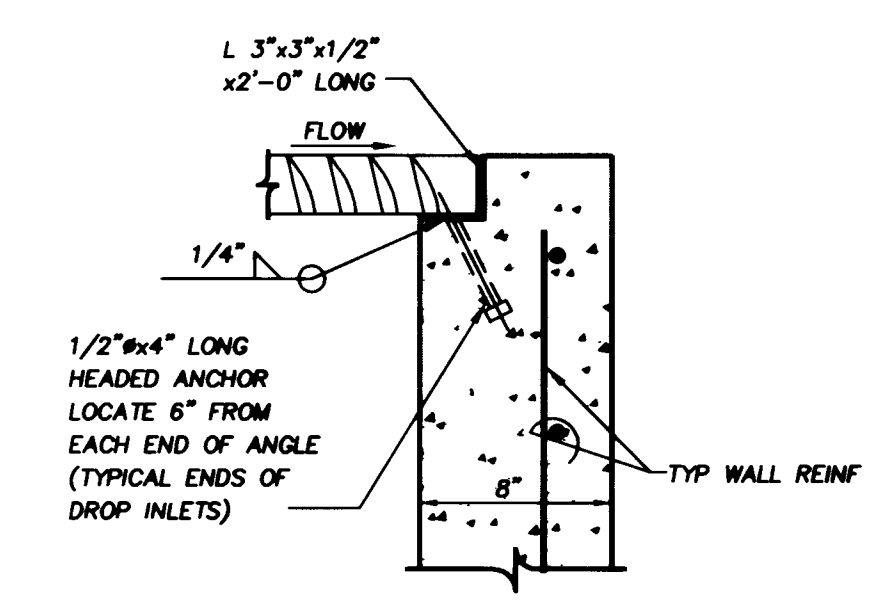
DROP INLET LAYOUT PLAN
SCALE 3/8"=1'-0"
D
SD16



SECTION 'A'
SCALE 3/4"=1'-0"



ALTERNATE CONNECTION DETAIL
SCALE 3/8"=1'-0"



SECTION 'B'
SCALE 1-1/2"=1'-0"

31667

REVISIONS		NO.		DATE		DESCRIPTION	

ENGINEERING DESIGN SECTION	CHECKED BY: W. HORLACHER	DATE: DECEMBER 06, 2000
DRAWN BY: AV	DESIGNED BY: CCV	901 N. Green Valley Pkwy. Las Vegas, Nevada 89044 Telephone: 702/267-7275 Fax: 702/267-7280
JOB NO.: 517/56		

Department of Public Works
 ALTA/RANCHO IMPROVEMENTS PHASE II
 GENERAL STORM DRAIN DETAILS

DRAWING No.	39
SD16	
PLAN#	***-V**** 56