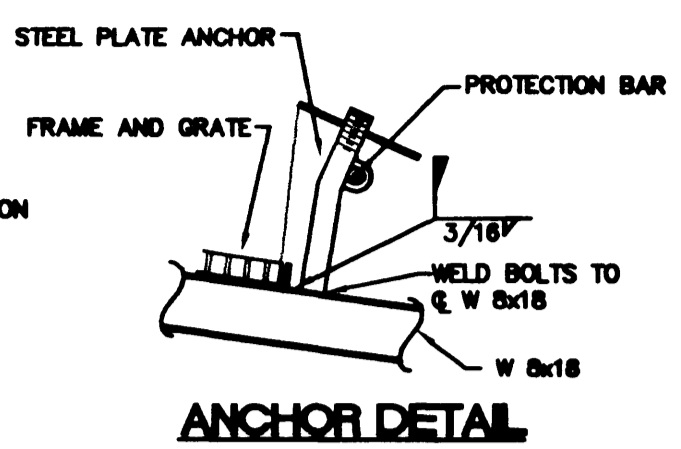
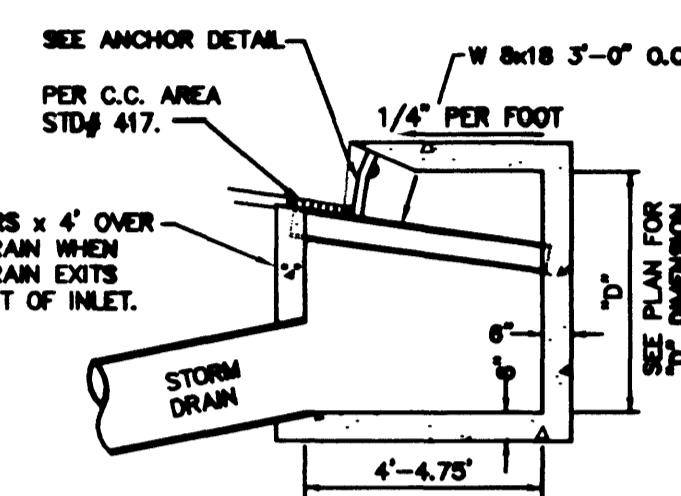


SECTION A

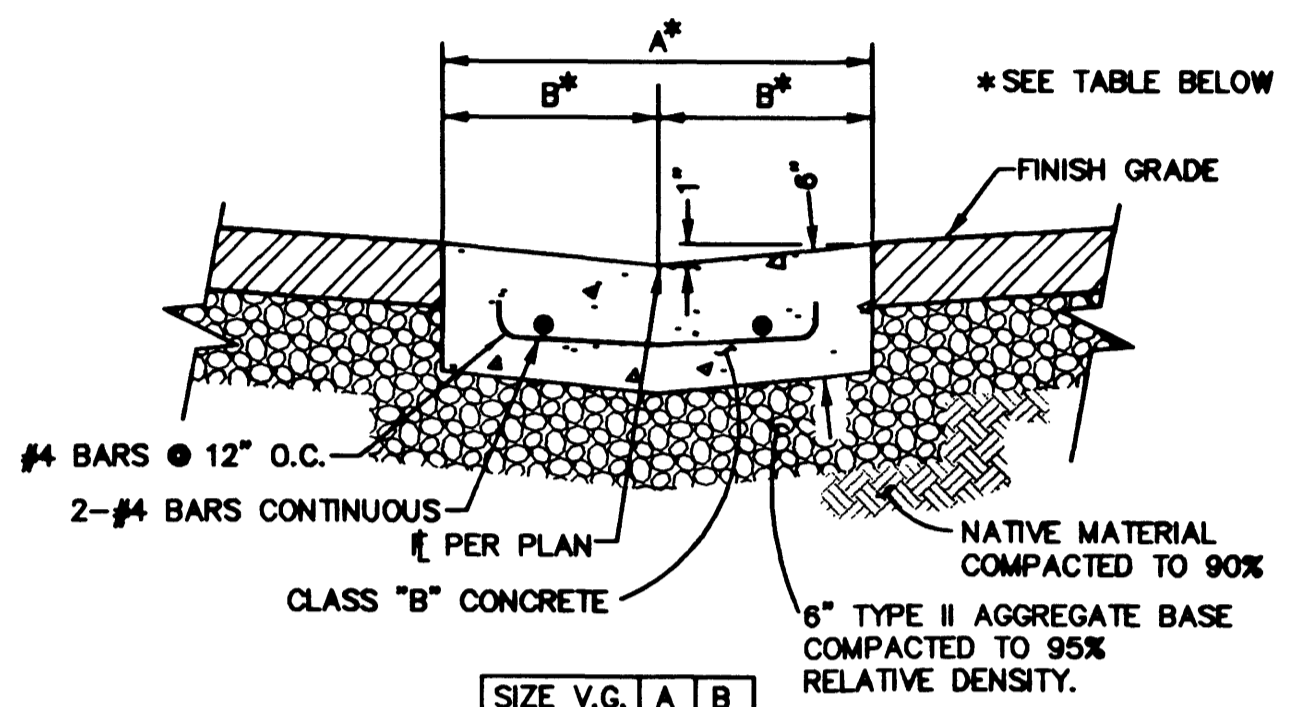
MODIFIED TYPE 'C' DROP INLET



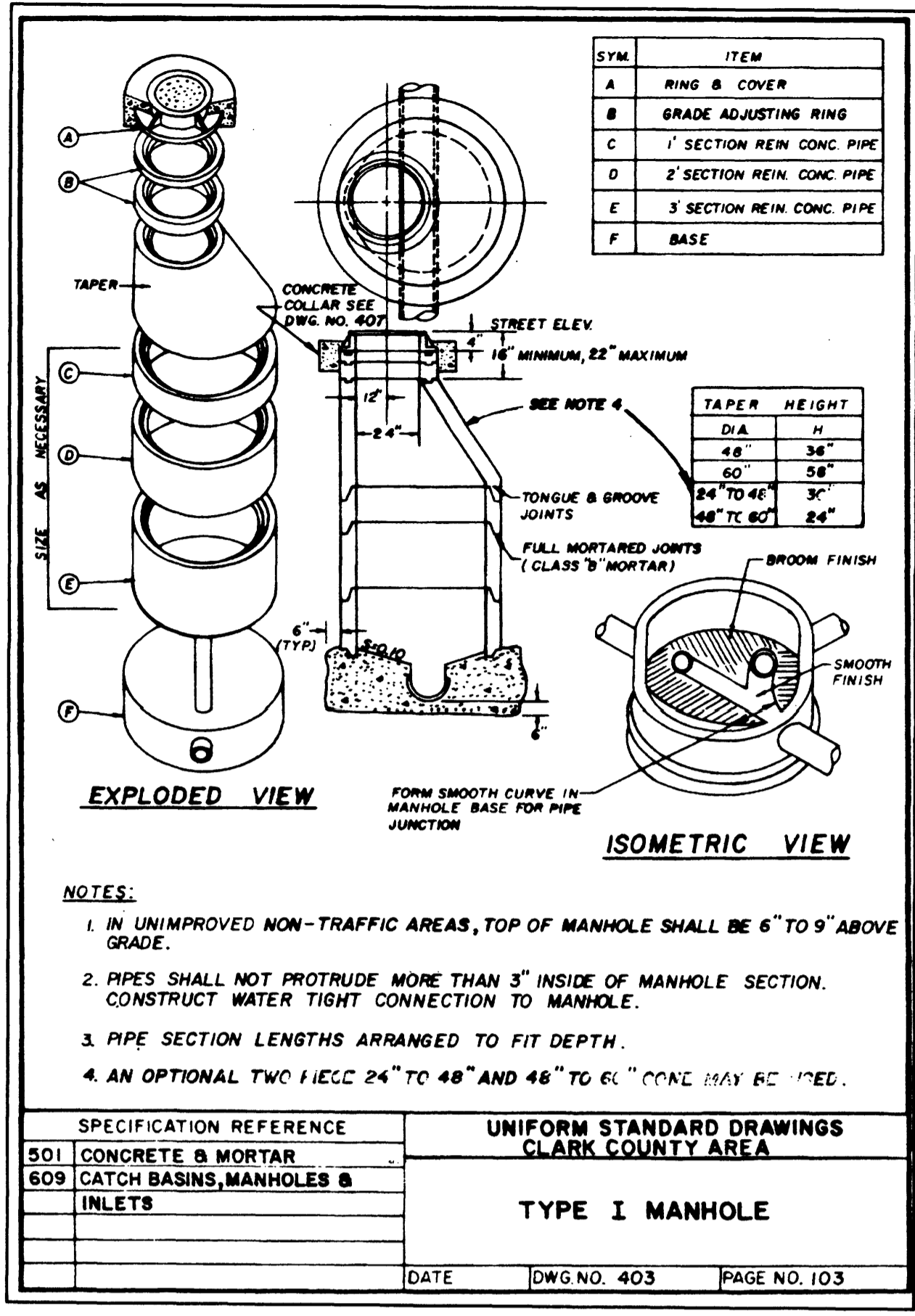
ANCHOR DETAIL



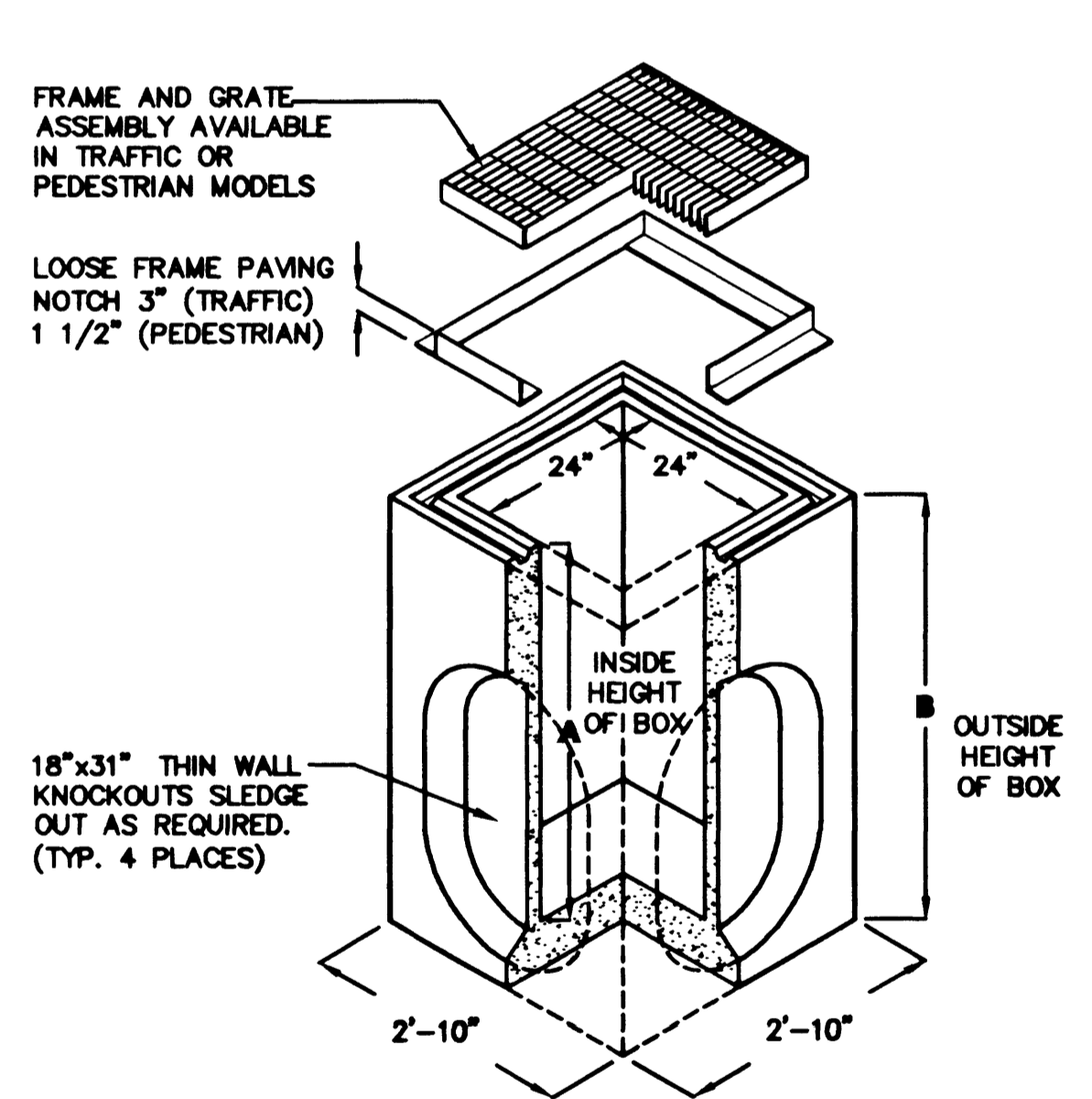
SECTION B



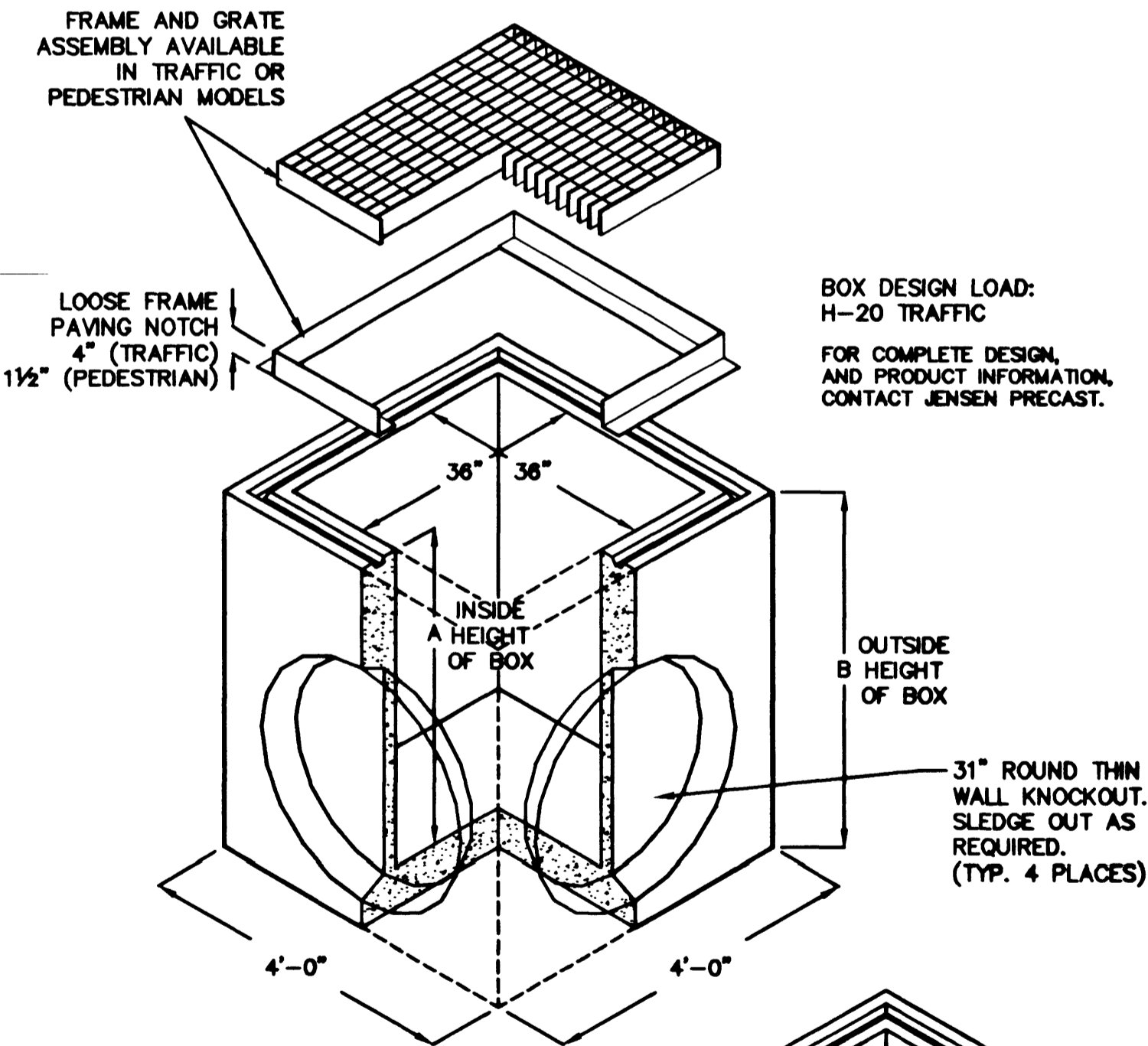
2' CONCRETE VALLEY GUTTER DETAIL  
NOT TO SCALE



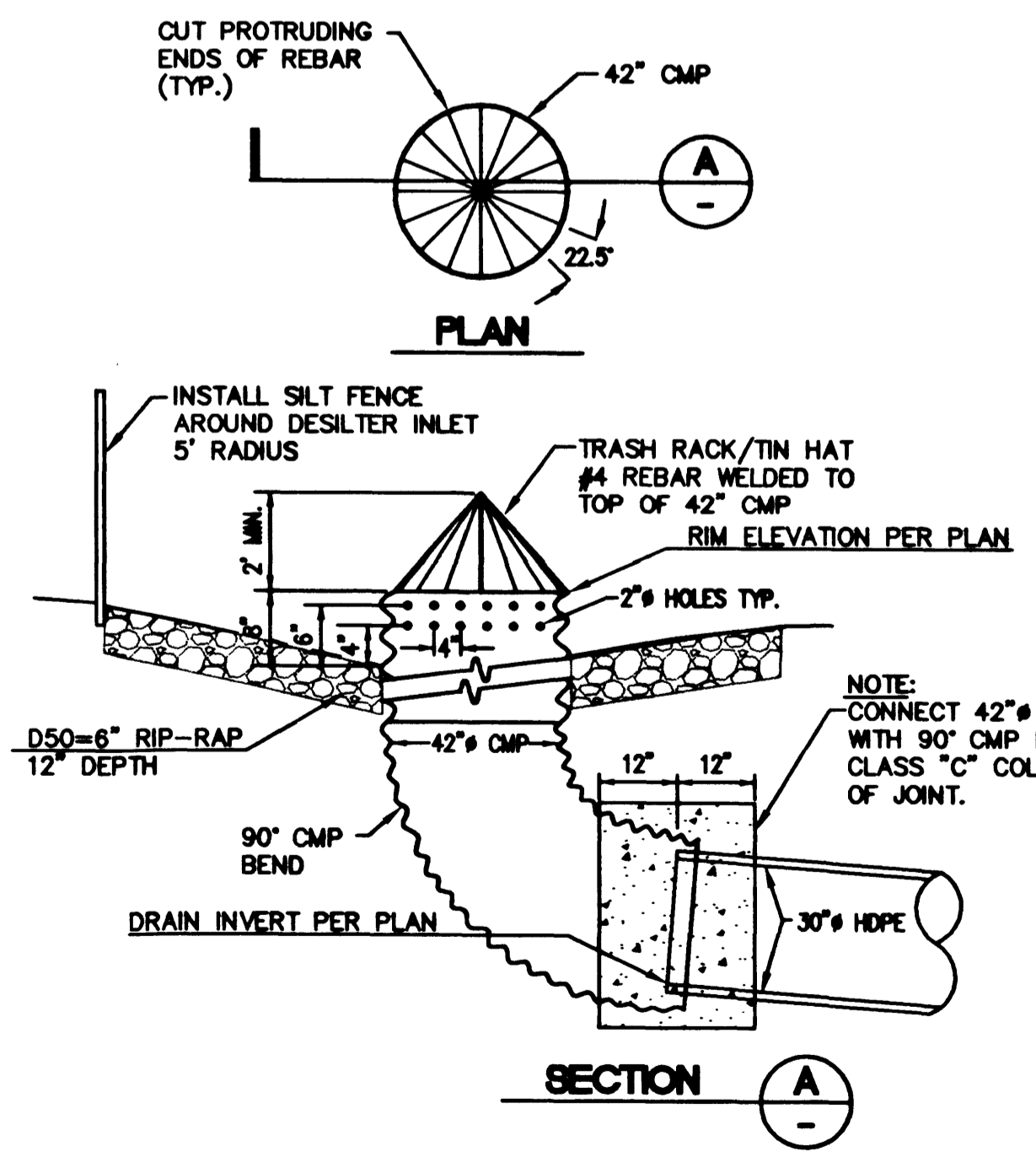
STORM DRAIN MANHOLE  
NOT TO SCALE



24"x24" DROP INLET DETAIL  
NOT TO SCALE



36"x36" DROP INLET DETAIL  
NOT TO SCALE



TEMPORARY INLET STRUCTURE  
NOT TO SCALE

BOX DESIGN LOAD:  
H-20 TRAFFIC  
FOR COMPLETE DESIGN AND PRODUCT INFORMATION, CONTACT JENSEN PRECAST.

EXTENSION		
MODEL NO.	C	WEIGHT
RS242406	6"	300 LBS.
RS242412	12"	600 LBS.

DROP INLET			
MODEL NO.	A	B	*WEIGHT
DI242436	36"	42"	1900 LBS.
DI242448	48"	54"	2500 LBS.

\*BOX ONLY

EXTENSION		
MODEL NO.	C	WEIGHT
RS363606	6"	525 LBS.
RS363612	12"	1050 LBS.

DROP INLET			
MODEL NO.	A	B	*WEIGHT
DI363636	36"	42"	3748 LBS.
DI363648	48"	54"	4752 LBS.

\*BOX ONLY

**COSTCO WHOLESALE**  
 999 Lake Drive  
 Henderson, NV 89014  
 (702) 990-8300  
 (702) 990-8300  
 PLANNERS & ENGINEERS ARCHITECTS & SURVEYORS

**W R G**

DATE: 3/9/01  
 DESIGNED: J. SLATER  
 ENGINEER: J. SLATER  
 CHECKED: [ ]  
 SCALE: 1" = 40' HORIZ  
 WPG PROJECT NO: MULO14

**JERRY J. SLATER**  
 PROFESSIONAL ENGINEER - STATE OF NEVADA  
 No. 14161

SHEET TITLE: DETAILS  
 SHEET NUMBER: C14 OF 14  
 CLV DRAWING NO. 107-V3367

