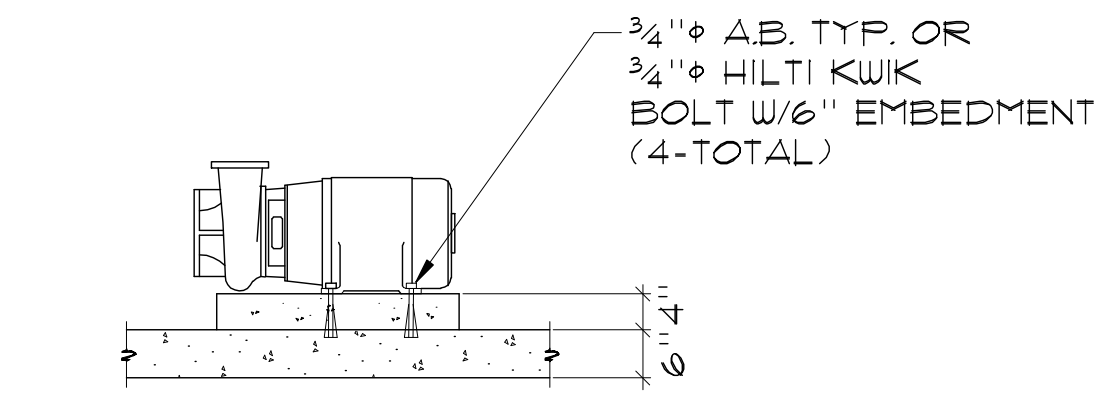
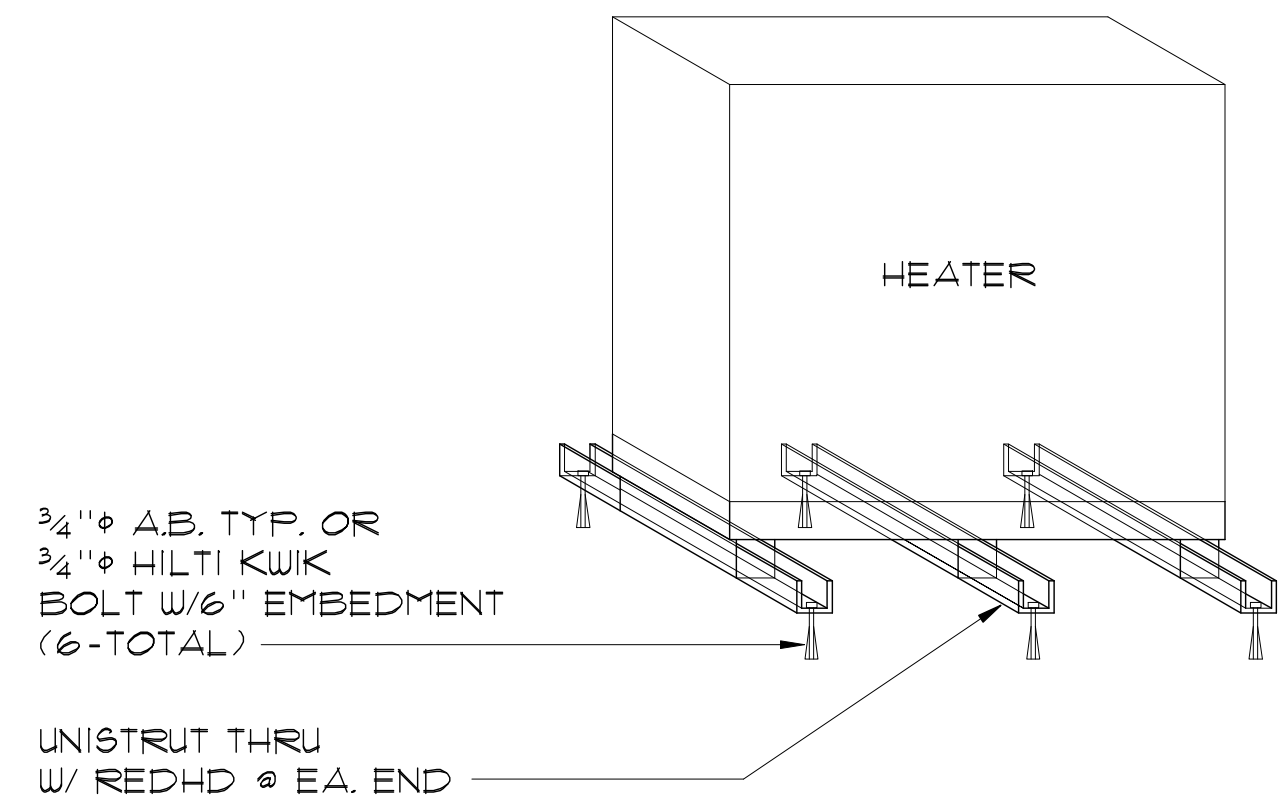


THE REPRODUCTION, COPY, OR USE OF THIS DRAWING WITHOUT THEIR PRIOR WRITTEN CONSENT IS PROHIBITED, AND ANY INFRINGEMENT WILL BE SUBJECT TO LEGAL ACTION.

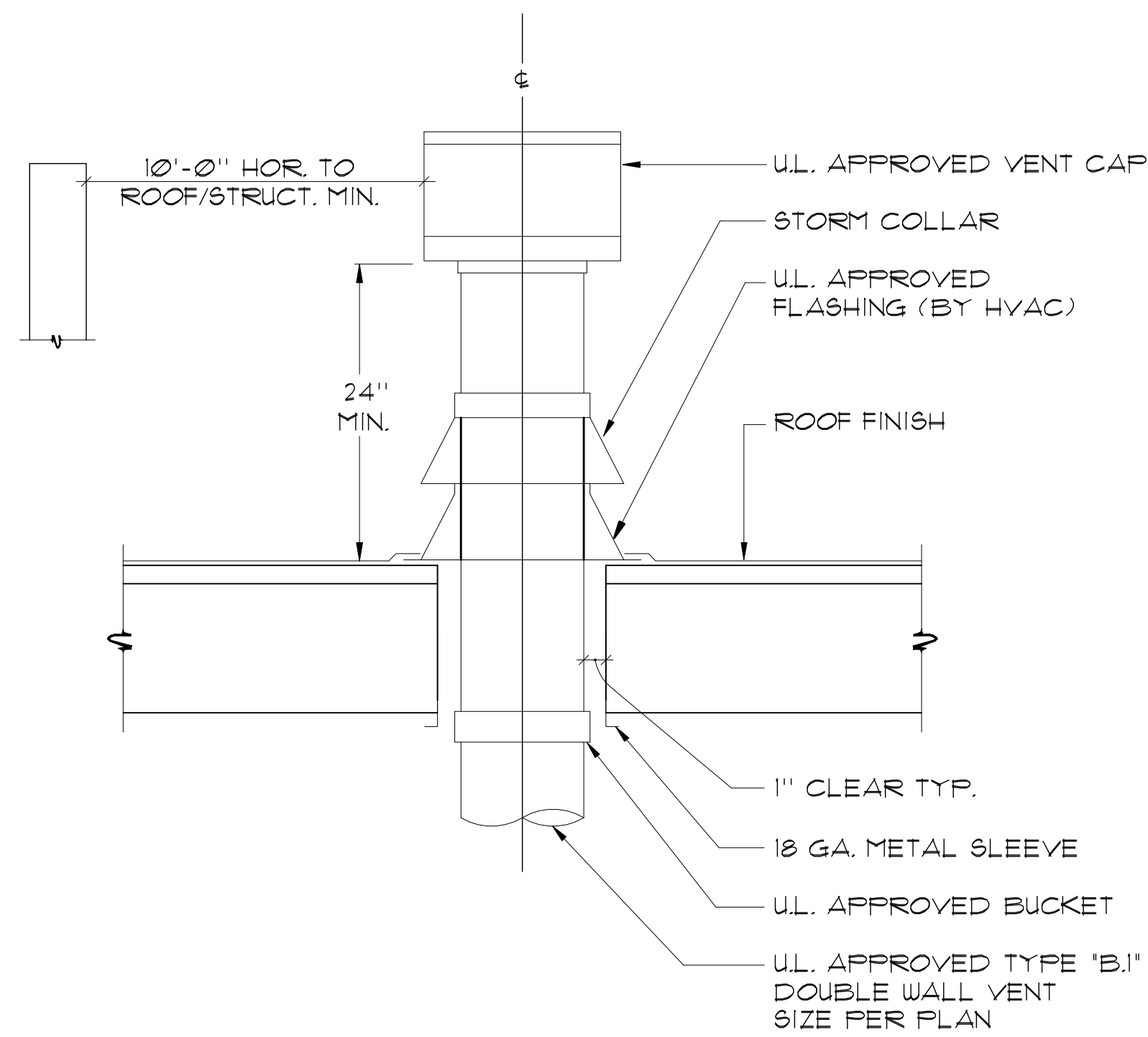
NOTE: DO NOT SCALE DRAWING. FOLLOW DIMENSIONS. THIS DRAWING AND DESIGN CONCEPTS SHOWN THEREON ARE THE SOLE PROPERTY OF WESTAR ARCHITECTURAL GROUP / NEVADA, INCORPORATED.



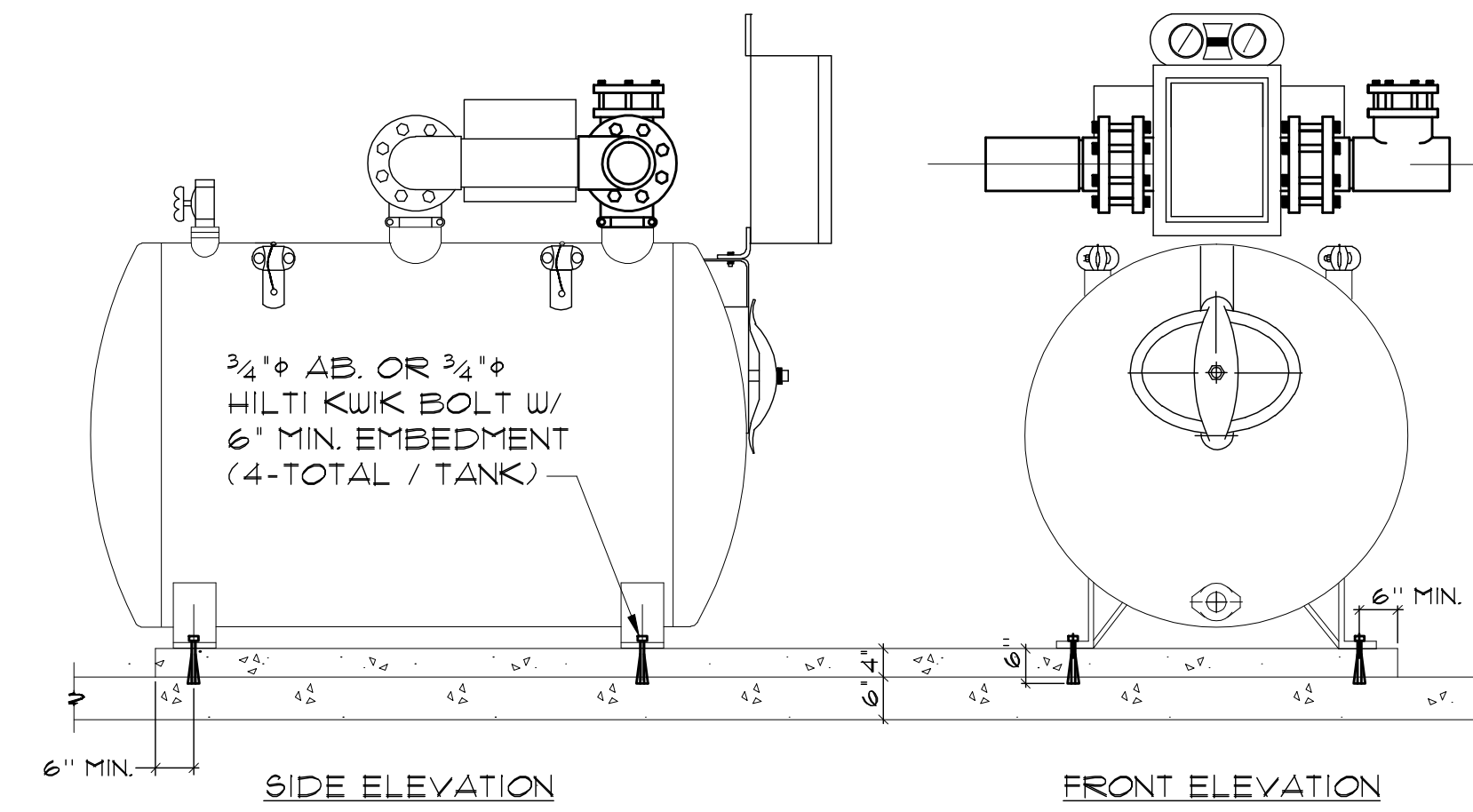
CIRCULATION PUMP
PUMP ANCHORAGE
NO SCALE



HEATER ANCHORAGE
NO SCALE

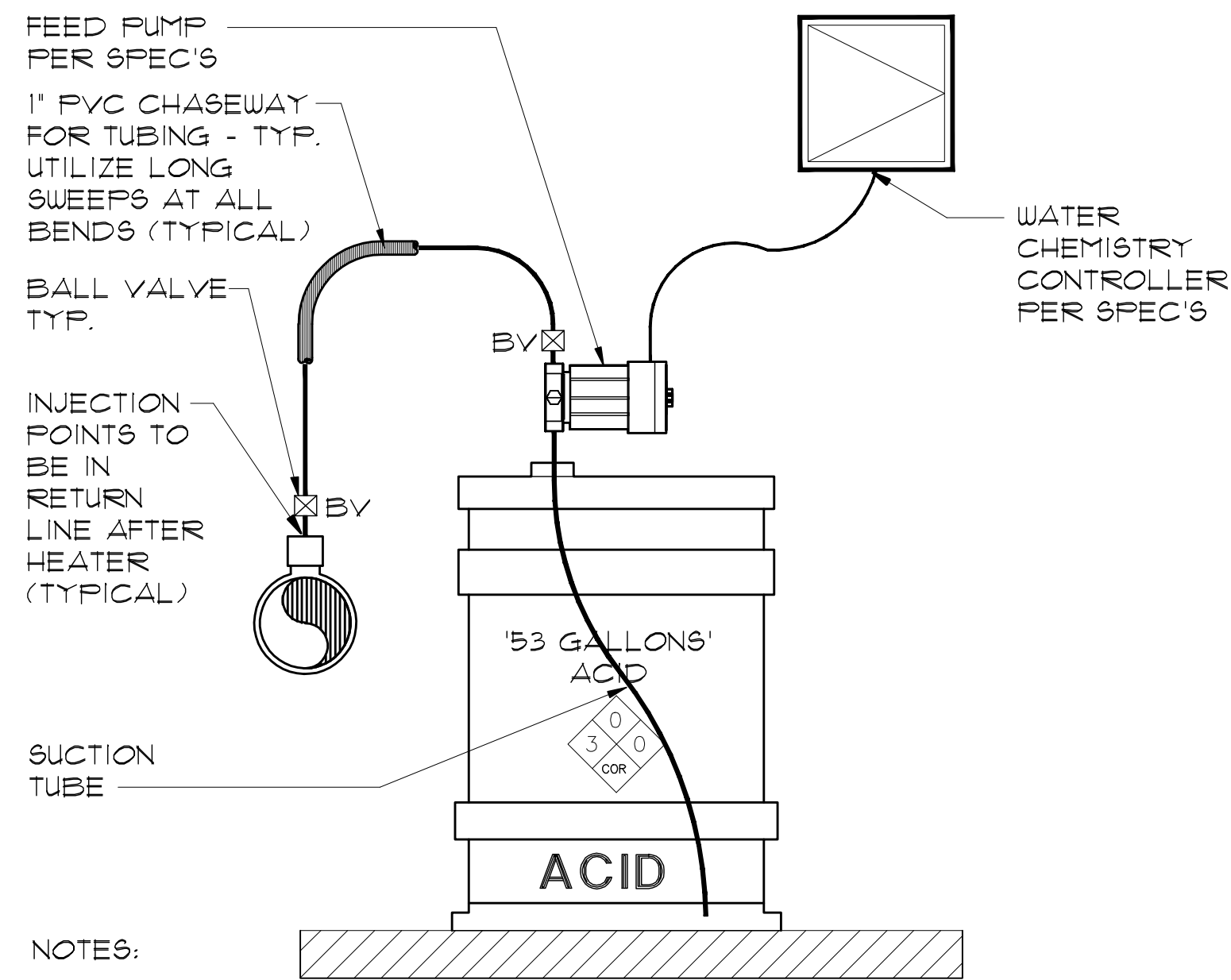


HEATER FLUE DETAIL
NO SCALE



FILTER ANCHORAGE
NO SCALE

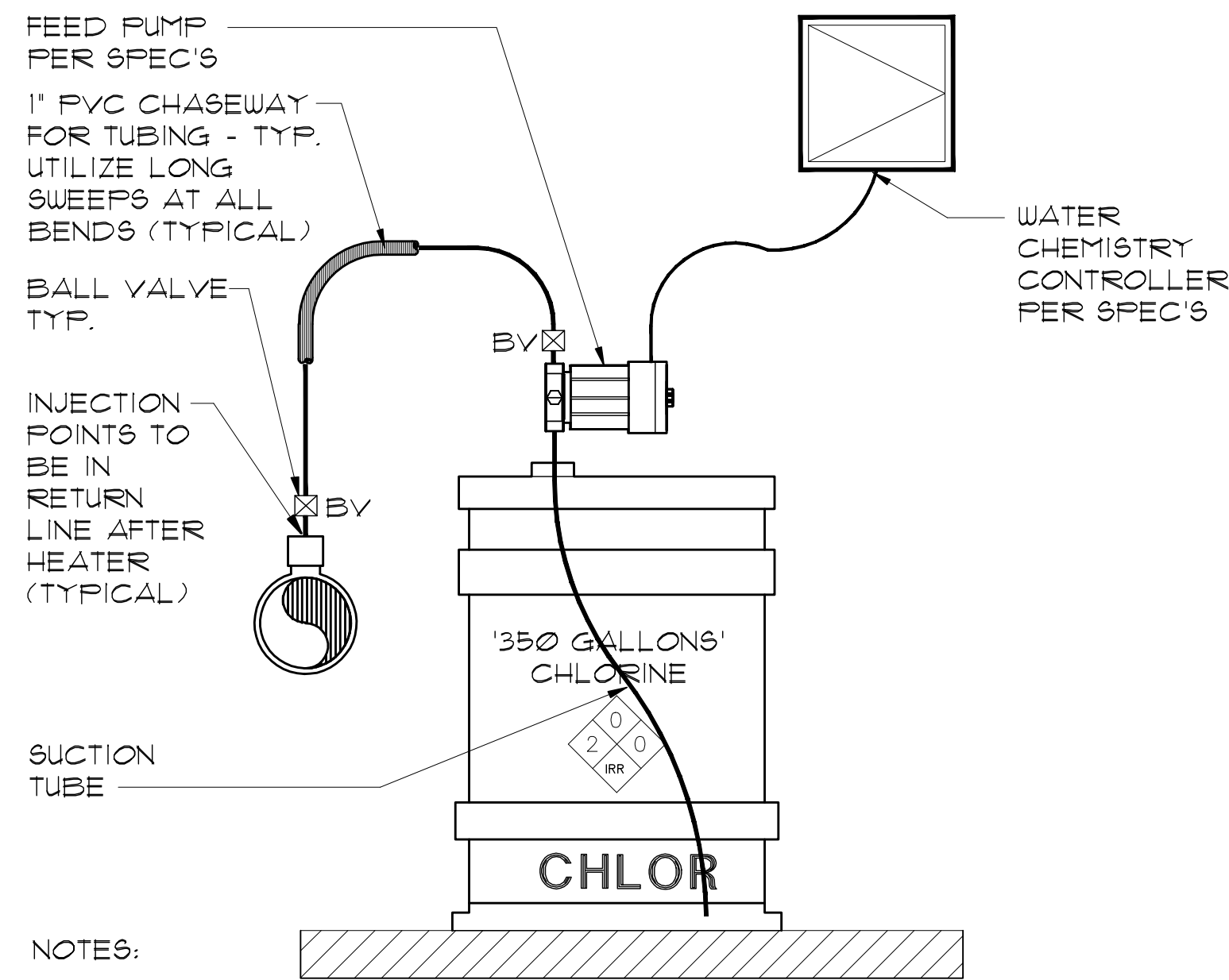
1 ANCHORAGE DETAILS
NO SCALE



NOTES:

1. ABOVEGROUND STATIONARY TANKS USED FOR THE STORAGE OF HAZARDOUS MATERIALS SHALL BE PLACARDED WITH HAZARD IDENTIFICATION SIGNS AS SPECIFIED IN UFC, STANDARD 19-3 FOR THE SPECIFIC MATERIAL CONTAINED. SIGNS SHALL BE DURABLE. THE SIZE, COLOR AND LETTERING SHALL BE IN ACCORDANCE WITH NATIONALLY RECOGNIZED STANDARDS, ON TANKS AND AT CHEM. ROOM DOORS.
2. PIPING, TUBING, VALVES AND RELATED COMPONENTS SHALL BE SEISMIC BRACED.
3. PIPING AND TUBING SHALL BE IDENTIFIED TO INDICATE THE MATERIAL CONVEYED.
4. EMERGENCY SHUTOFF VALVES SHALL BE IDENTIFIED AND THE LOCATION SHALL BE CLEARLY VISIBLE AND INDICATED BY MEANS OF A SIGN.

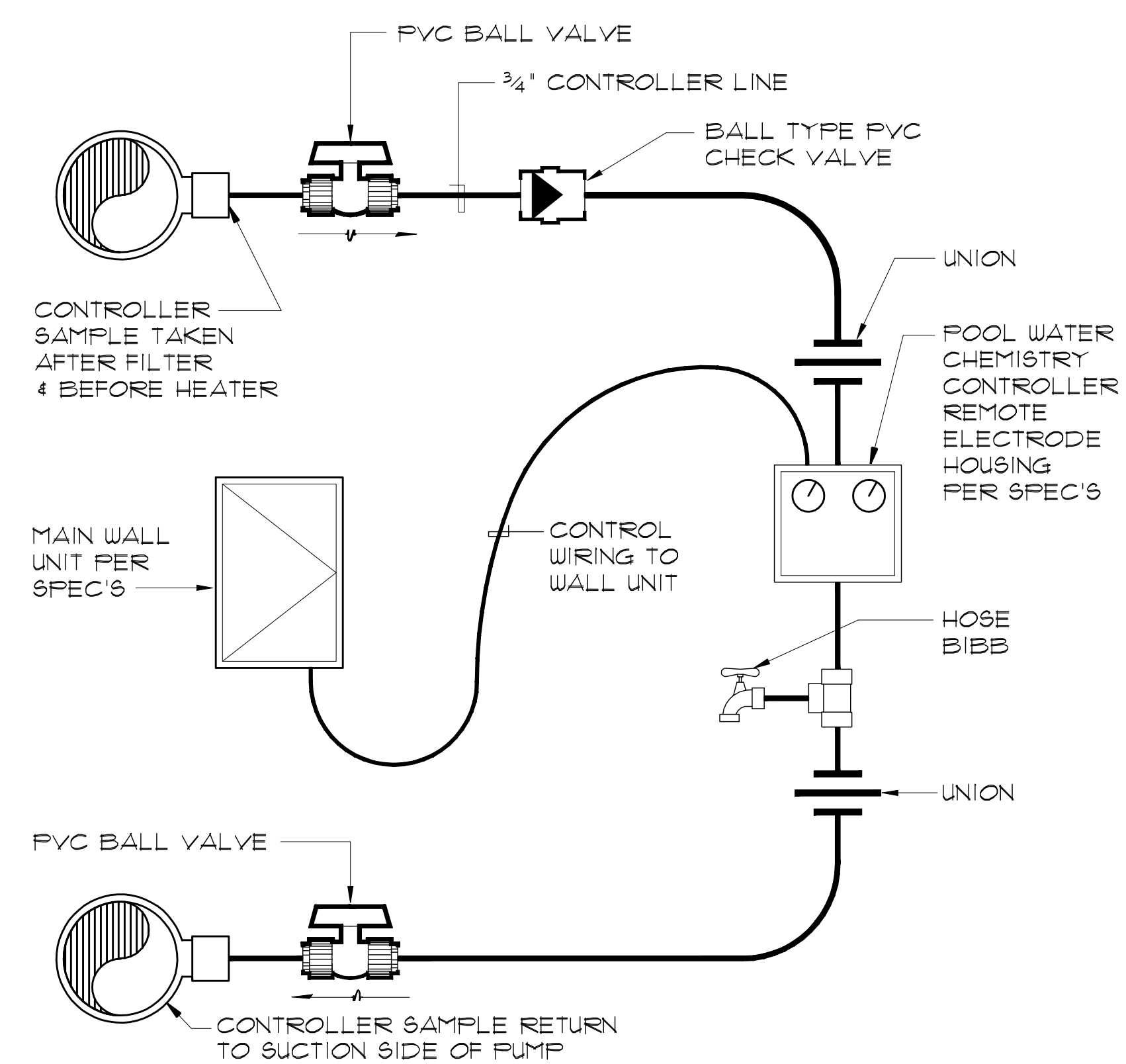
4 MURIATIC ACID FEED SCHEMATIC
NO SCALE



NOTES:

1. ABOVEGROUND STATIONARY TANKS USED FOR THE STORAGE OF HAZARDOUS MATERIALS SHALL BE PLACARDED WITH HAZARD IDENTIFICATION SIGNS AS SPECIFIED IN UFC, STANDARD 19-3 FOR THE SPECIFIC MATERIAL CONTAINED. SIGNS SHALL BE DURABLE. THE SIZE, COLOR AND LETTERING SHALL BE IN ACCORDANCE WITH NATIONALLY RECOGNIZED STANDARDS, ON TANKS AND AT CHEM. ROOM DOORS.
2. PIPING, TUBING, VALVES AND RELATED COMPONENTS SHALL BE SEISMIC BRACED.
3. PIPING AND TUBING SHALL BE IDENTIFIED TO INDICATE THE MATERIAL CONVEYED.
4. EMERGENCY SHUTOFF VALVES SHALL BE IDENTIFIED AND THE LOCATION SHALL BE CLEARLY VISIBLE AND INDICATED BY MEANS OF A SIGN.

5 SODIUM HYPOCHLORITE FEED SCHEMATIC
NO SCALE



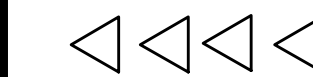
NO SCALE

RECORD DRAWINGS
AS-BUILT INFORMATION WAS PROVIDED BY THE CONTRACTOR. AQUATIC DESIGN GROUP ASSUMES NO LIABILITY FOR ACCURACY OF IT'S CONTENTS.

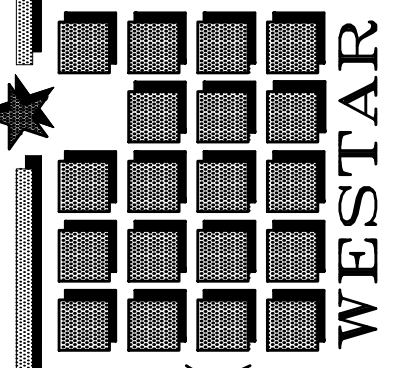
150
KELLOGG AVE.
CARLSBAD,
CALIFORNIA
92008
(760) 438-8400

AQUATIC
DESIGN
GROUP

REVISIONS



WESTAR
ARCHITECTURAL GROUP / NEVADA INC.
LAS VEGAS * PHOENIX
ARCHITECTURE * PLANNING * PROJECT MANAGEMENT
3900 MEADOWS LANE SUITE 220 LAS VEGAS, NEVADA 89107
TELEPHONE: (702) 878-0000 FAX: (702) 878-8430



MASTERPLAN REDESIGN FOR:
CITY OF LAS VEGAS - BAKER PARK
1020 E. ST. LOUIS AVE.
LAS VEGAS, NEVADA

DRAWN BY:
G.M.K.

REVIEWED BY:
S.J.F.

PROJECT NUMBER:
99110

ISSUE DATE:
12-1-00

021999SE 98023SP11/78

SP-8
DETAILS