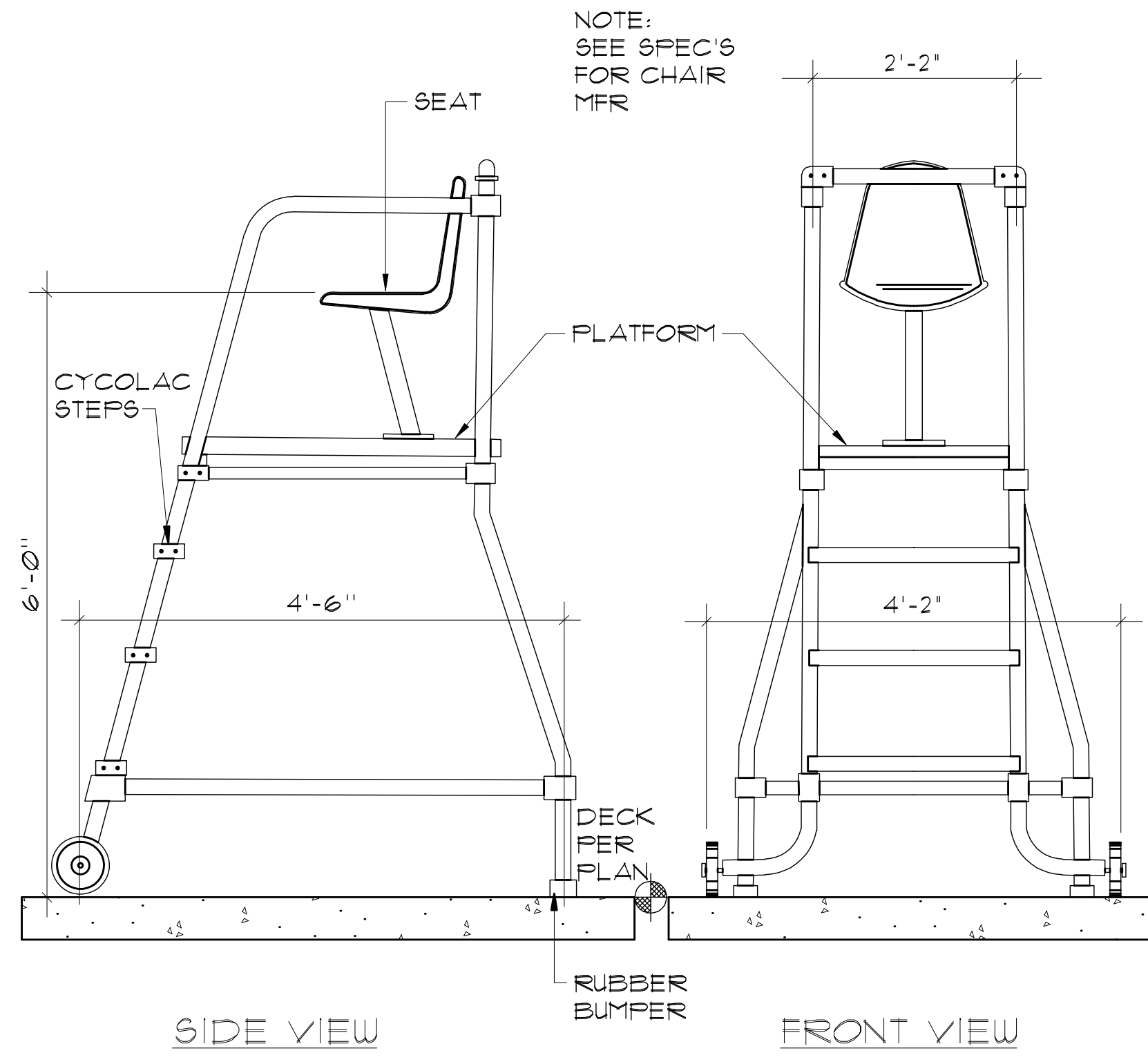


THE REPRODUCTION, COPY, OR USE OF THIS DRAWING WITHOUT THEIR PRIOR WRITTEN CONSENT IS PROHIBITED, AND ANY INFRINGEMENT WILL BE SUBJECT TO LEGAL ACTION.

NOTE: DO NOT SCALE DRAWING. FOLLOW DIMENSIONS. THIS DRAWING AND DESIGN CONCEPTS SHOWN THEREON ARE THE SOLE PROPERTY OF WESTAR ARCHITECTURAL GROUP / NEVADA, INCORPORATED



1

MOVEABLE LIFE GUARD CHAIR

3/4" = 1'-0"

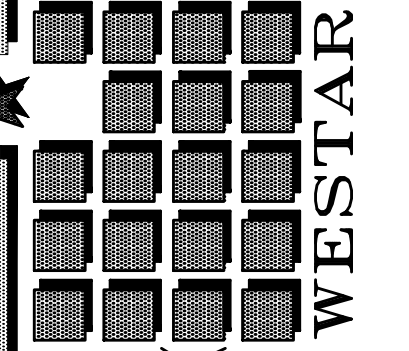
RECORD DRAWINGS
 AS-BUILT INFORMATION WAS PROVIDED BY THE CONTRACTOR. AQUATIC DESIGN GROUP ASSUMES NO LIABILITY FOR ACCURACY OF IT'S CONTENTS.

AQUATIC DESIGN GROUP
 850 KELLOGG AVE.
 CARLSBAD, CALIFORNIA
 92008
 (760) 438-9400

REVISIONS

△ △ △ △

WESTAR
 ARCHITECTURAL GROUP / NEVADA INC.
 LAS VEGAS * PHOENIX
 ARCHITECTURE * PLANNING * PROJECT MANAGEMENT
 3900 MEADOWS LANE SUITE 220 LAS VEGAS, NEVADA 89107
 TELEPHONE: (702) 878-0000 FAX: (702) 878-8430



MASTERPLAN REDESIGN FOR:
CITY OF LAS VEGAS - BAKER PARK
 1020 E. ST. LOUIS AVE.
 LAS VEGAS, NEVADA

DRAWN BY: GJK
 REVIEWED BY: SJF
 PROJECT NUMBER: 99110
 ISSUE DATE: 12-1-00

021998E 9902SP11/8
SP-12
 DETAILS