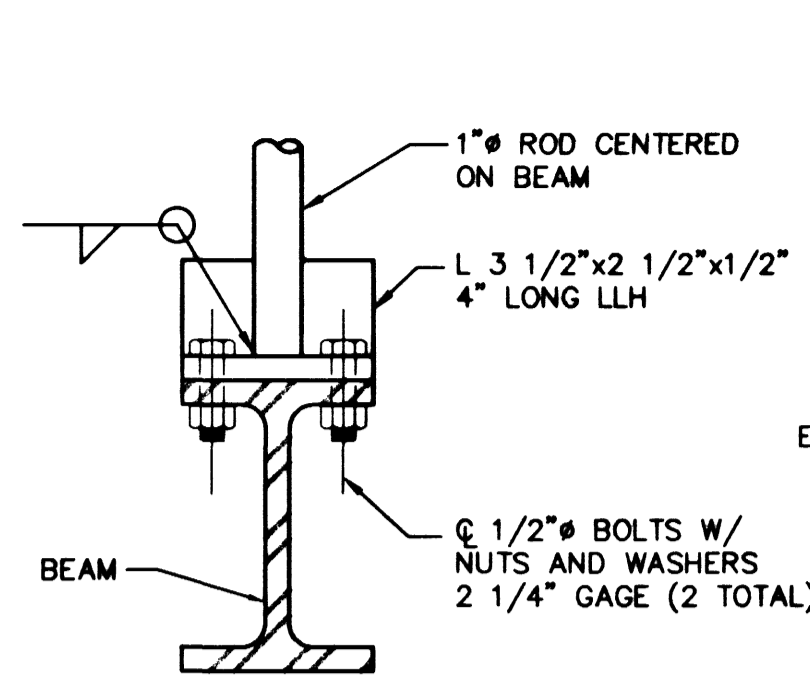


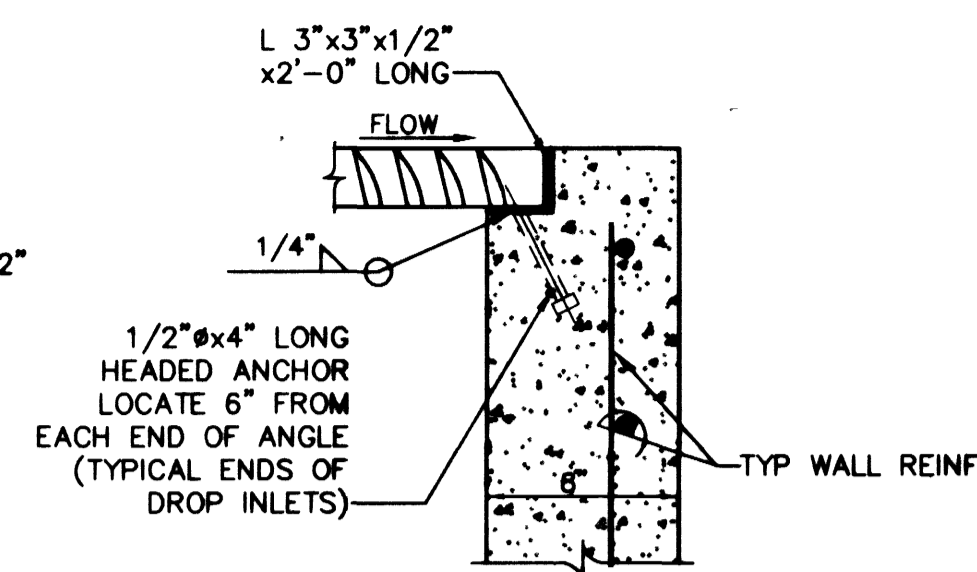
ALTERNATE CONNECTION DETAIL

SCALE 3/8"=1'



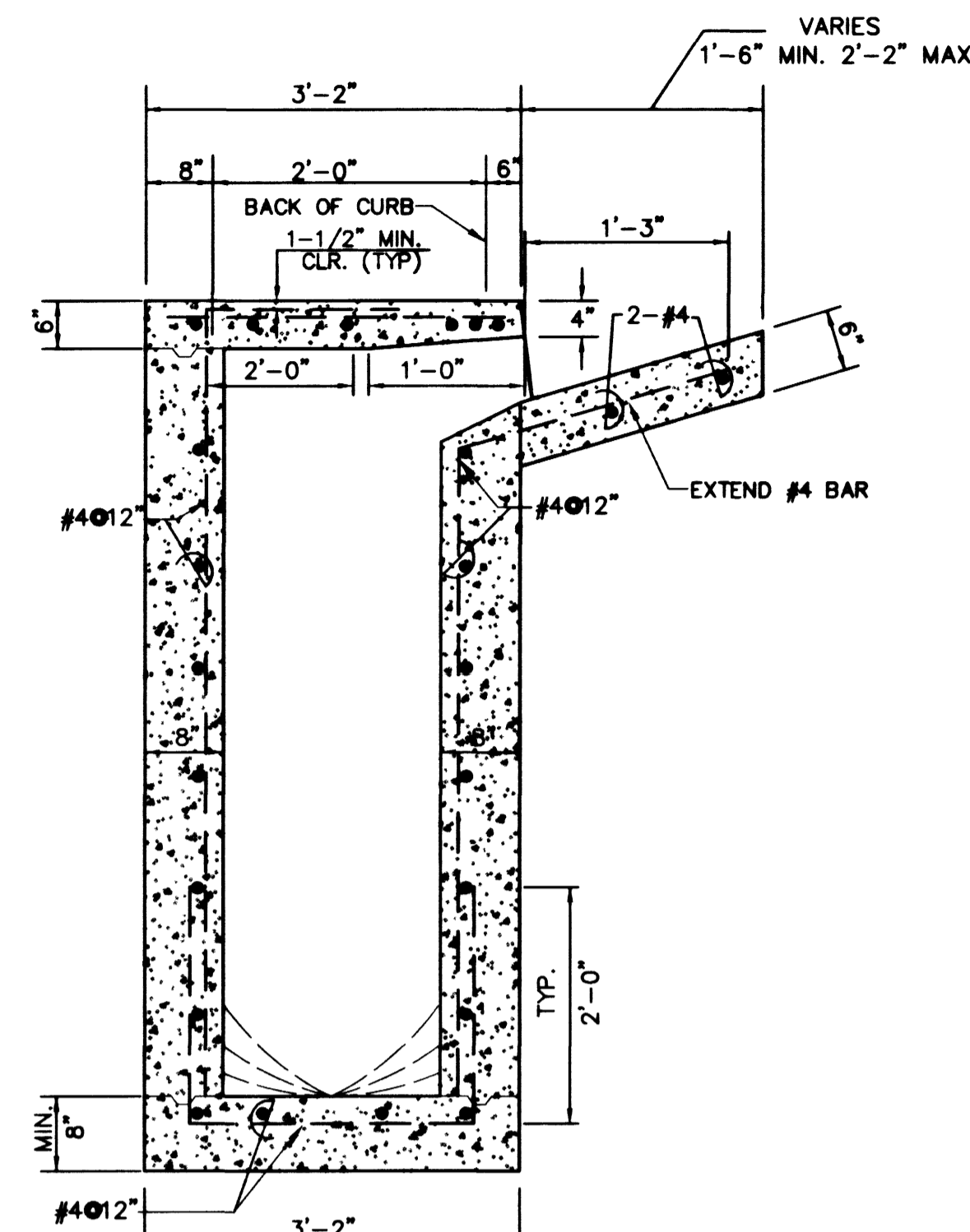
DETAIL "B"

SCALE 3"=1'



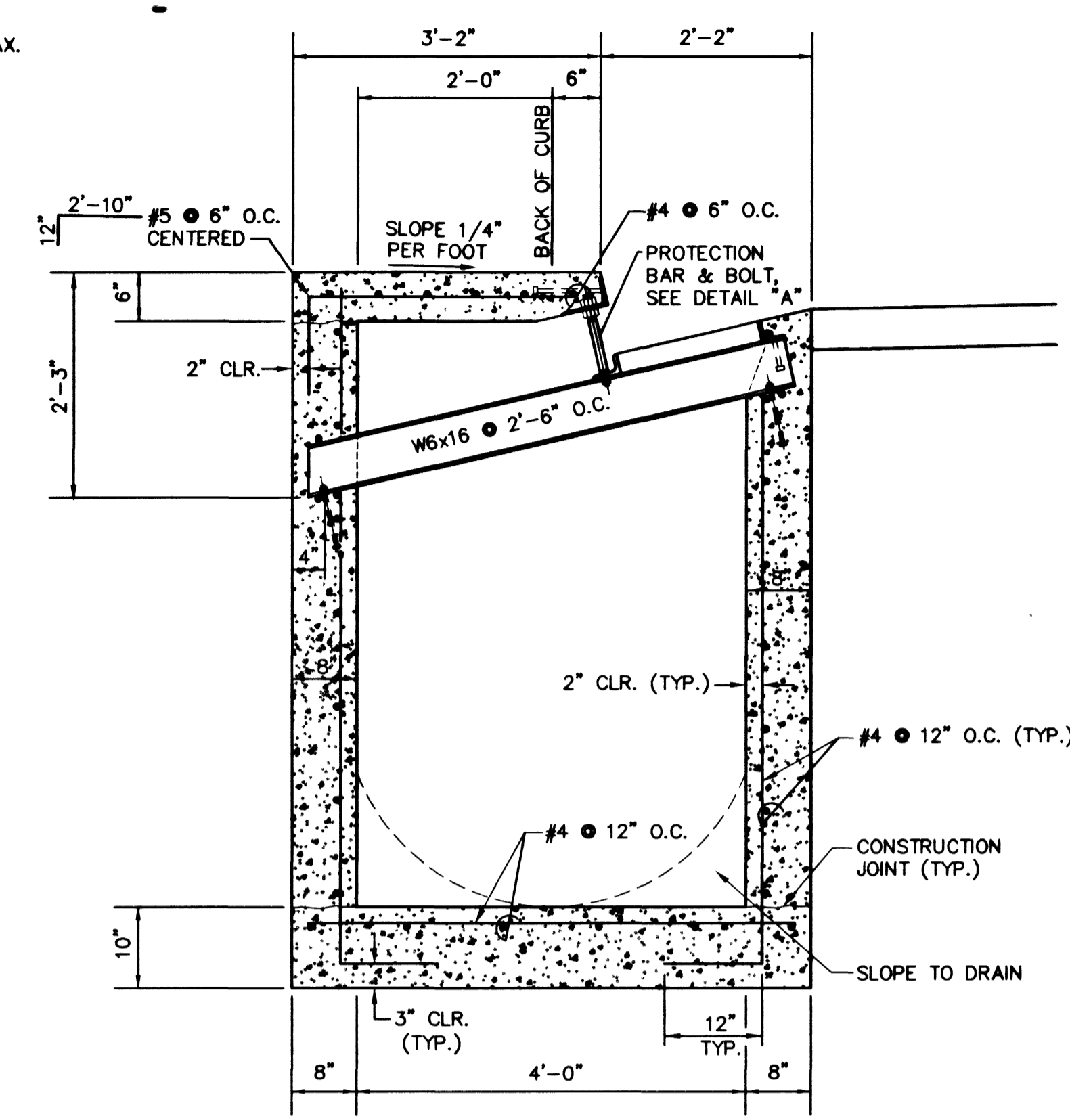
SECTION "D"

SCALE 1-1/2"=1'



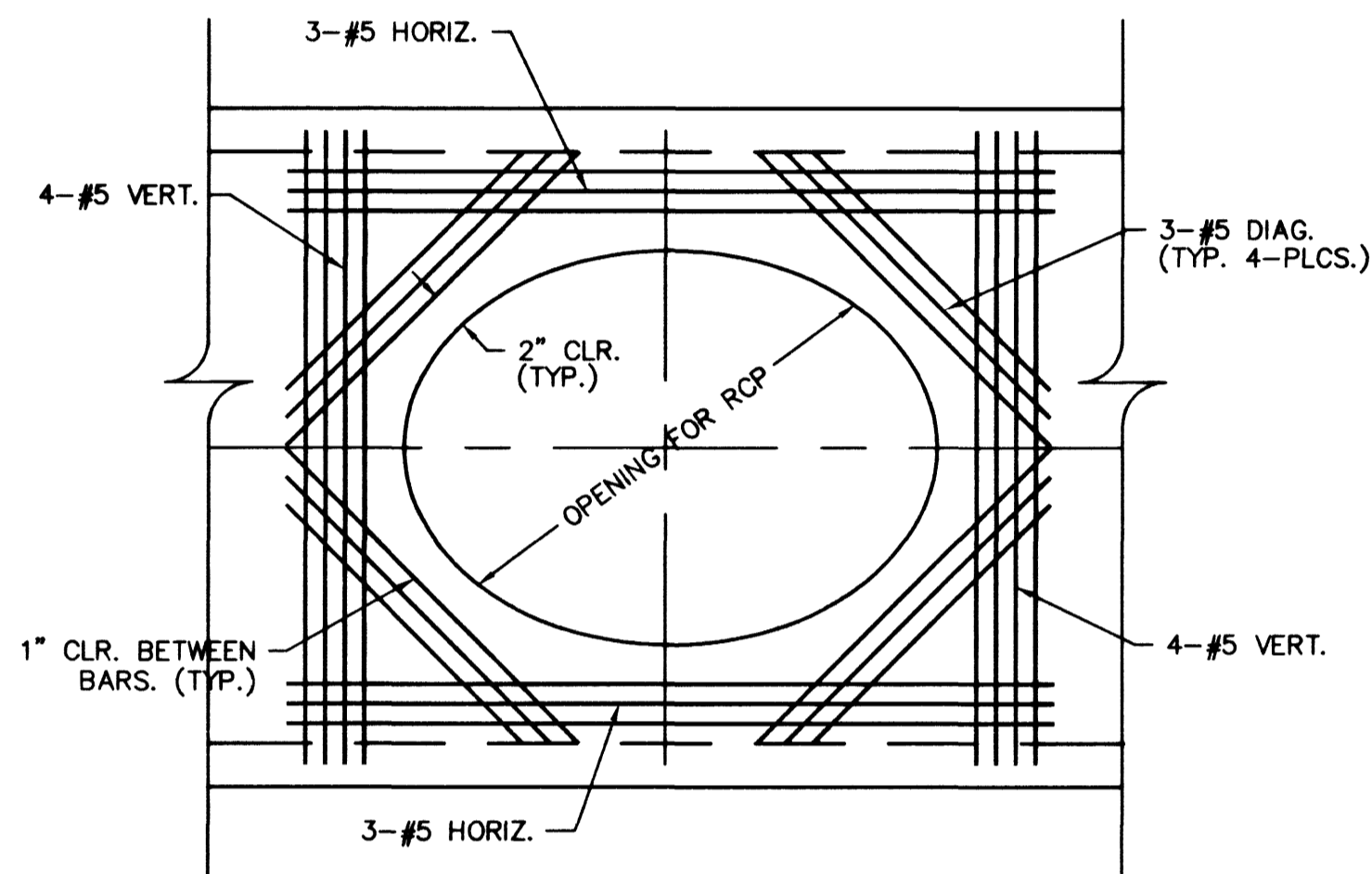
SECTION A-A

SCALE 3/4"=1'



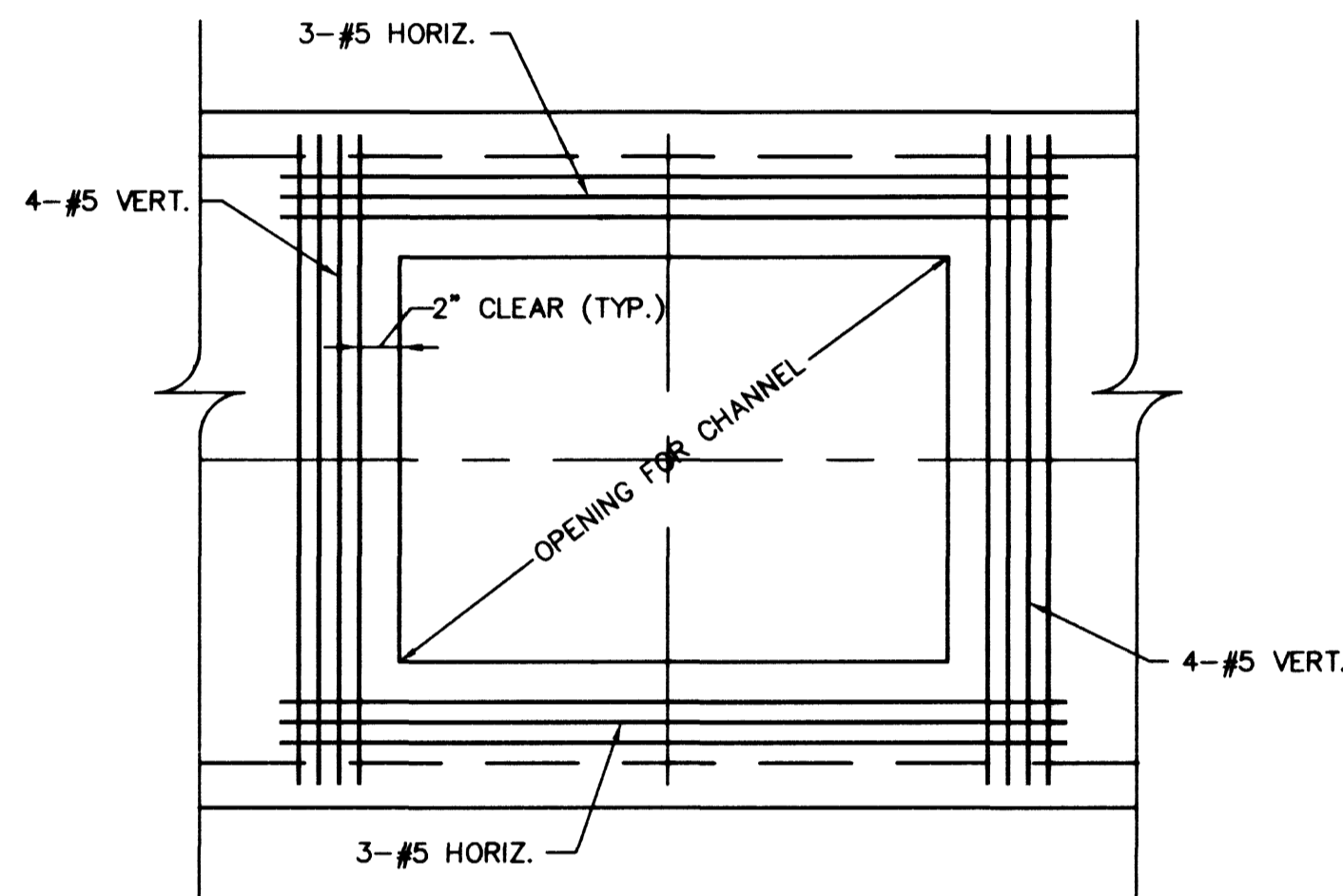
SECTION B-B

SCALE 3/4"=1'



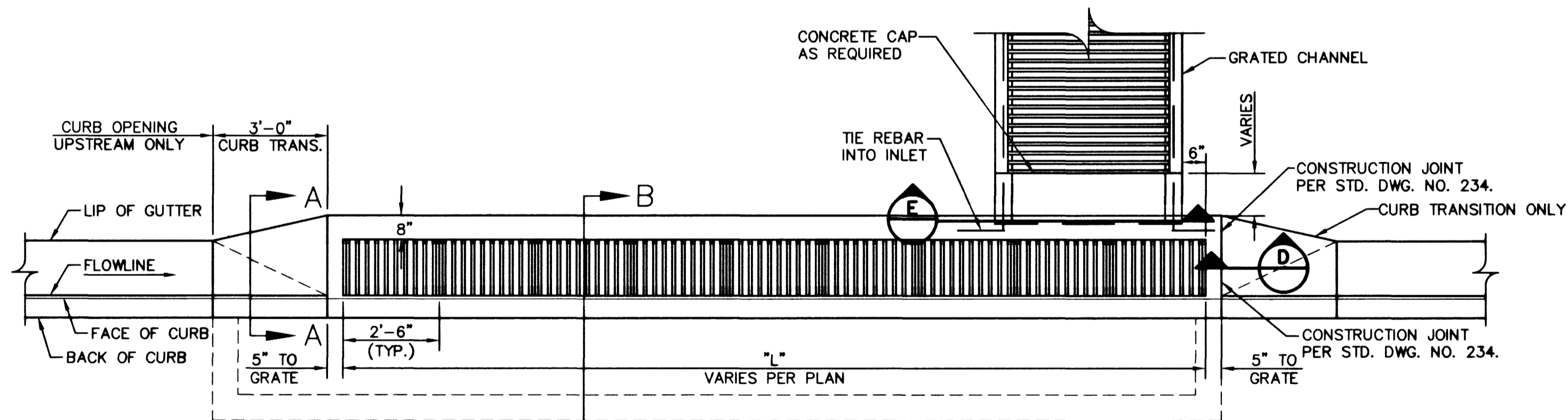
SECTION "C"

SCALE 3/4"=1'



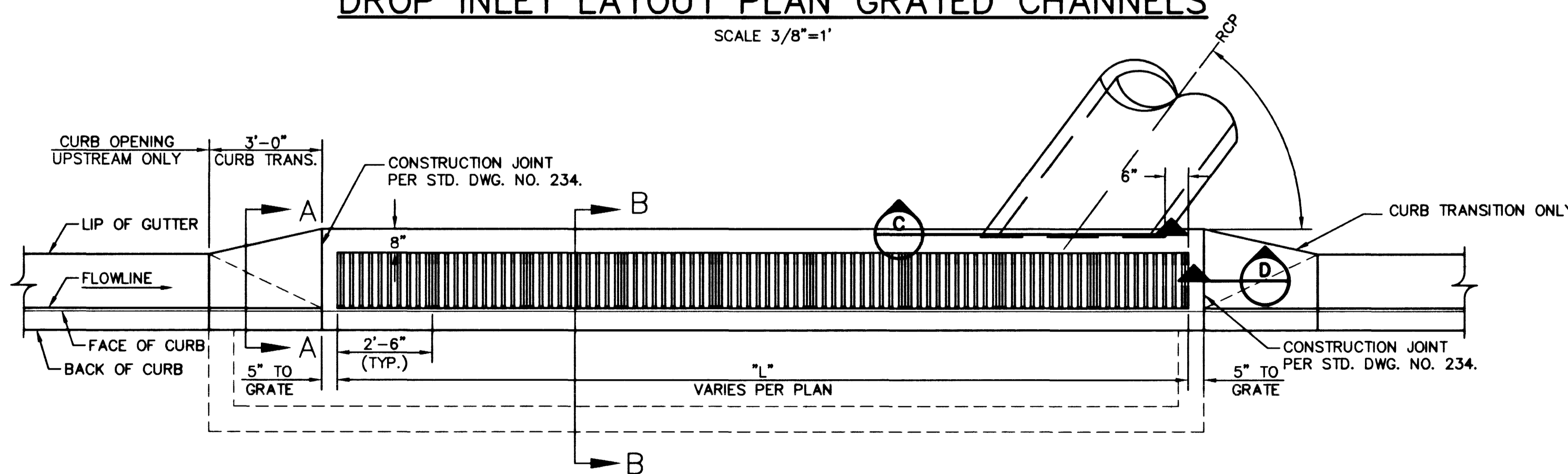
SECTION "E"

SCALE 3/4"=1'



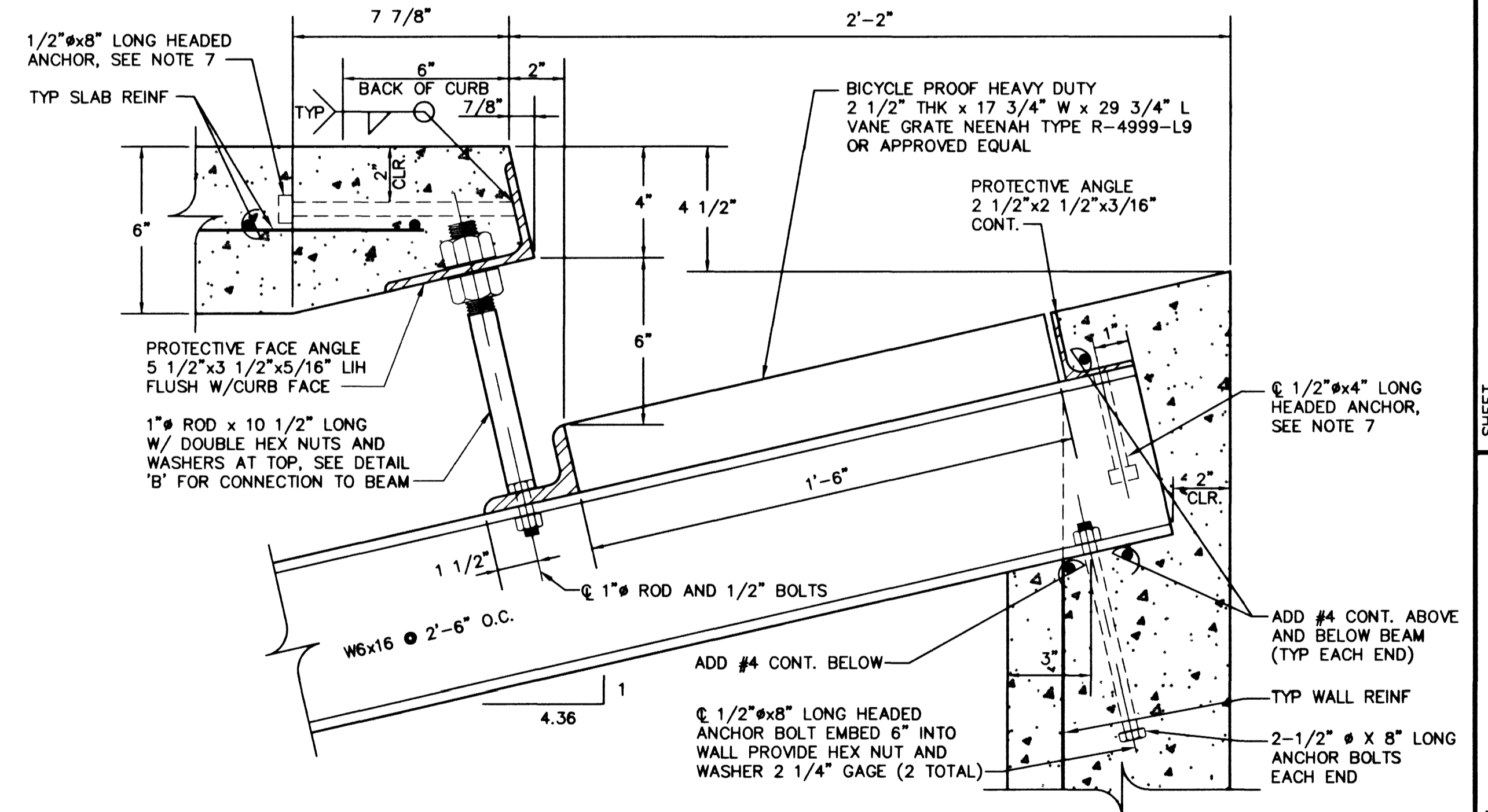
DROP INLET LAYOUT PLAN GRATED CHANNELS

SCALE 3/8"=1'



DROP INLET LAYOUT PLAN RCP

SCALE 3/8"=1'



PROTECTIVE FACE & ROD - DETAIL "A"

SCALE 3"=1'

NOTES:

1. ALL EXPOSED METALS SHALL BE HOT DIP GALVANIZED AFTER FABRICATION.
2. PROVIDE 1/2" (MIN.) CLEARANCE ALL AROUND THE STEEL BEAM, DRY PACK AFTER INSTALLATION.
3. WHEN REQUIRED BY LENGTH OF OPENING, PLATE ANGLE MAYBE DELIVERED IN SECTIONS AND BUTT WELDED IN PLACE.
4. ALL GALVANIZING DAMAGED BY WELDING SHALL RECEIVE TWO COATS OF GALVALLOY OR EQUAL.
5. CONCRETE SHALL BE MODIFIED CLASS DA, SECTION 501 OF USSPWC.
6. SEE GENERAL NOTES FOR STRUCTURES ON DWG DB.
7. ANGLE ANCHORS SHALL BE EMBEDDED MIDPOINT IN EACH ENDWALL AND EVENLY SPACED. (MAXIMUM SPACING OF 2')
8. OUTLET PIPE SIZE SHOWN ON PLANS.

CITY OF LAS VEGAS
731 SOUTH FOURTH STREET
LAS VEGAS, NEVADA 89101

URS Greiner
2785 EAST DESERT INN ROAD
LAS VEGAS, NEVADA 89121
(702)-796-7775 FAX (702)-796-1803

MODIFIED TYPE C INLET

CRAIG ROAD
IMPROVEMENTS
BID NO. 00.1730.23

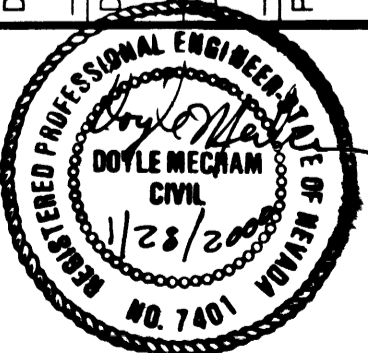
SHEET

TITLE

DRAWN BY: DMS/MRA
DESIGNED BY: DMS/MRA
CHECKED BY: DM

PROJECT NO: 44300

SCALE: NONE
1"=4' VERT.



SHEET
DS-2
55 OF 55 SHEETS
DRAWING NO.
107-V3048

26364