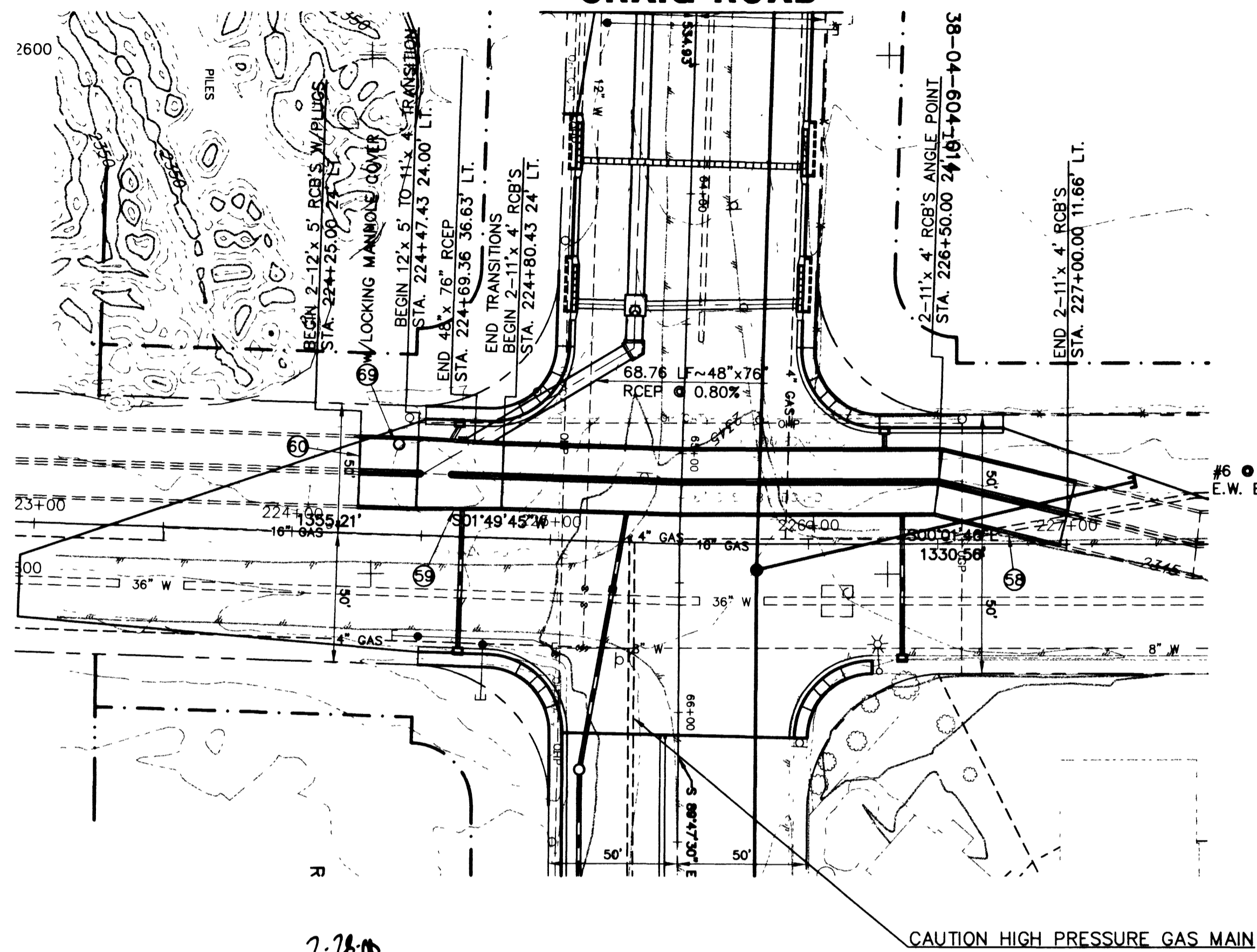
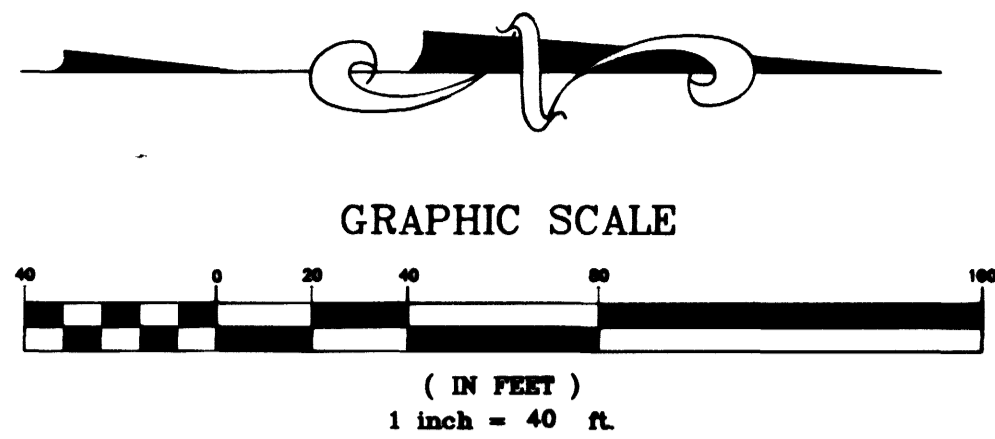


CONSTRUCTION NOTES:

- 58 INSTALL DOUBLE 11' x 4' RCB'S w/END PLUGS SEE NDOT STD. DWG(S) DETAIL B-20.1.7-(502) & B-20.108-(502)
- 59 CONSTRUCT CONCRETE TRANSITION STRUCTURE
- 60 INSTALL DOUBLE 12' x 5' RCB'S w/END PLUGS SEE NDOT STD. DWG(S) DETAIL B-20.1.7-(502) & B-20.108-(502)
- 61 INSTALL TYPE 1-A MANHOLE
- 62 INSTALL MODIFIED TYPE 1A MANHOLE (WITHOUT BASE) w/ STEPS PER STD. DWG(S) 409 & 410



Bonnie C. Pitt
LAS VEGAS VALLEY WATER DISTRICT

2/26/08
DATE

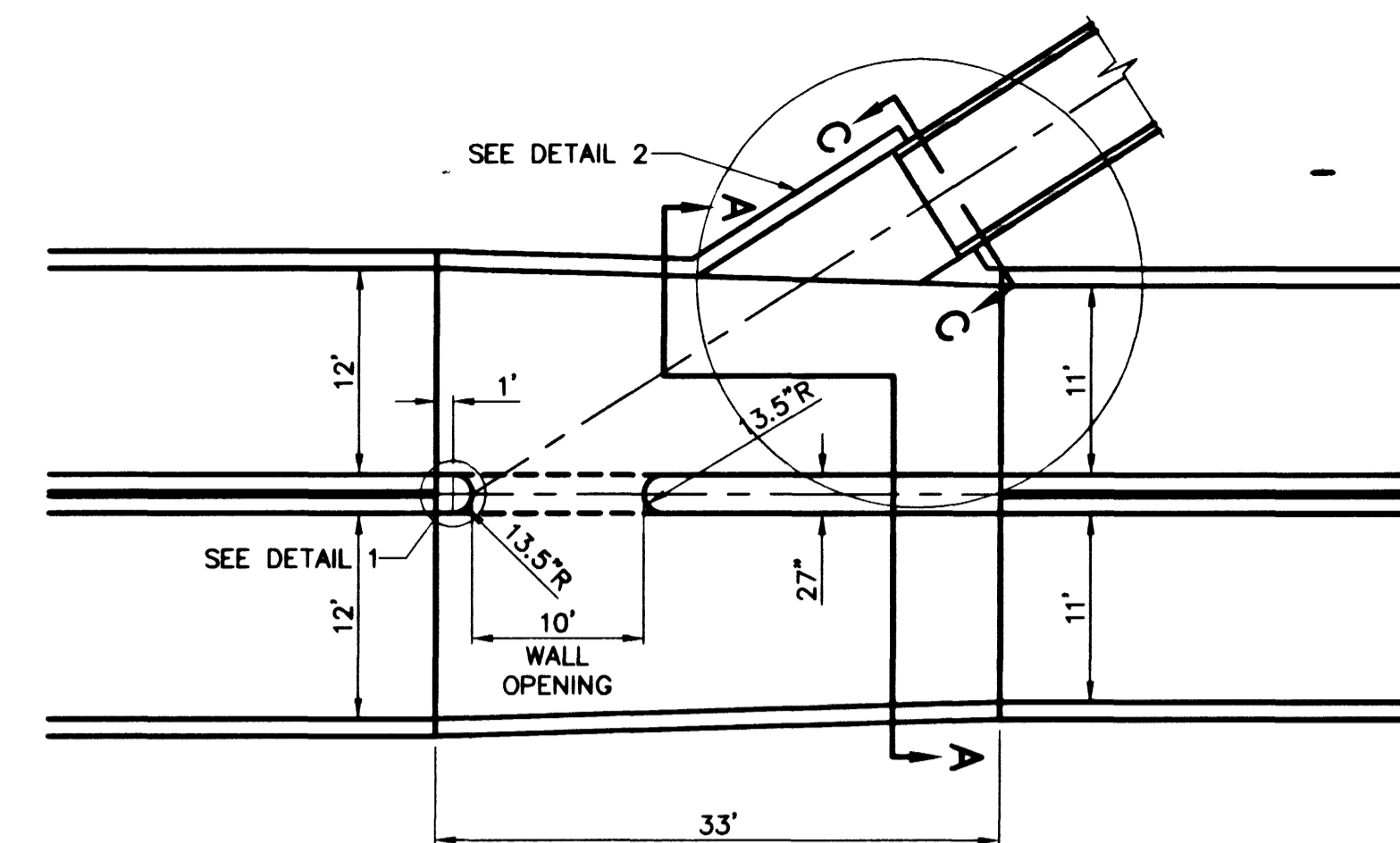
BUFFALO DRIVE

BASIS OF BEARING

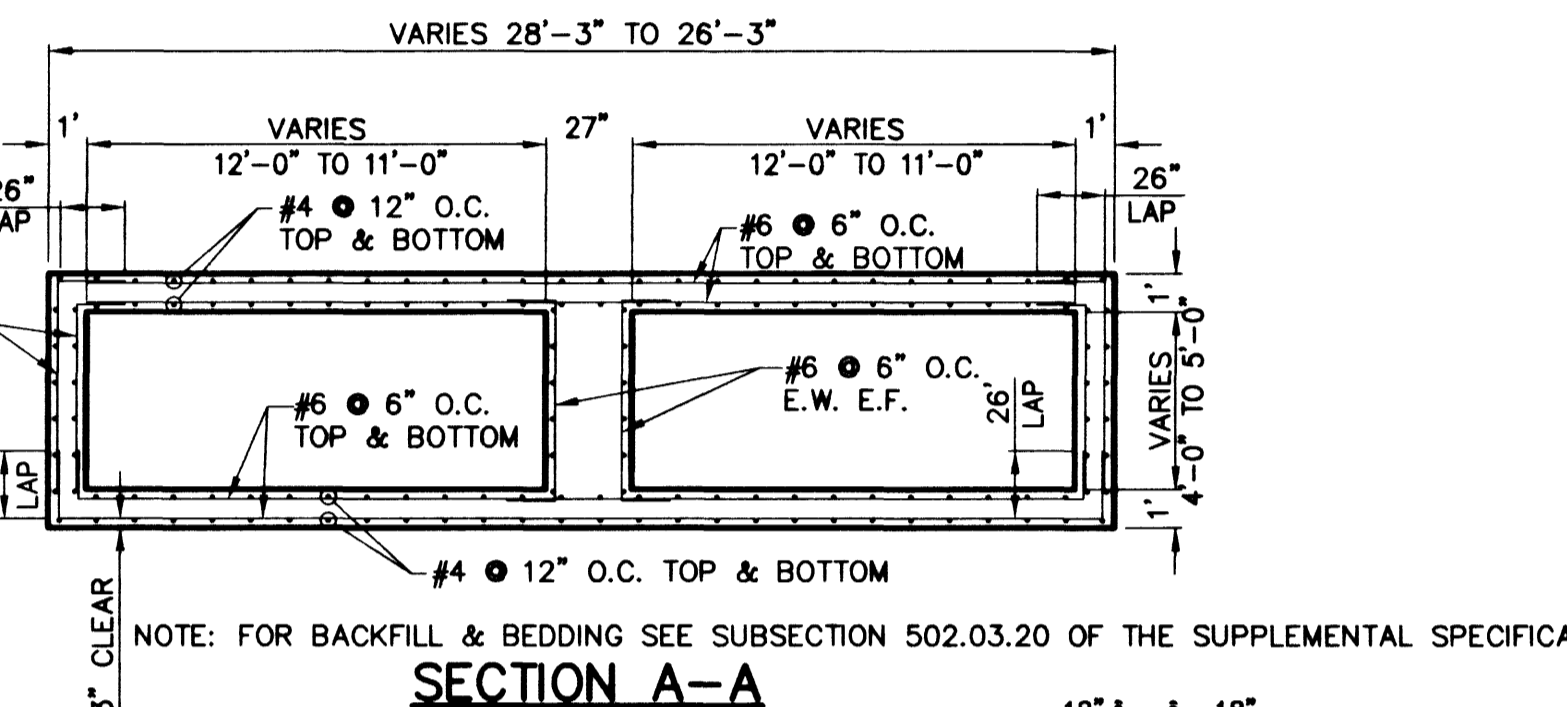
NORTH 39°40'38" WEST BEING THE BEARING OF THE LINE FROM POINT 825 TO POINT No. 808 AS SHOWN BY THAT CERTAIN RECORD OF THE SURVEY ON FILE IN THE OFFICE OF THE CLARK COUNTY RECORDER, CLARK COUNTY, NEVADA IN FILE 88, PAGE 53. SAID BEARING BEING BASED ON THE NORTH AMERICAN DATUM OF 1983 (NAD '83), NEVADA STATE PLANE EAST ZONE(2701)

BENCHMARK

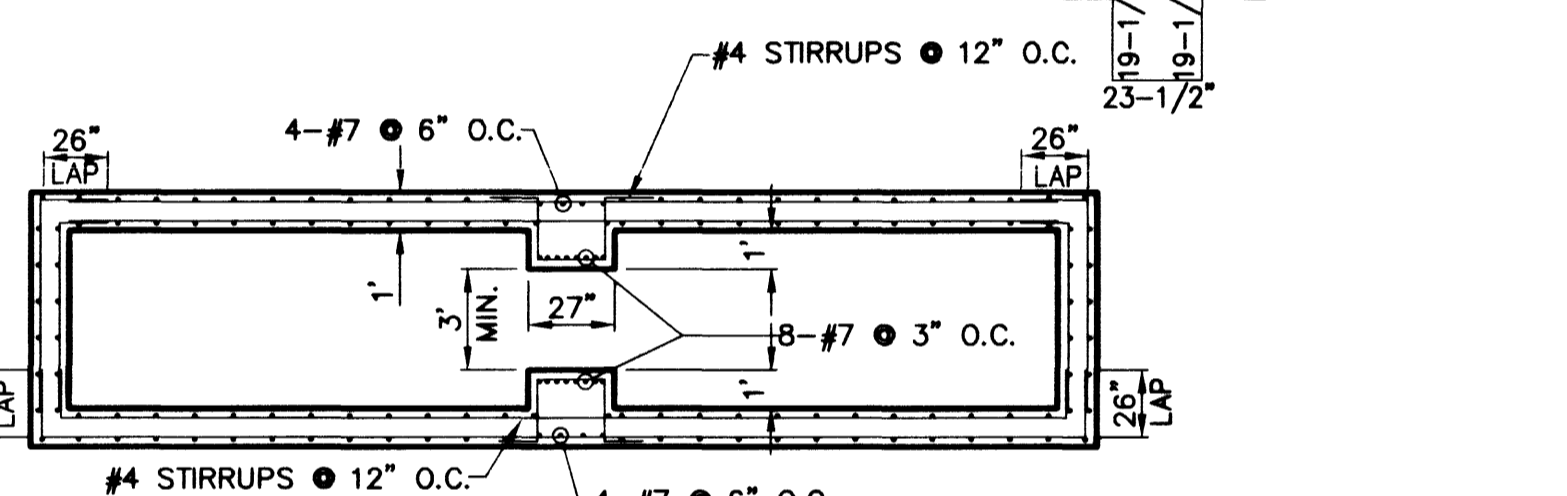
NAVD 88- CLV BENCH 1LV003W4
CLV PIN & PLATE IN TOP OF ELEC. BASE
SOUTH SIDE OF CRAIG RD., 250' +/- EAST
OF BUFFALO DR.
ELEVATION 714.730 METERS, 2344.91 FEET



RCB TRANSITION

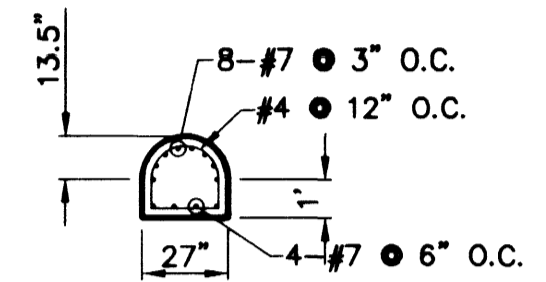


NOTE: FOR BACKFILL & BEDDING SEE SUBSECTION 502.03.20 OF THE SUPPLEMENTAL SPECIFICATIONS.



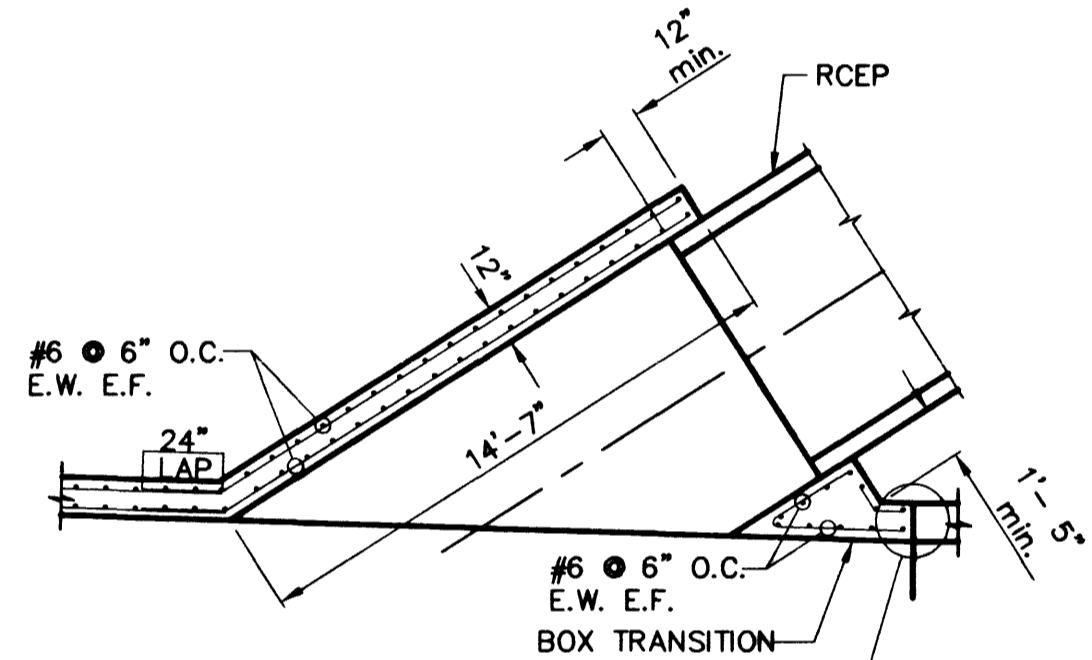
NOTE: FOR BACKFILL & BEDDING SEE SUBSECTION 502.03.20 OF THE SUPPLEMENTAL SPECIFICATIONS.

SECTION B-B



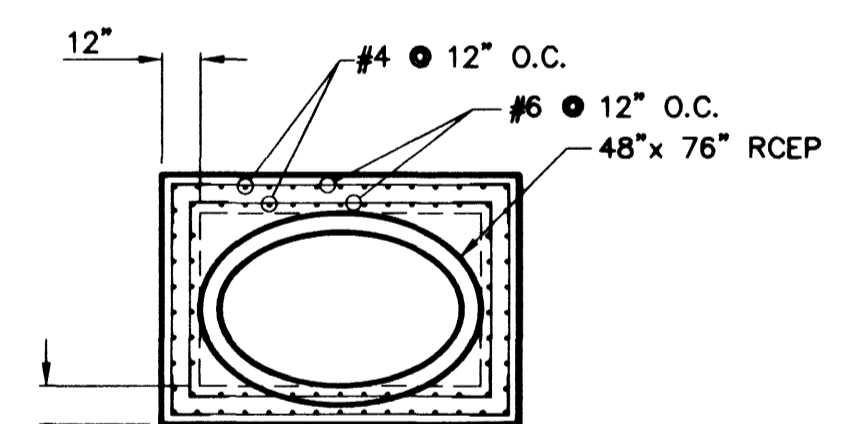
NOTE: LAP RCB REBAR INTO NOSE RADIUS SECTION

DETAIL 1



CONNECT TO BOX CULVERT PER NDOT STD. DWG. B-20.1.8-(502) NOTE #7

DETAIL 2



RCEP CONNECTION SECTION C-C

CIP RCB CONSTRUCTION NOTES:

DESIGN SPECIFICATIONS: AASHTO "STANDARD SPECIFICATIONS FOR HIGHWAY BRIDGES" SIXTEENTH EDITION 1996.

CONSTRUCTION SPECIFICATION: "UNIFORM STANDARD SPECIFICATIONS FOR PUBLIC WORKS CONSTRUCTION OFF-SITE IMPROVEMENTS, CLARK COUNTY AREA, NEVADA", EXCEPT AS NOTED IN THE SPECIAL PROVISIONS FOR THIS CONTRACT.

LIVE LOADS: STANDARD HS 20-44 LOADING

CONCRETE: ALL CONCRETE TO BE CLASS DA-MODIFIED, TYPE V (6.5 SACK MINIMUM, 0.45 WATER/CEMENT RATIO), WITH A TWENTY-EIGHT (28) DAY COMPRESSIVE STRENGTH OF 4,000 P.S.I.

REINFORCING STEEL: ALL REINFORCING STEEL TO BE ASTM A 615 GRADE 60. BOTTOM SLAB REINFORCEMENT SHALL HAVE THREE INCH (3") CLEARANCE. ALL OTHER REINFORCEMENT SHALL HAVE TWO INCH (2") CLEARANCE UNLESS OTHERWISE NOTED ON THE PLANS.

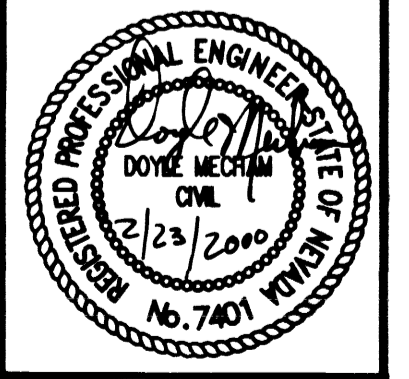
Call before you Overhead

1-702-533-6111
Call before you Dig
1-800-227-2600

CITY OF LAS VEGAS

12' x 5' & 11' x 4' RCB'S
STA. 224+50 TO STA. 226+50

SHEET 7/20/98



SHEET SD-12
48 OF 55 SHEETS
DRAWING NO. 107-V3048

URS Greiner
2785 EAST DESERT INN ROAD
LAS VEGAS, NEVADA 89121
(702)-796-7775 FAX (702)-796-1803

CRAIG ROAD IMPROVEMENTS
BID NO. 00.1730.23

DESIGNED BY: DMS/MRA
CHECKED BY: DM
PROJECT NO: 44300
SCALE:

DATE: 7/20/98

REVISION:

26377