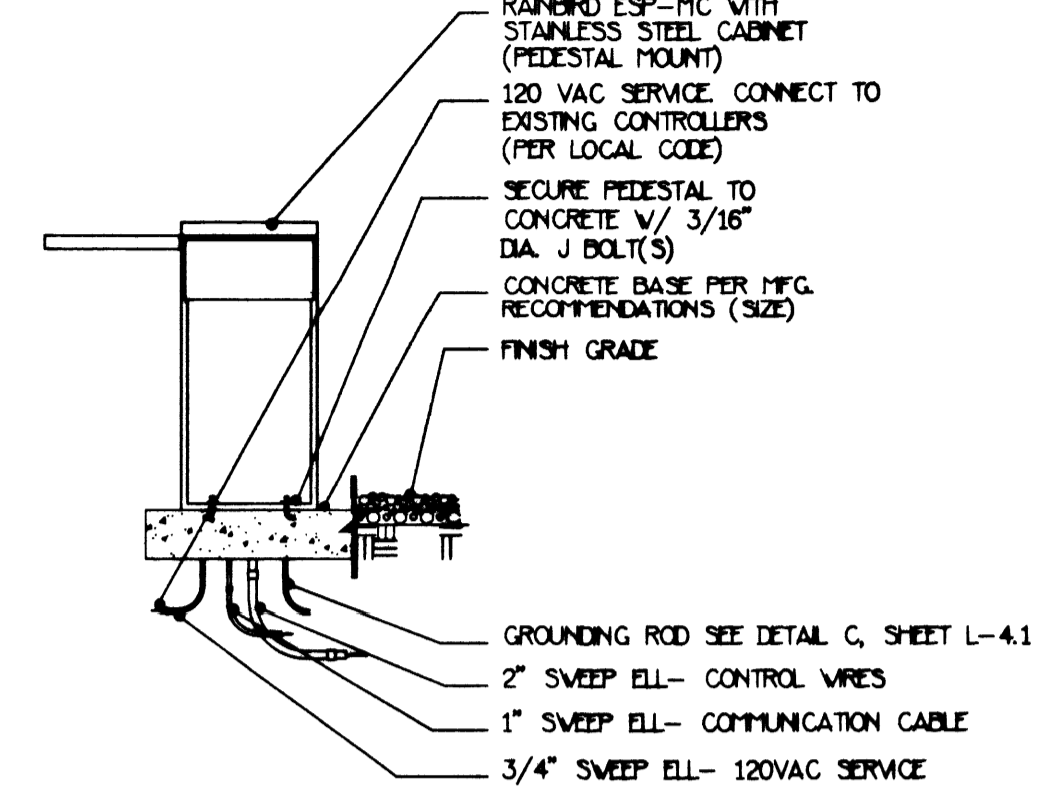
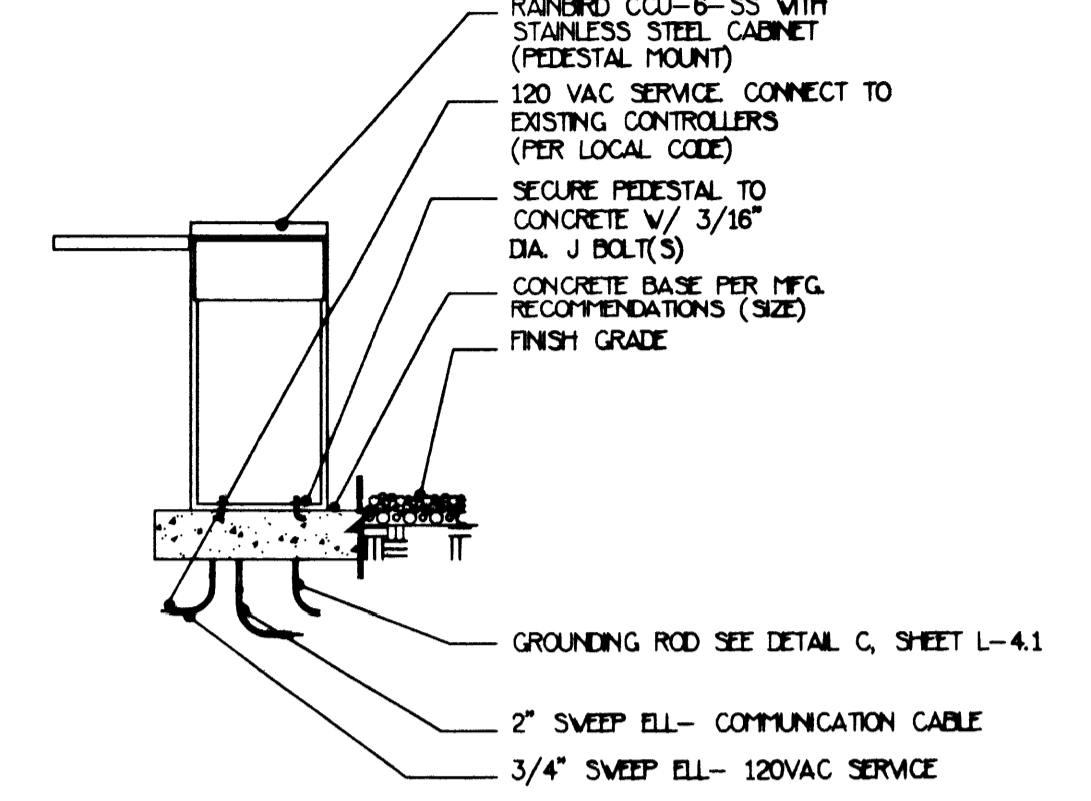


NOTE: CONTRACTOR TO GROUND AND PROVIDE SURGE PROTECTION FOR FIELD UNIT IN ACCORDANCE WITH MANUFACTURER'S RECOMMENDATIONS AND GROUND ROD SHOWN. CONTRACTOR SHALL INSTALL A 30AMP NON-FUSED DISCONNECT AND 120V DUPLEX RECEPTACLE INSIDE PEDESTAL.

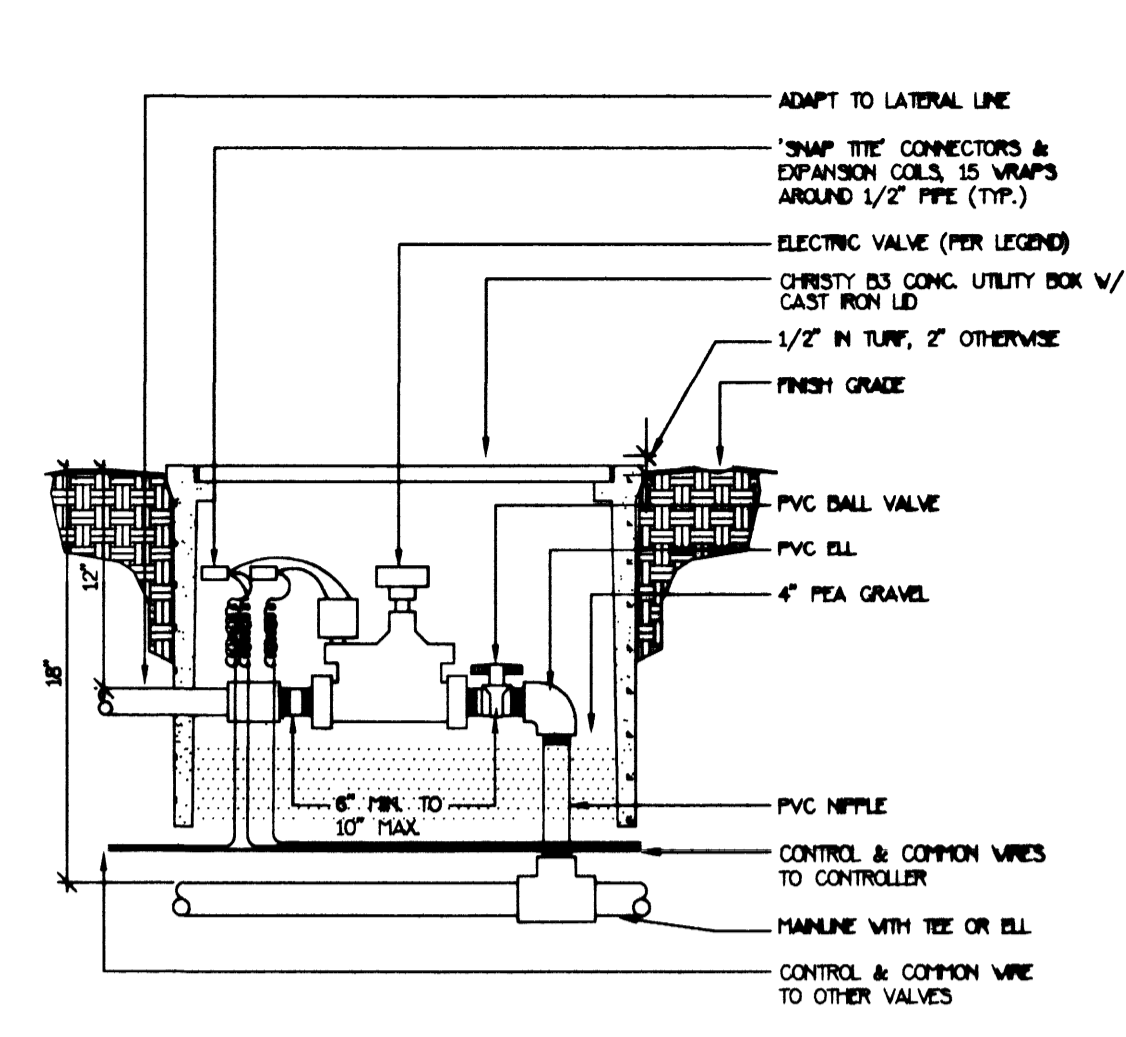


A FIELD SATELLITE CONTROLLER

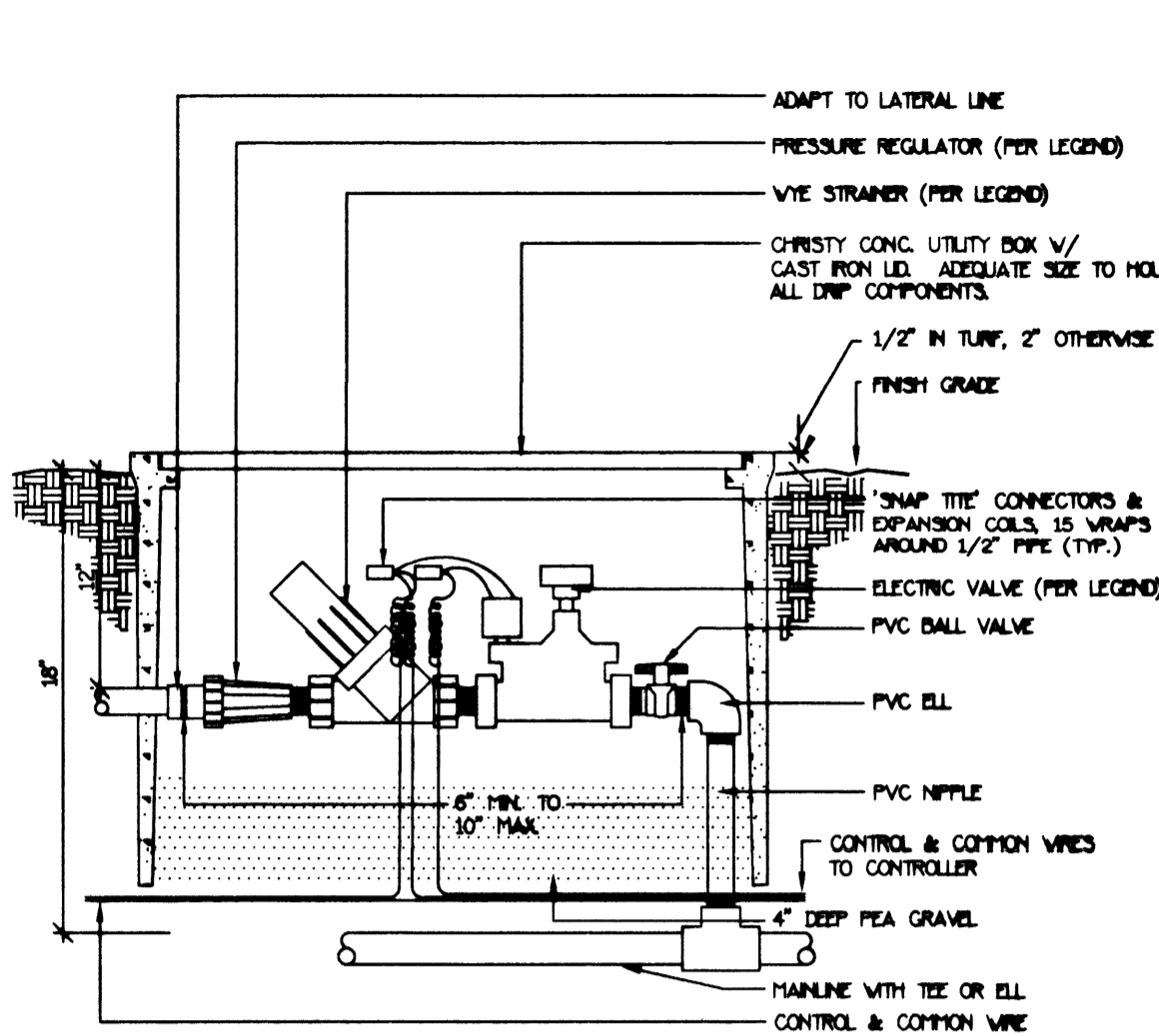
NOTE: CONTRACTOR TO GROUND AND PROVIDE SURGE PROTECTION FOR CCU IN ACCORDANCE WITH MANUFACTURER'S RECOMMENDATIONS AND GROUND ROD SHOWN. CONTRACTOR SHALL INSTALL A 30AMP NON-FUSED DISCONNECT AND 120V DUPLEX RECEPTACLE INSIDE PEDESTAL.



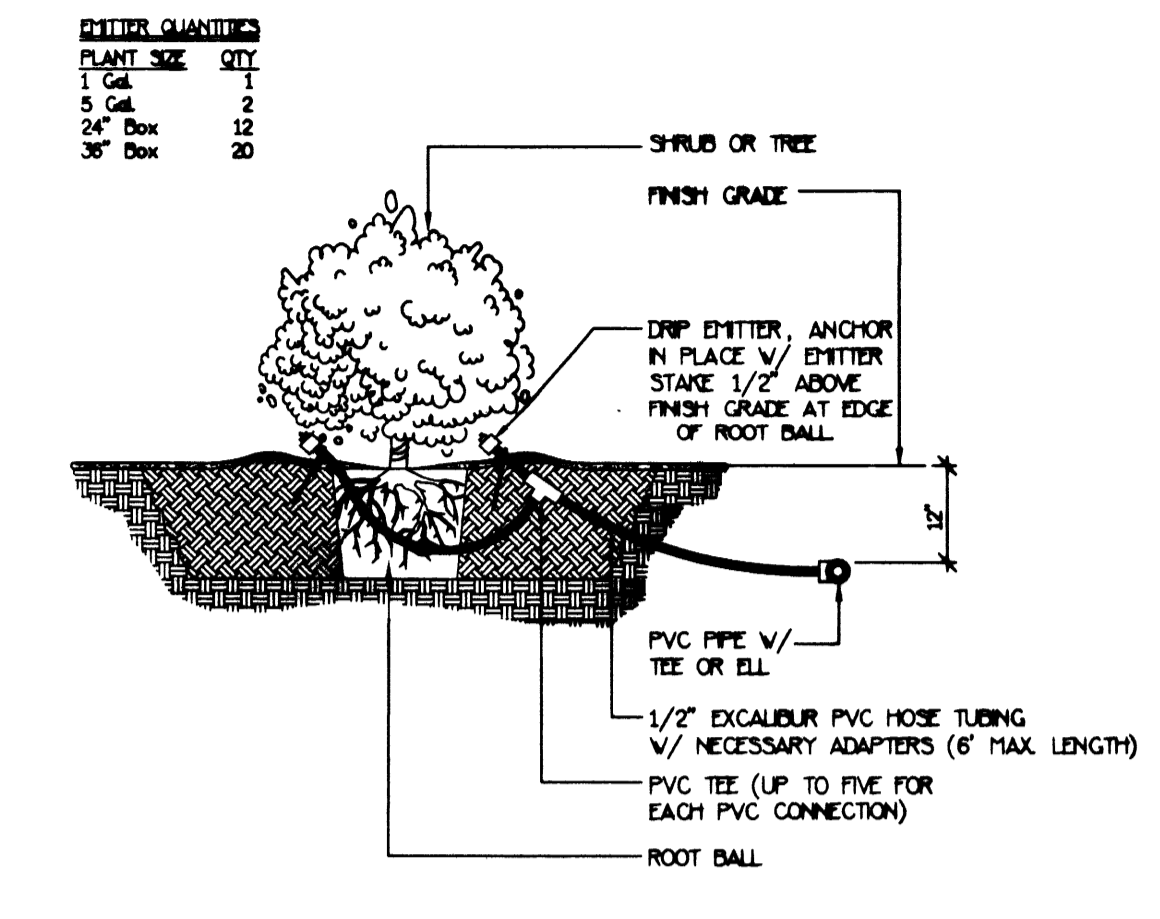
B CLUSTER CONTROL UNIT



C CONTROL VALVE

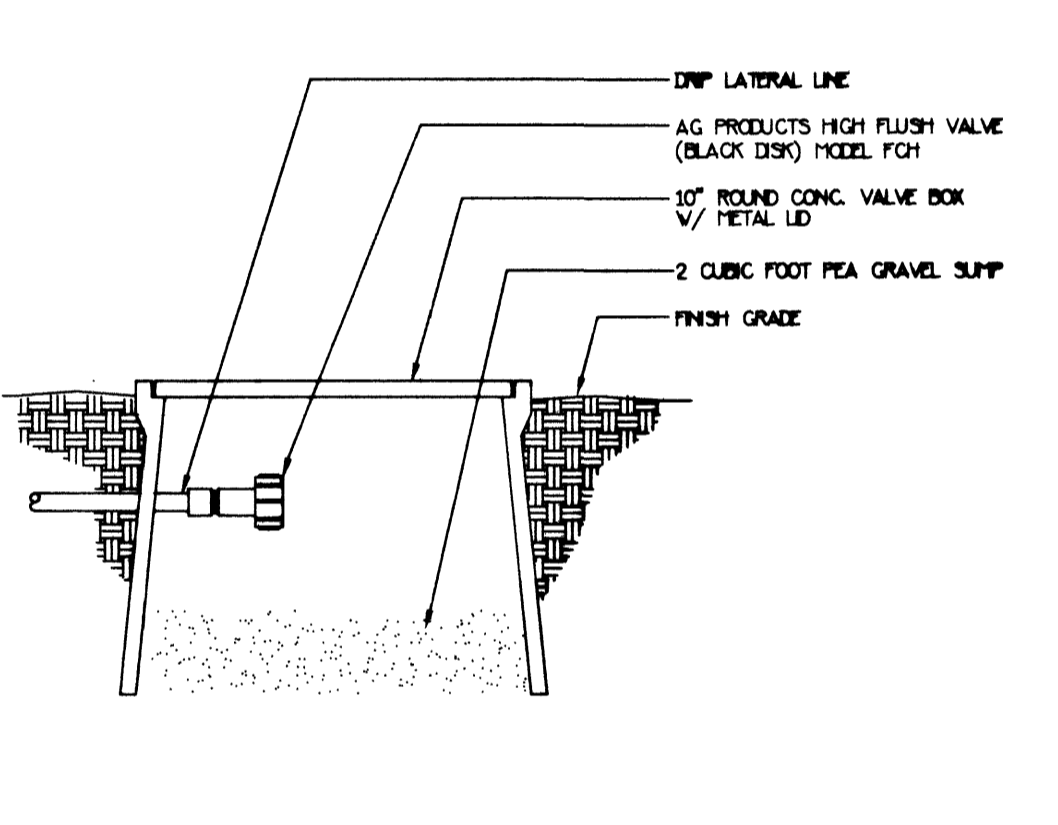


D DRIP VALVE ASSEMBLY

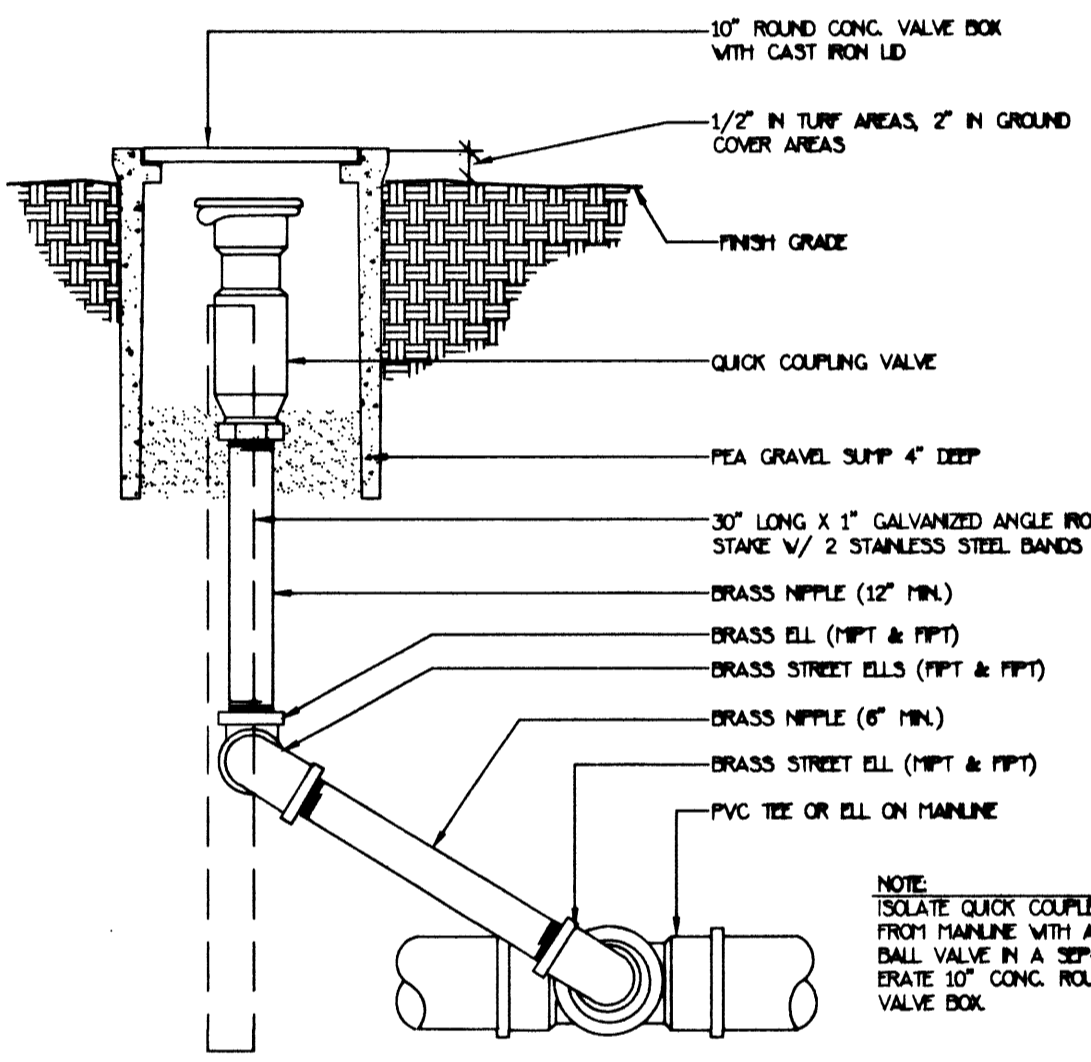


E DRIP EMITTER

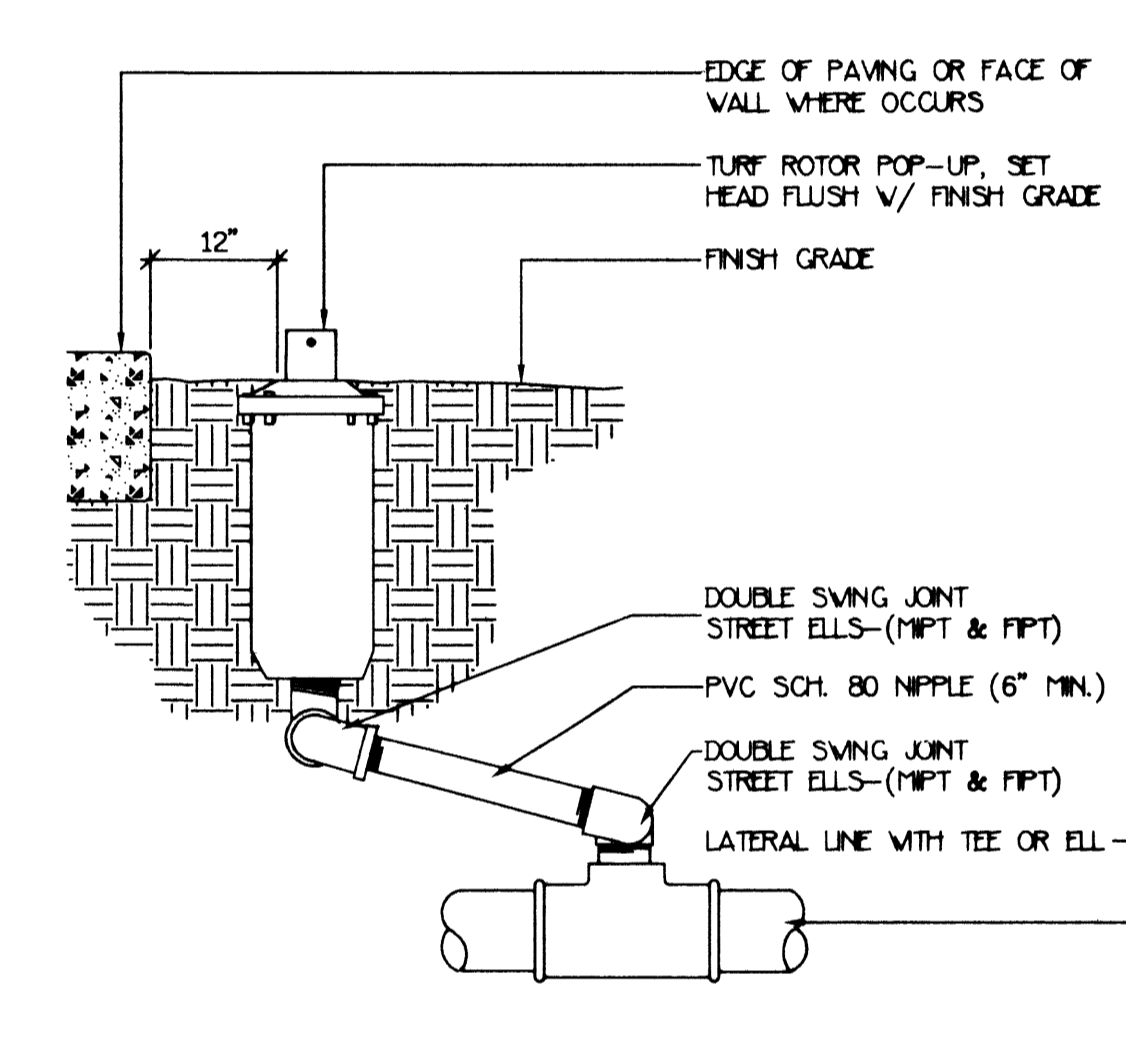
NOTE: INSTALL FLUSH VALVE NEAR THE ROOT BALL OF A TREE OR LARGE SHRUB.



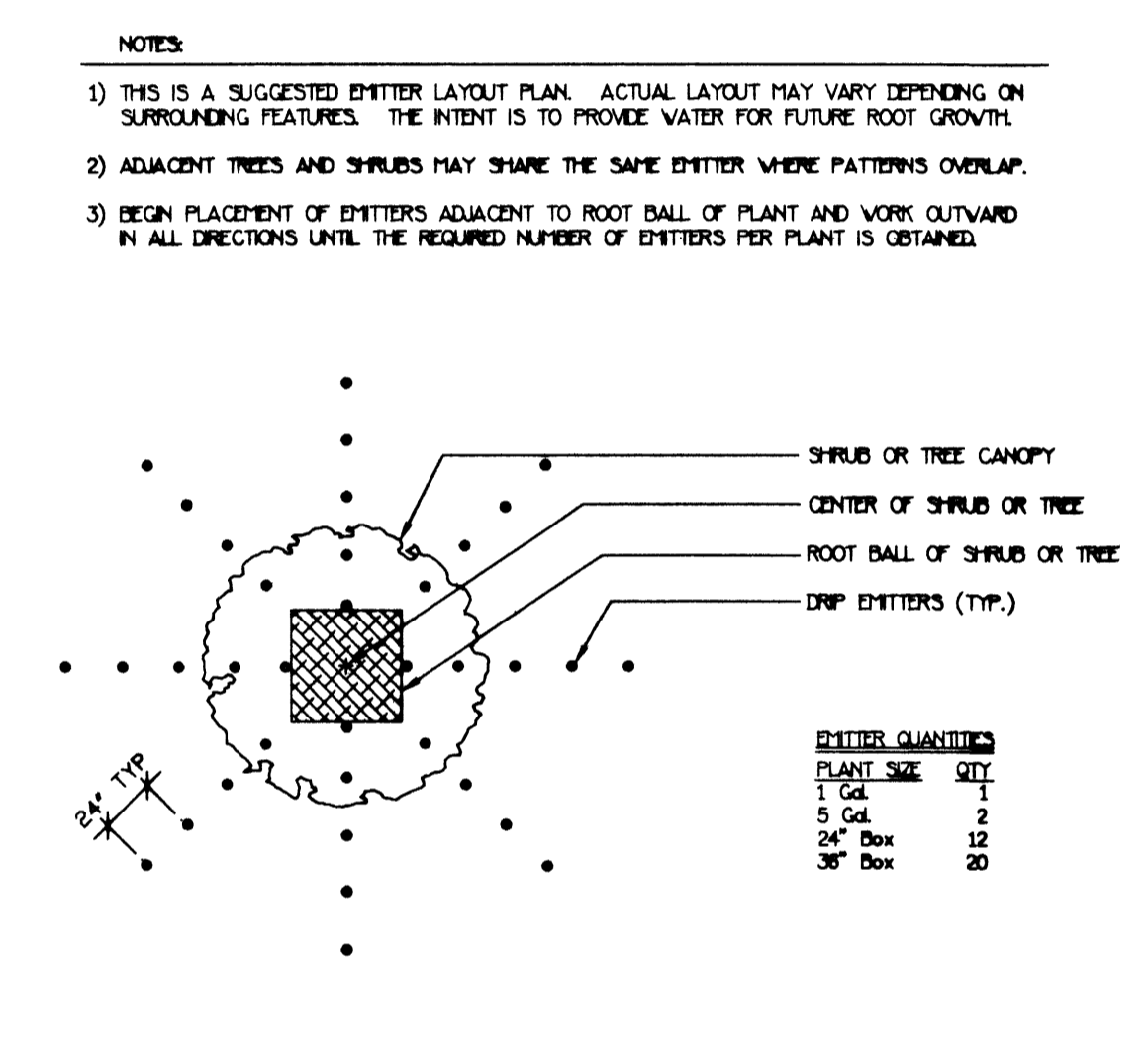
F DRIP FLUSH VALVE



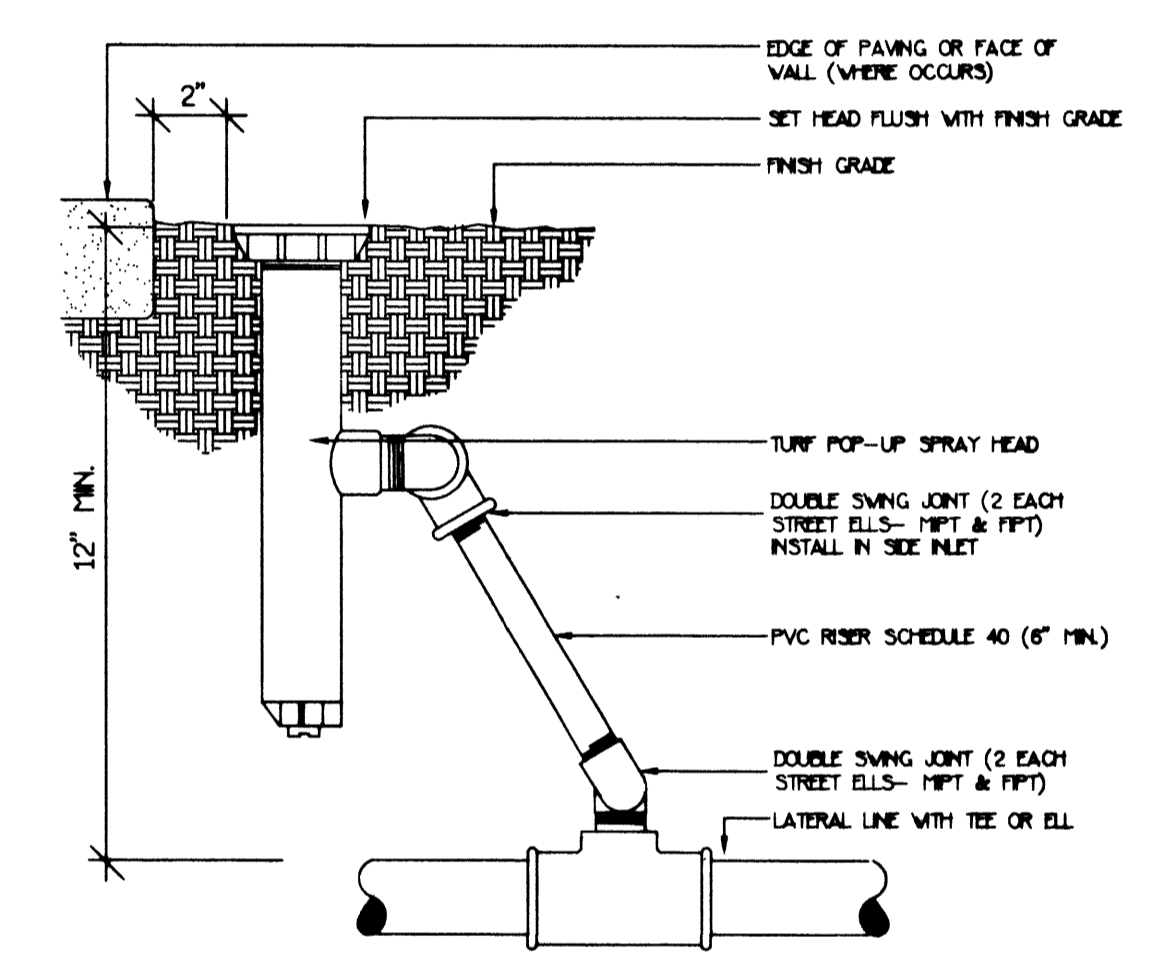
G QUICK COUPLER



H TURF ROTOR HEAD

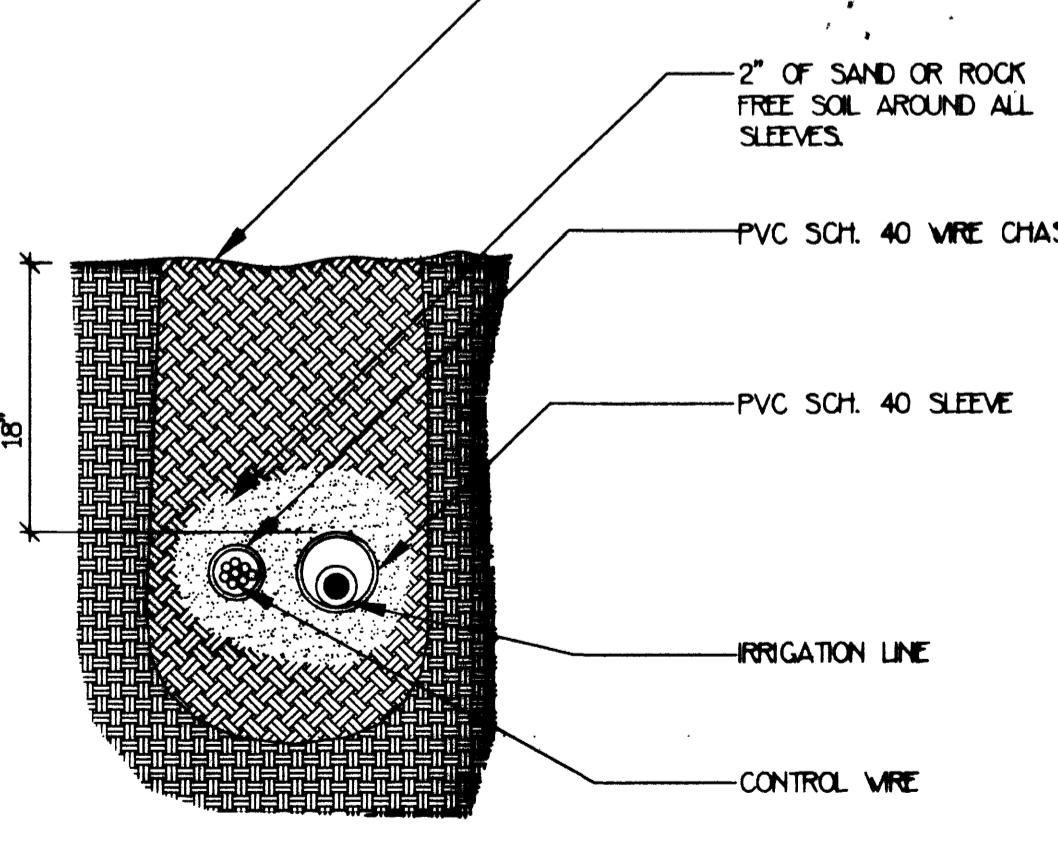


I EMITTER LAYOUT DETAIL



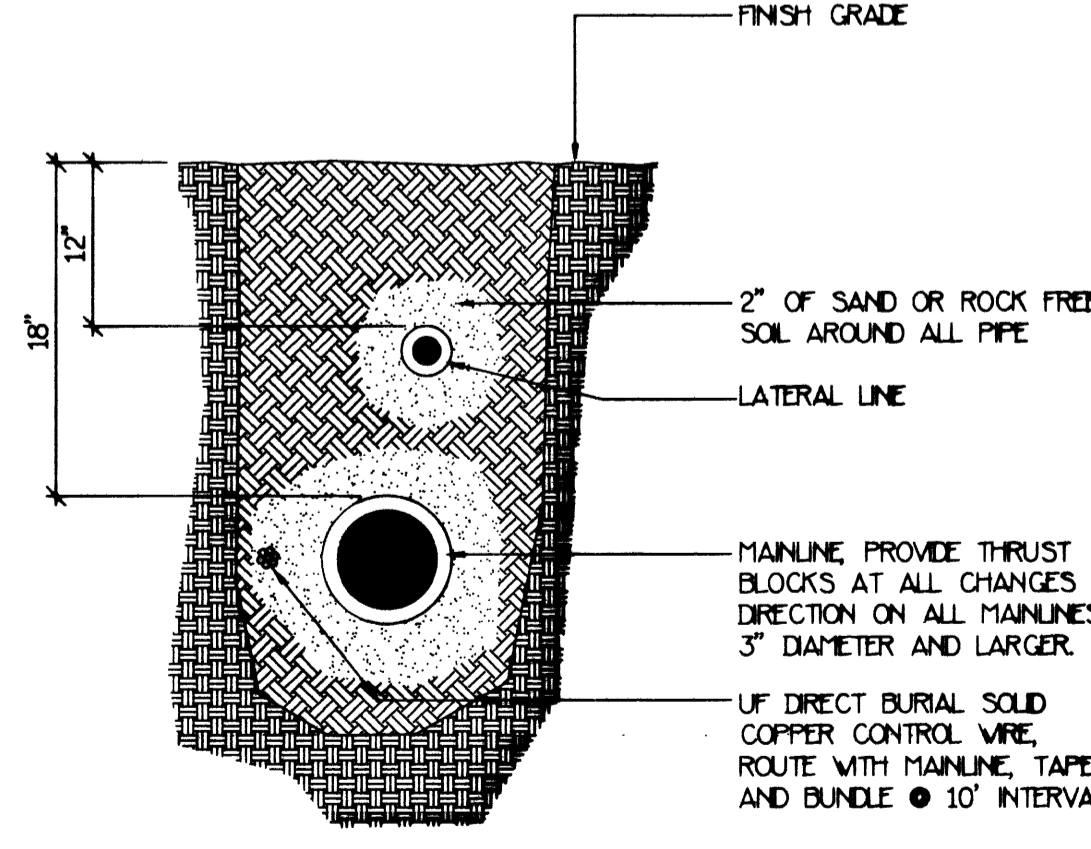
J TURF POP-UP HEAD

NOTE: SLEEVE ALL PIPE AND WIRES UNDER WALKS, DRIVEWAYS, STRUCTURES, WALLS, ETC. SLEEVES TO EXTEND MIN. 18" BEYOND HARDSCAPE.



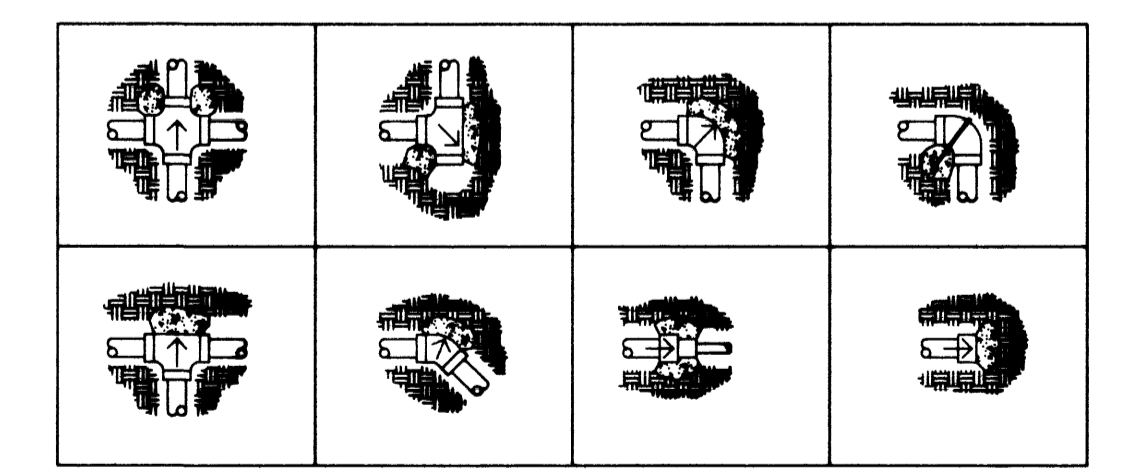
K SLEEVE SECTION

NOTE: PIPE UNDER WALKS, DRIVEWAYS, STRUCTURES, ETC. ARE TO BE SLEEVED.



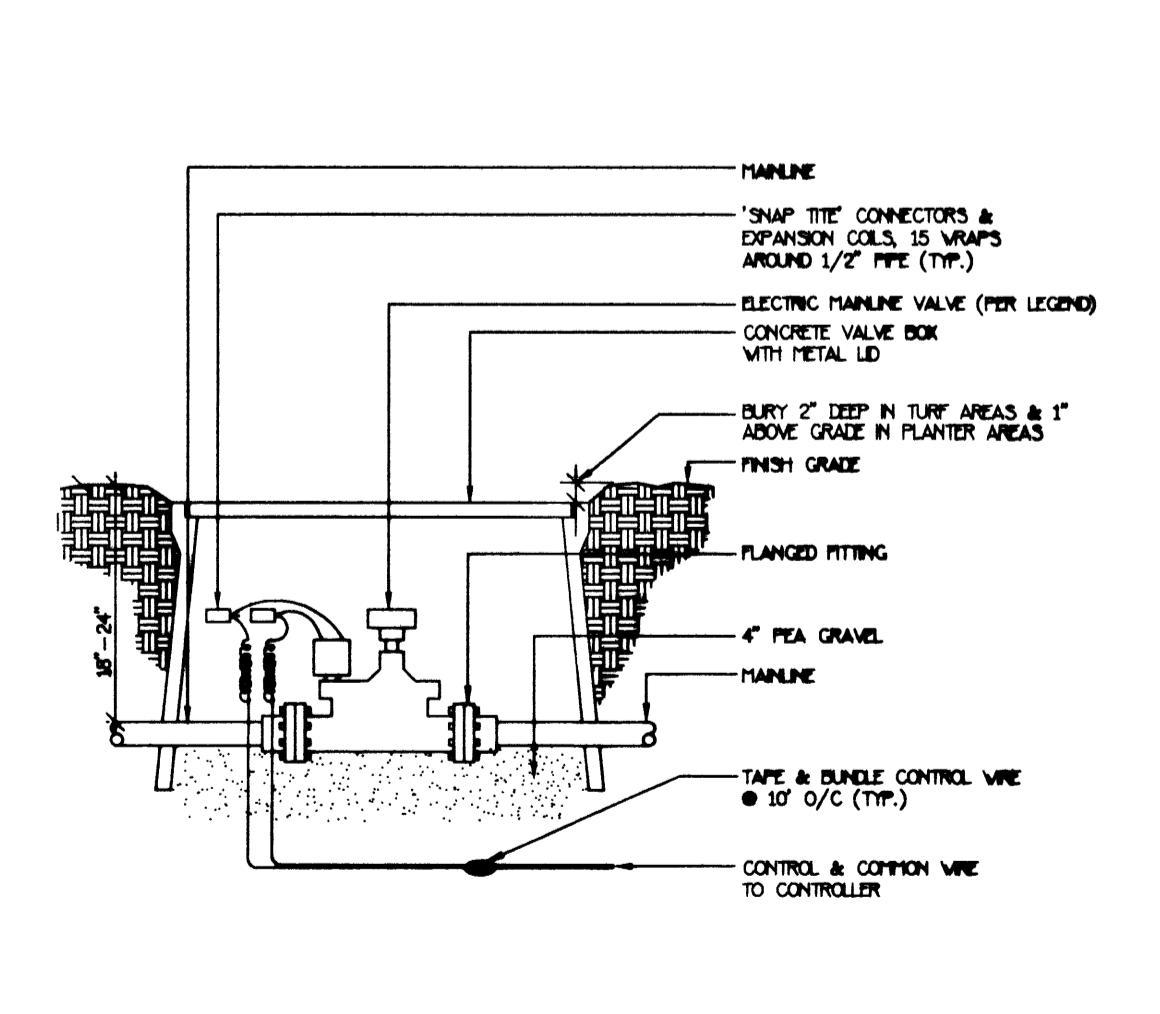
L TRENCH SECTION

NOTES:
1. ALL MAINLINE TO BE INSTALLED AND TESTED ACCORDING TO MANUFACTURER'S INSTALLATION SPECIFICATIONS.
2. ALL TRENCH DEPTHS AND WIDTHS SHALL BE AS PER SPECIFICATIONS.
3. USE NO. 4 REBAR WITH PLASTIC COATING WHEN REQUIRED.
4. THE HORIZONTAL AND VERTICAL DIMENSIONS OF THE THRUST BLOCKS SHALL BE APPROXIMATELY EQUAL.

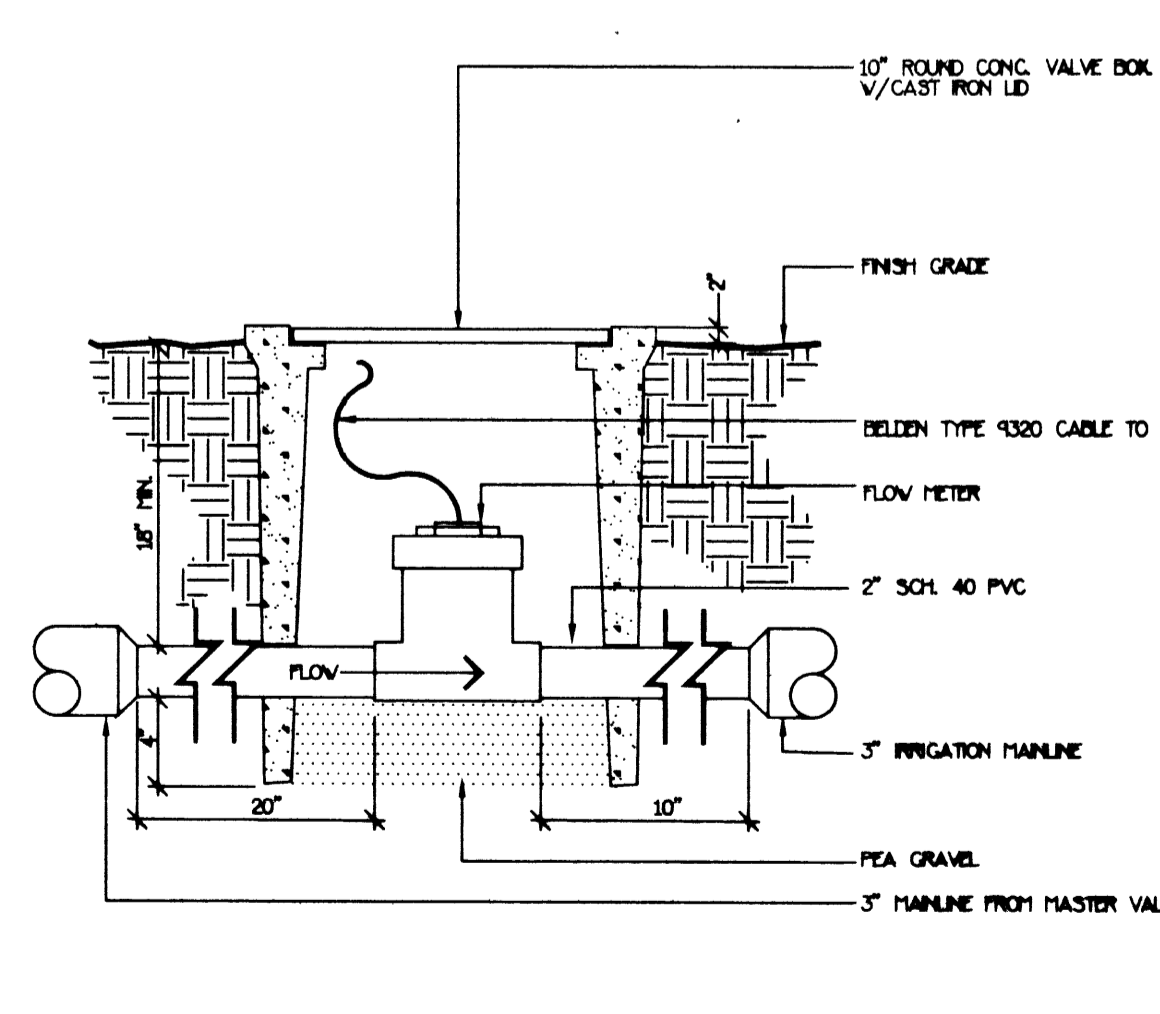


FITTING SIZE	THRUST BLOCK SURFACE AREA AGAINST UNDISTURBED SOIL (SQUARE FEET)				
	90° BEND	45° BEND	22.5° BEND	11.5° BEND	TEE OR DEAD END
3"	1.1	0.6	0.3	0.2	0.8
4"	1.9	1.1	0.5	0.3	1.4
6"	4.0	2.2	1.1	0.6	2.8

M THRUST BLOCK DETAIL



N MASTER VALVE



O FLOW METER DETAIL

REVISIONS / COMMENTS

a division of
Poggenmeyer
Design Group, Inc.
2801 N. Tenaya Way
Las Vegas, Nevada
89108
(702) 265-1084

ARCHITECTS
SOUTHWICK
and ASSOCIATES
LANDSCAPE ARCHITECTS

ANN CIMARRON PARK
A CITY OF LAS VEGAS PROJECT
ANN ROAD AT CIMARRON ROAD
LAS VEGAS, NEVADA

DATE: 7-98
DRAWN BY: EAL
CHECKED BY: SWS
PROJECT NO: 1003005

SHEET
L-3 14

DWG. NO. 650.43

26898

6-30-98
FILE NAME: 1003005.DWG